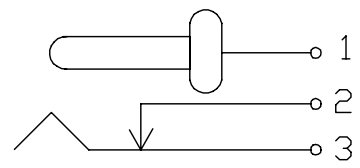
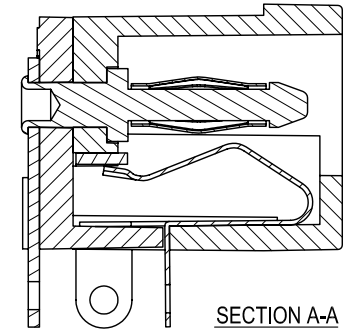
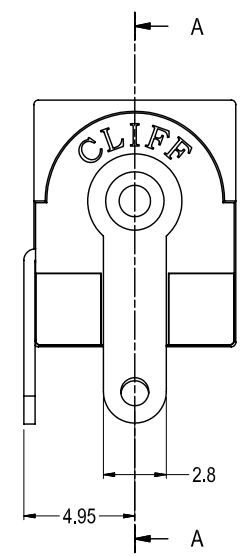
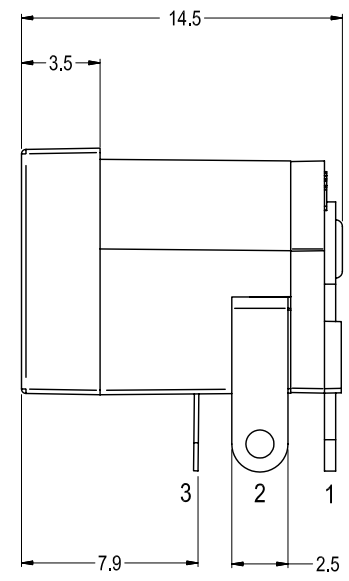
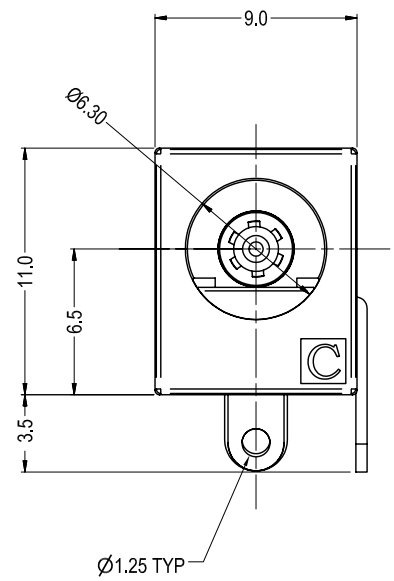
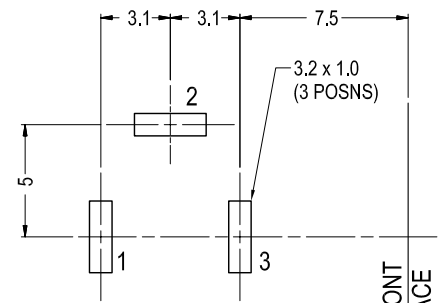


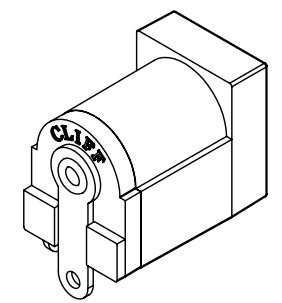
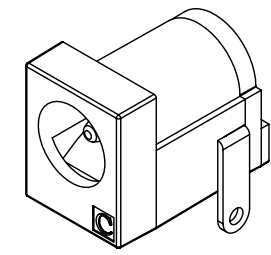
| ISS. | AMEND | DATE |
|------|---------------|----------|
| 1 | ISSUED | 24/08/09 |
| 2 | BORDER UPDATE | 03/09/10 |



SCHEMATIC



**PC LAYOUT
(COMPONENT SIDE)**



NOTES:-

- SUITABLE FOR USE WITH Ø2.1mm OR Ø2.5mm DC PLUG.
- RATED: 5A / 24V DC
LIFE: 5,000 INSERTIONS MINIMUM.
INSULATION RESISTANCE BETWEEN ANY OPEN CONTACT:
>100MΩ @ 500V DC.

| RoHS COMPLIANT | |
|--------------------------|--------|
| TOLERANCE | |
| NO DEC. PLACE | ±0.50 |
| 1 DEC. PLACE | ±0.20 |
| 2 DEC. PLACE | ±0.10 |
| HOLE Ø | ±0.10 |
| ANGLES | ± 1/2° |
| UNLESS OTHERWISE STATED | |

| | | | | |
|---|---|---|----------------------------|---------------|
| Cliff Electronic Components Ltd. 76 Holmetherpe Avenue, Holmetherpe Industrial Estate, Redhill, Surrey, RH1 2PF, England, UK Tel: 01737-771375 Fax: 01737-766012 Website: www.cliffuk.co.uk | DIMENSIONS IN MILLIMETERS UNLESS OTHERWISE STATED. WORK TO DIMENSIONS. REMOVE ALL BURRS. IF IN DOUBT ASK. | | 3rd ANGLE PROJECTION: | DO NOT SCALE |
| | MATERIAL: PBT 15%GF HOUSING | TITLE: DC POWER SOCKET DC10L (SOLDER TAG) | | |
| FINISH: AS MOULDED / TIN PLATED TAGS | DRAWN: N.J.B. | APPROVED: D.P.J. | DRWG. No. FCR681465 | FORM: A4DRWGH |