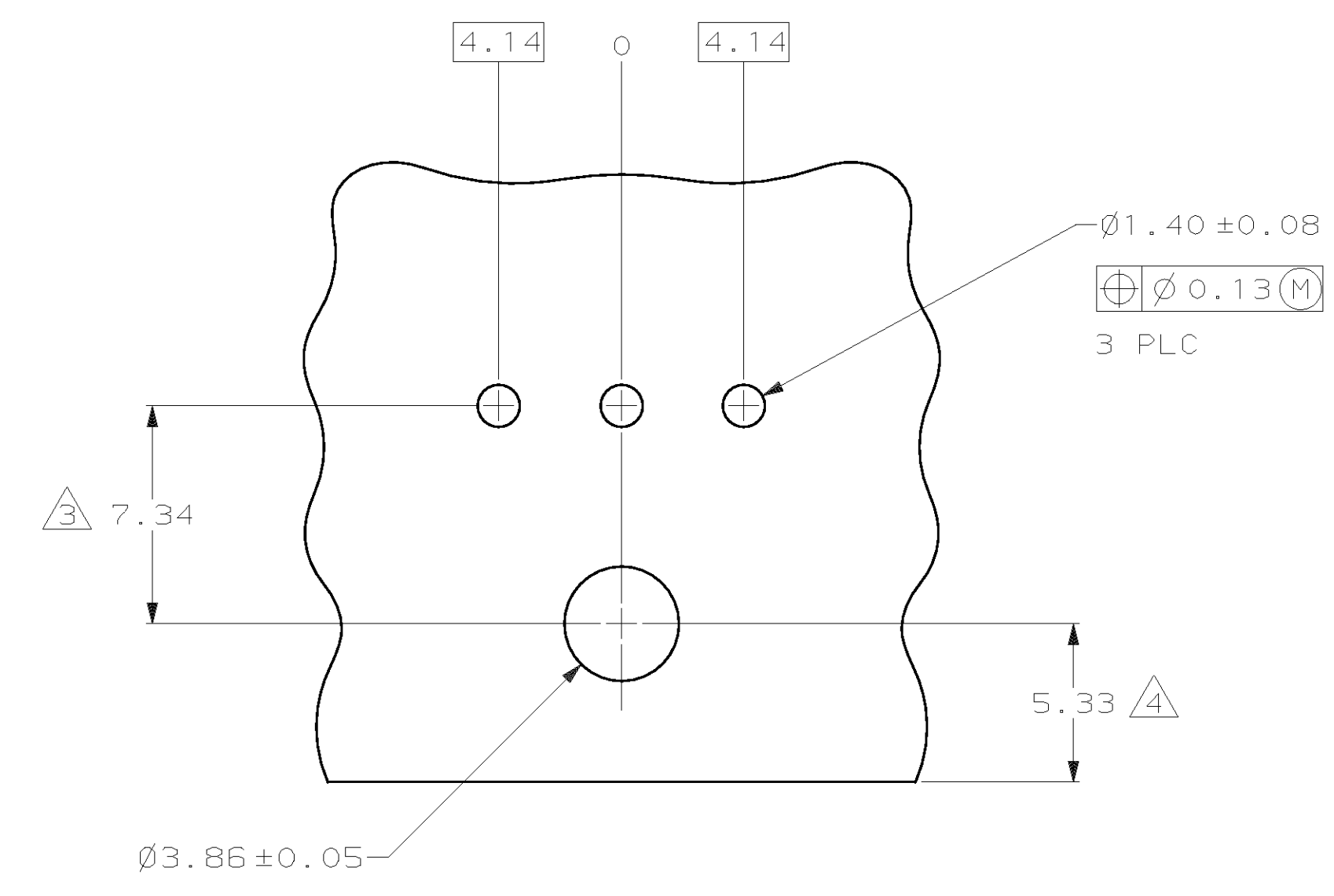
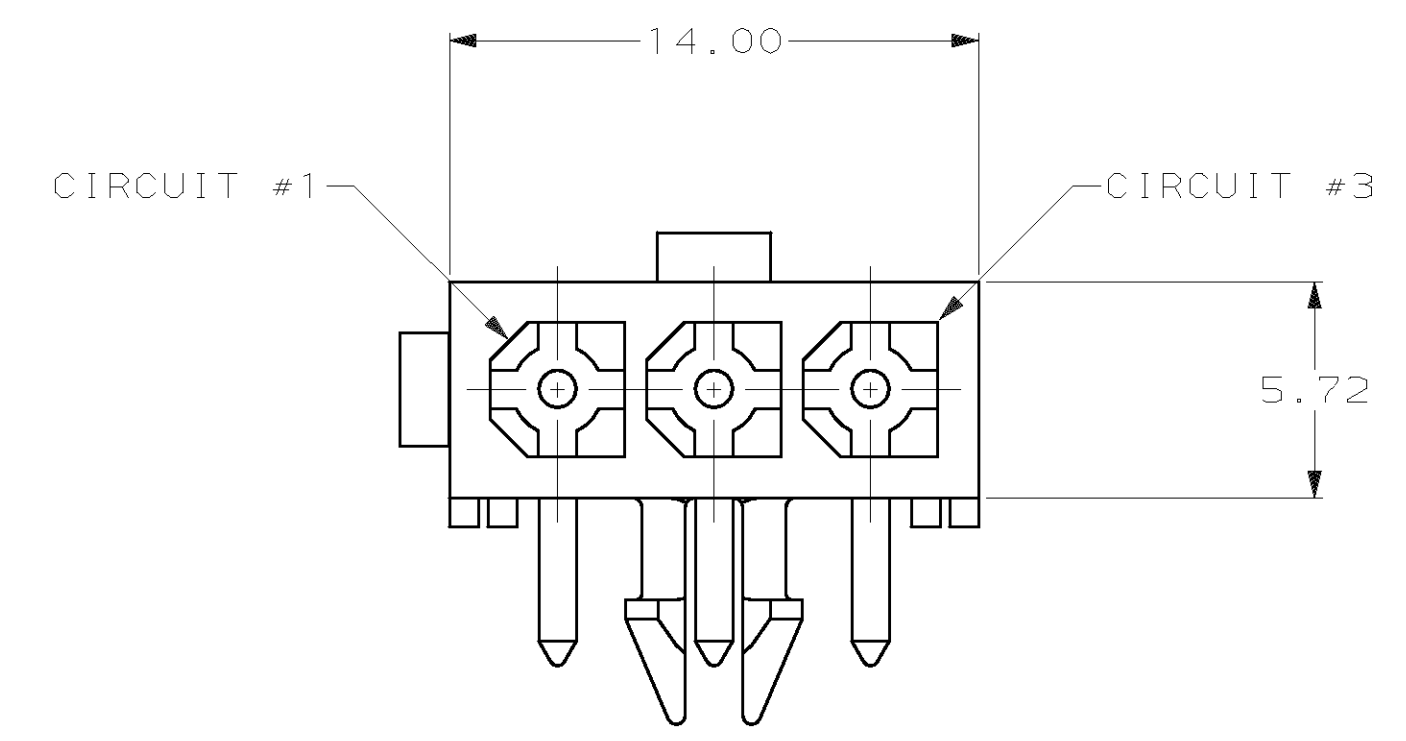
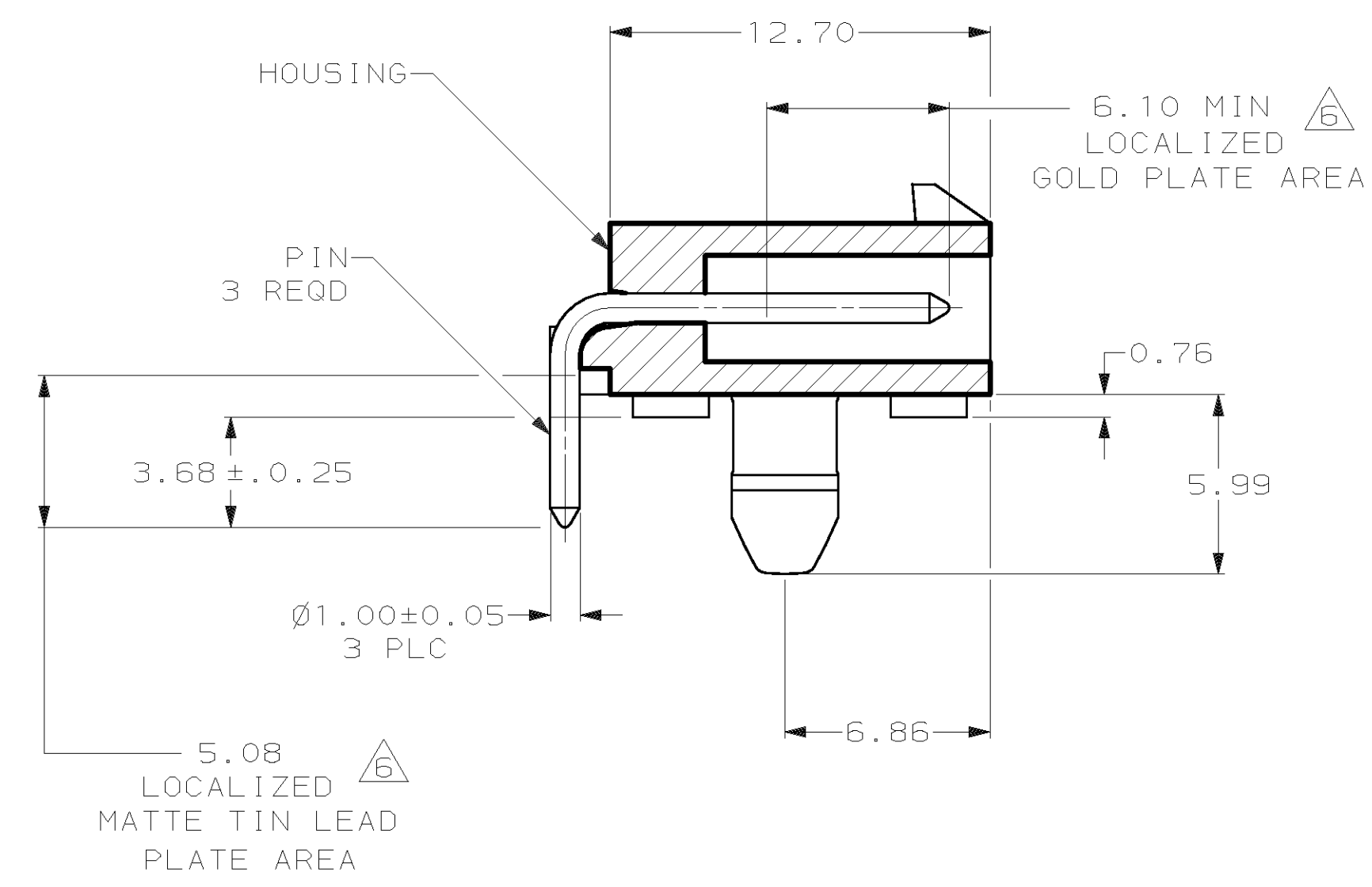


LOC		DIST		P		F		ZONE		LTR		REVISIONS		DATE	APPD	
CM	53												D	REV PER EC 061B-0074-98	4-13-98	JH RS



RECOMMENDED MOUNTING HOLE PATTERN FOR 1.57 THICK P.C. BOARD

- PINS TO COMPLY WITH AMP SOLDERABILITY SPEC 109-11-3.
- MATES WITH PLUG P/N 172166-1.
- COORDINATE DIMENSION APPLIES FROM CENTER OF ACTUAL FEATURE.
- RECOMMENDED FOR EDGE MOUNTING.
- 0.00381 MIN MATTE TIN LEAD OVER 0.00127 MIN NICKEL ENTIRE LENGTH OF PIN.
- 0.00076 MIN GOLD PLATE IN THE LOCALIZED PLATE AREA, 0.00381 MIN MATTE TIN LEAD IN THE LOCALIZED PLATE AREA, BOTH OVER 0.00127 MIN NICKEL.

MM	IN	MM	IN
1.57	.062	14.00	.551
1.40	.055	12.70	.500
1.00	.039	7.34	.289
0.76	.030	6.86	.270
0.25	.010	5.99	.236
0.13	.005	5.72	.225
0.08	.003	5.33	.210
0.05	.002	5.08	.200
0.00381	.000150	4.14	.163
0.00127	.000050	3.86	.152
0.00076	.000030	3.68	.145
MM	IN	MM	IN

CONVERSION TABLE

MATERIAL	FINISH	MATERIAL	COLOR	PART NO
BRASS	△6	NYLON, UL94V-0	WHITE	770967-2
BRASS	△5	NYLON, UL94V-0	WHITE	770967-1

PIN	HOUSING
DR 4-29-92 K. SALMON	AMP INCORPORATED Harrisburg, Pa. 17105
CHK 4-29-92 R. SWING	NAME HEADER ASSEMBLY, RIGHT ANGLE, WITH SHORT PEG, 3 CIRCUIT, MINI UNIVERSAL MATE-N-LOK™
APPD 5-26-92 J. ANDREW	SIZE D
APPD 5-26-92 5-26-92	CAGE CODE 00779
PRODUCT SPEC -	DRAWING NO 770967
APPLICATION SPEC -	SCALE 5:1
WEIGHT -	SHEET 1 OF 1

