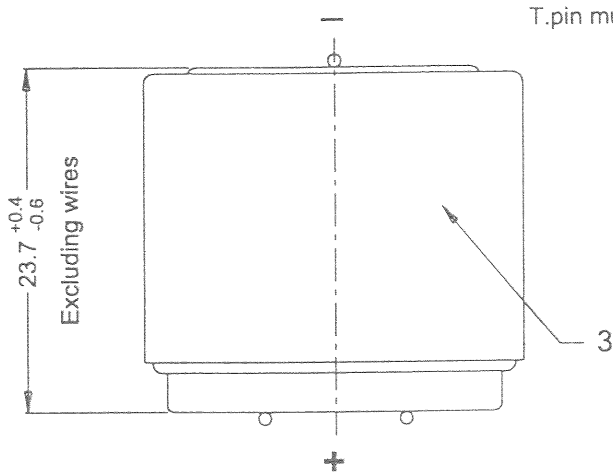
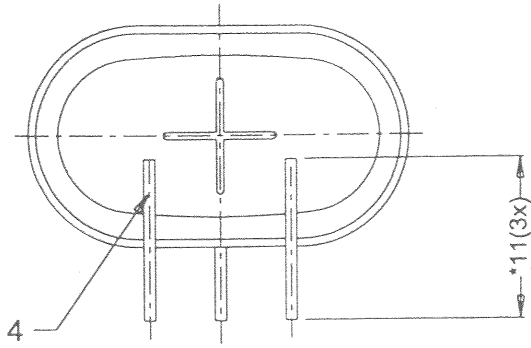
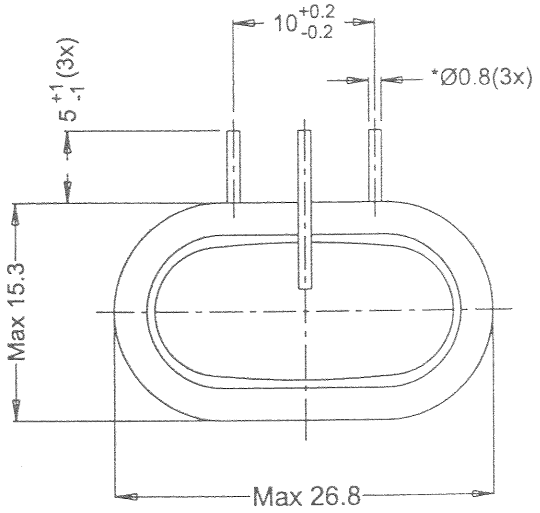
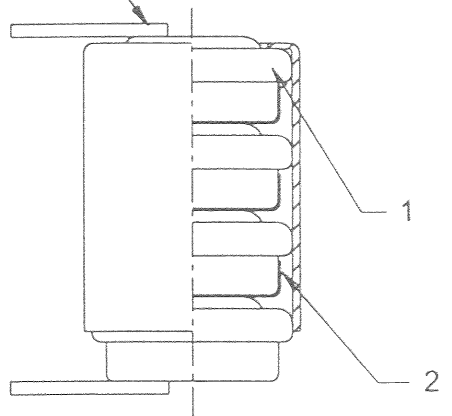


390 7235 3.3



T.pin must not exceed PRV area



THIS PART IS ON  
MGB INVENTORY STATUS  
PLEASE UP-DATE ACCORDINGLY

Note: \*Dimensions for reference only

No.	Alterations:	Date:	Name:	Dimensions in mm	Material:	
				Tolerance: As specified		Refer to part list no: 064147
				Projection:	Description:  4V110HT battery with Casing & terminal pin	
			Scale: 2 : 1			
			Date:	Name:		
			Prepared: 2001-02-26	Yeni		
			Approved: 2001-05-25			
RIGHTS RESERVED TO MAKE TECHNICAL CHANGES, AS A RESULT OF FURTHER DEVELOPMENT, WITHOUT NOTICE. THIS DRAWING IS THE PROPERTY OF VARTA BATTERIES PTE LTD AND MUST NOT BE COPIED OR DISCLOSED TO A THIRD PARTY WITHOUT THE WRITTEN CONSENT OF VARTA BATTERIES PTE LTD.					Dwg. No: 064147 <span style="float: right;">400</span>	
					VKB Order No: 55711 604 800	
Distribution: 0, 1.1, 2.1, 2.2, 2.3, 3.3.					Released : 02-26-2001	