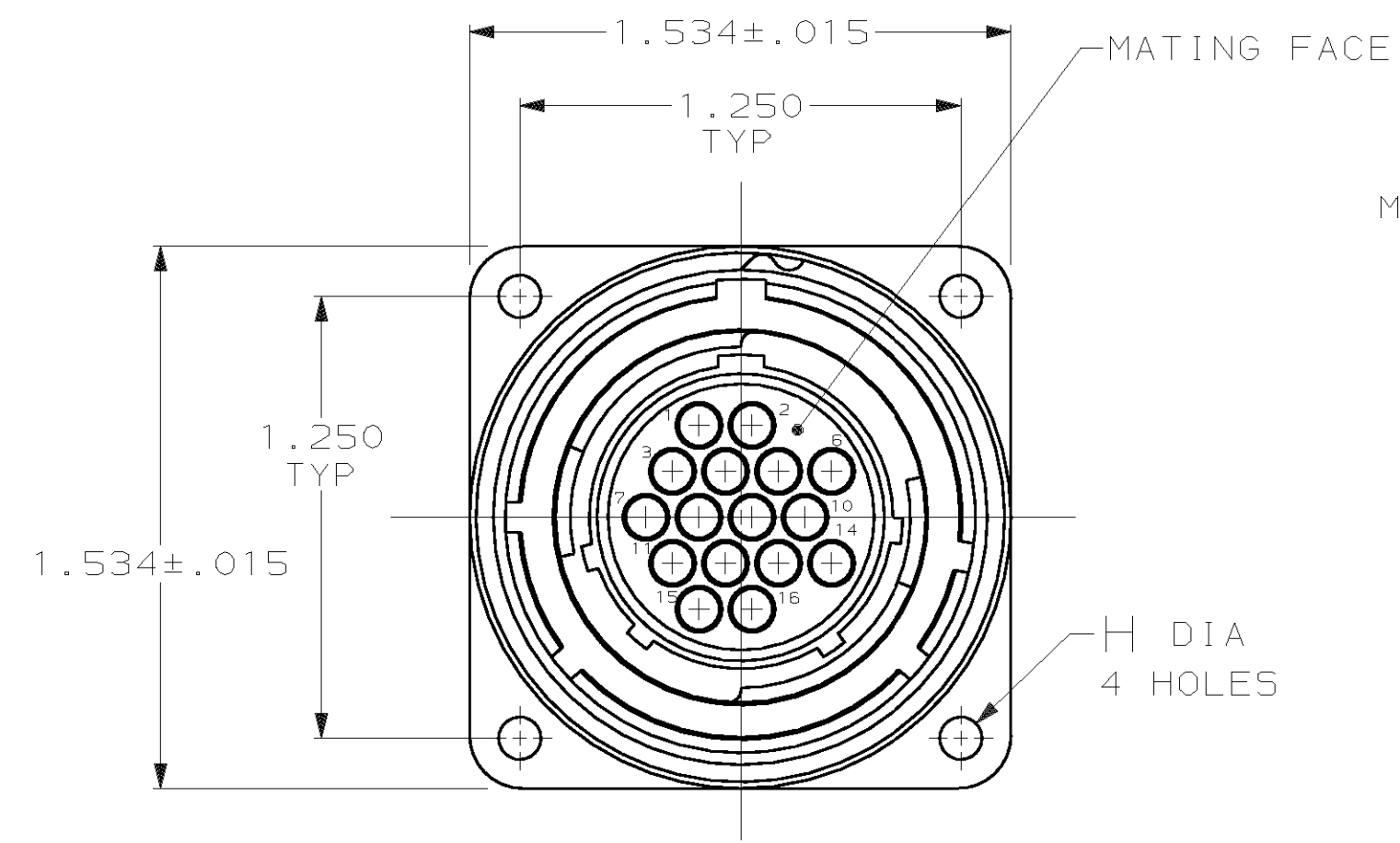


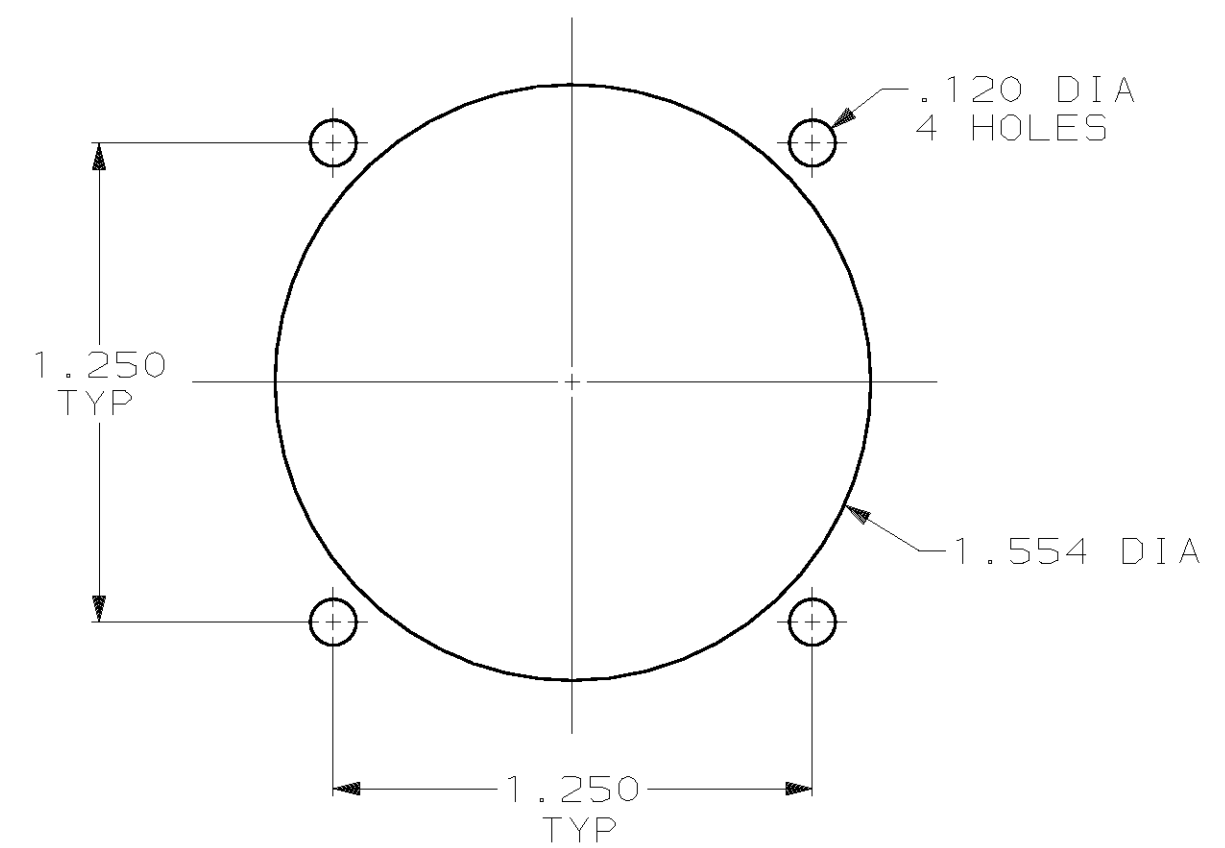
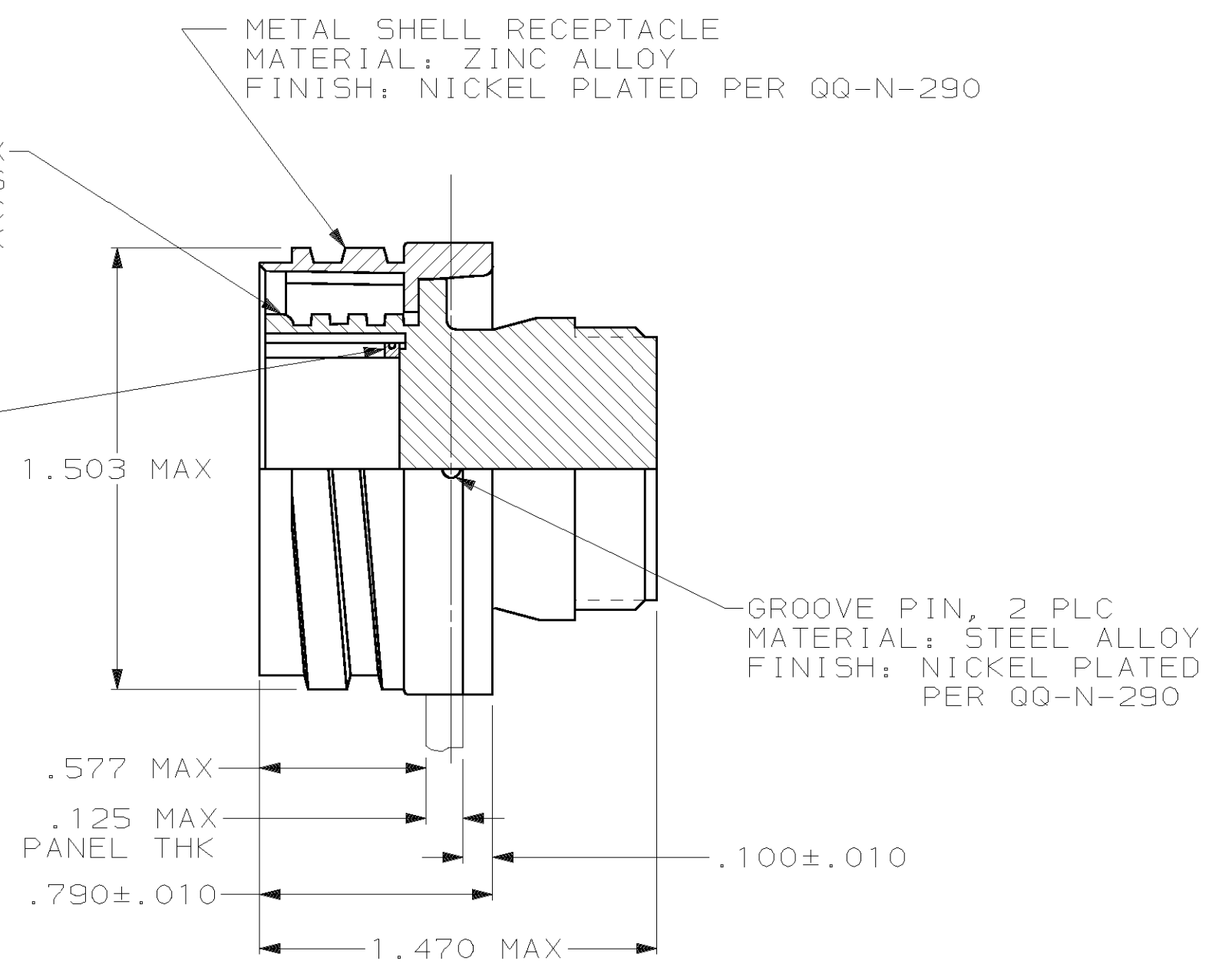
THIS DRAWING IS UNPUBLISHED. RELEASED FOR PUBLICATION  
 © COPYRIGHT 19 BY AMP INCORPORATED. ALL INTERNATIONAL RIGHTS RESERVED.

LOC		DIST		ZONE		LTR		REVISIONS		DATE	APPD
FT	0	P	F			M		REVISE PER ECN 0G3B-0217-99	25AUG00	SU/MC	

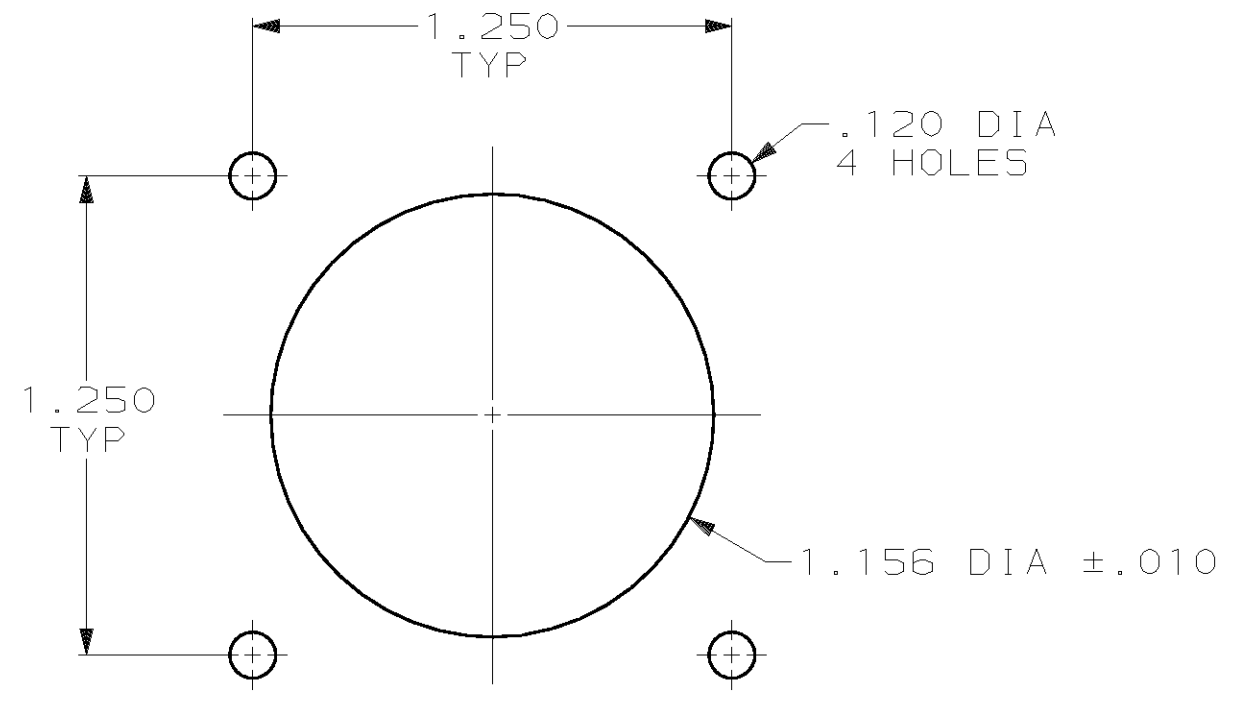


RECEPTACLE, STD SEX  
 ARRANGEMENT 17-16  
 MATERIAL: THERMOPLASTIC  
 COLOR: BLACK

PERIPHERAL SEAL  
 SEE TABLE



REAR MOUNTED PANEL CUTOUT



FRONT MOUNTED PANEL CUTOUT

PRELIMINARY	M3 X 0.5	NO	208489-4
OBSOLETE	.120	YES	208489-2
	.120	NO	208489-1
H	PERIPHERAL SEAL	PART NUMBER	

- 208489-1 MATES WITH AMP PLUG 208488-1 OR -3.  
 208489-2 MATES WITH 208488-1 ONLY.
- THIS RECEPTACLE ACCEPTS SIXTEEN (16) MULTIMATE PIN CONTACTS. MAXIMUM WIRE INSULATION DIAMETER = .105.
- AMP PART NUMBER AND DATE CODE LOCATED ON EDGE OF FLANGE.

DO NOT SCALE PRINT. UNLESS SPECIFIED DIMENSIONS IN INCHES TOLERANCES ON :	DR 6-28-91 R.LEE BG	AMP Incorporated Harrisburg, PA 17105-3608	
2 PLC DEC ± - 3 PLC DEC ± .005 ANGLES ± -	CHK 4-15-92 W.G.LENKER		
MATERIAL	APPD 4-15-92 K.BEAVER	NAME	
SEE CALLOUT	APPD 4-15-92 C.ROHDE	RECEPTACLE ASSEMBLY, STD SEX, SERIES 1, 22-16, CMC	
FINISH	PRODUCT SPEC 108-10040	SIZE	CAGE CODE
SEE CALLOUT	APPLICATION SPEC -	C	00779
WEIGHT	-	SCALE	DRAWING NO
		2:1	208489
			SHEET 1 OF 1