

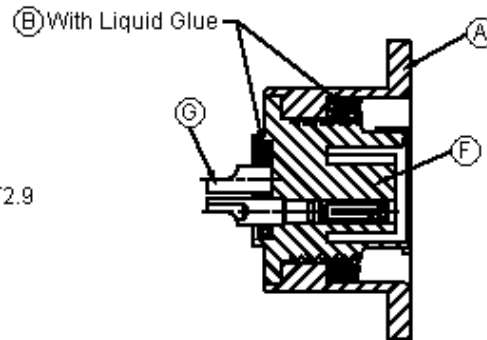
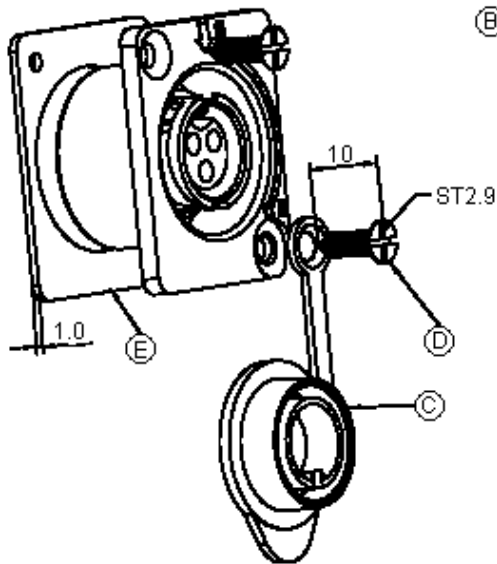
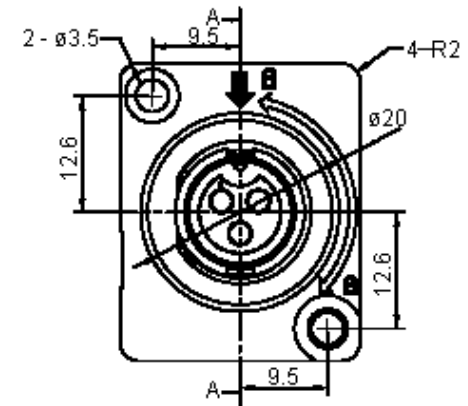
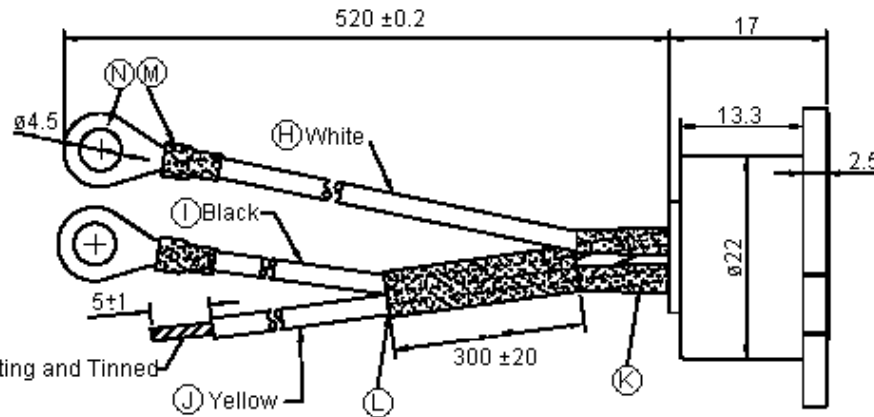
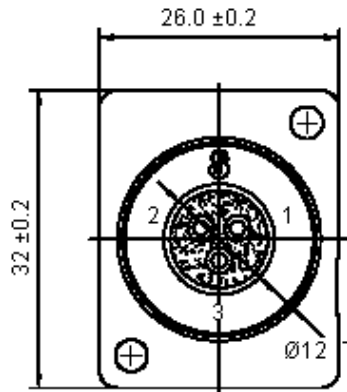


PART NO.

2CT3020-W034A1

REVISIONS

ECN #	REV	DESCRIPTION	DRAWN	DATE	CHECKD	DATE	APPRVD	DATE
-	A	RELEASED	Veena	28/01/11	Jagan	27/01/11	Farnell	11/02/11



PIN Assignments  
Front View

Dimensions : Millimetres

This data sheet and its contents (the "Information") belong to the Premier Farnell Group (the "Group") or are licensed to it. No licence is granted for the use of it other than for information purposes in connection with the products to which it relates. No licence of any intellectual property rights is granted. The Information is subject to change without notice and replaces all data sheets previously supplied. The Information supplied is believed to be accurate but the Group assumes no responsibility for its accuracy or completeness, any error in or omission from it or for any use made of it. Users of this data sheet should check for themselves the Information and the suitability of the products for their purpose and not make any assumptions based on information included or omitted. Liability for loss or damage resulting from any reliance on the Information or use of it (including liability resulting from negligence or where the Group was aware of the possibility of such loss or damage arising) is excluded. This will not operate to limit or restrict the Group's liability for death or personal injury resulting from its negligence. SPC MULTICOMP is the registered trademark of the Group. © Premier Farnell plc 2011.

TOLERANCES:  
UNLESS OTHERWISE SPECIFIED, DIMENSIONS ARE FOR REFERENCE PURPOSES ONLY.

DRAWN BY:	DATE:
Veena	28/01/11
CHECKED BY:	DATE:
Jagan	28/01/11
APPROVED BY:	DATE:
Farnell	11/02/11

DRAWING TITLE:			
Panel Mount Socket - 10A, IP55, 3 WAY			
SIZE A	DWG NO. M10002712	ELECTRONIC FILE 1860737	REV A
SCALE: NTS	U.O.M.: mm	SHEET: 1 OF 2	



PART NO.

2CT3020-W034A1

REVISIONS

ECN #	REV	DESCRIPTION	DRAWN	DATE	CHECKD	DATE	APPRVD	DATE
-	A	RELEASED	Veena	28/01/11	Jagan	27/01/11	Farnell	11/02/11

**Specifications:**

Waterproof rate : IP67  
 IP67 : Immersed in 1m water for 30 minutes

**Electrical characteristics :**

Temperature range : 40°C to + 100°C  
 Current rating : 102A  
 Dielectric withstanding voltage : 1000V ac for one minute

To conform to Singatron hazardous substance free specification

Panel thickness: 4.0mm (maximum)

**Specifications Table**

Item	Description	Material	Plating and Colour
A	Housing	Nylon + GF	Black
B	Liquid glue	-	
C	Dust cap	Hytrel 4056	
D	Screen	Stainless steel	N/A
E	Gasket	EPMD 70o	Black
F	Panel body	Nylon + GF	
G	Female pin	Phosphor Bronze	1µ inches gold plating over nickel plating
H	Wire	18AWG L-520	White
I	Wire	18AWG L-520	Black
J	Wire	18AWG L-520	Yellow
K	Shrink tube	Ø3.0 x 10mm	Black
L	Shrink tube	Ø6.0 x 300mm	
M	Shrink tube	Ø4.0 x 15mm	
N	Terminal	Ø4.0 x Ø8.0	Tin plating

**Part Number Table**

Description	Part Number
Socket, Square Panel, 10A, 3 Way, IP55	2CT3020-W034A1

<http://www.farnell.com>  
<http://www.newark.com>  
<http://www.cpc.co.uk>

This data sheet and its contents (the "Information") belong to the Premier Farnell Group (the "Group") or are licensed to it. No licence is granted for the use of it other than for information purposes in connection with the products to which it relates. No licence of any intellectual property rights is granted. The Information is subject to change without notice and replaces all data sheets previously supplied. The Information supplied is believed to be accurate but the Group assumes no responsibility for its accuracy or completeness, any error in or omission from it or for any use made of it. Users of this data sheet should check for themselves the Information and the suitability of the products for their purpose and not make any assumptions based on information included or omitted. Liability for loss or damage resulting from any reliance on the Information or use of it (including liability resulting from negligence or where the Group was aware of the possibility of such loss or damage arising) is excluded. This will not operate to limit or restrict the Group's liability for death or personal injury resulting from its negligence. SPC MULTICOMP is the registered trademark of the Group. © Premier Farnell plc 2011.

**TOLERANCES:  
 UNLESS OTHERWISE SPECIFIED,  
 DIMENSIONS ARE FOR REFERENCE PURPOSES ONLY.**

DRAWN BY:	DATE:
Veena	28/01/11
CHECKED BY:	DATE:
Jagan	28/01/11
APPROVED BY:	DATE:
Farnell	11/02/11

DRAWING TITLE:			
Panel Mount Socket - 10A, IP55, 3 WAY			
SIZE	DWG NO.	ELECTRONIC FILE	REV
A	M10002712	1860737	A
SCALE: NTS		U.O.M.: mm	SHEET: 2 OF 2