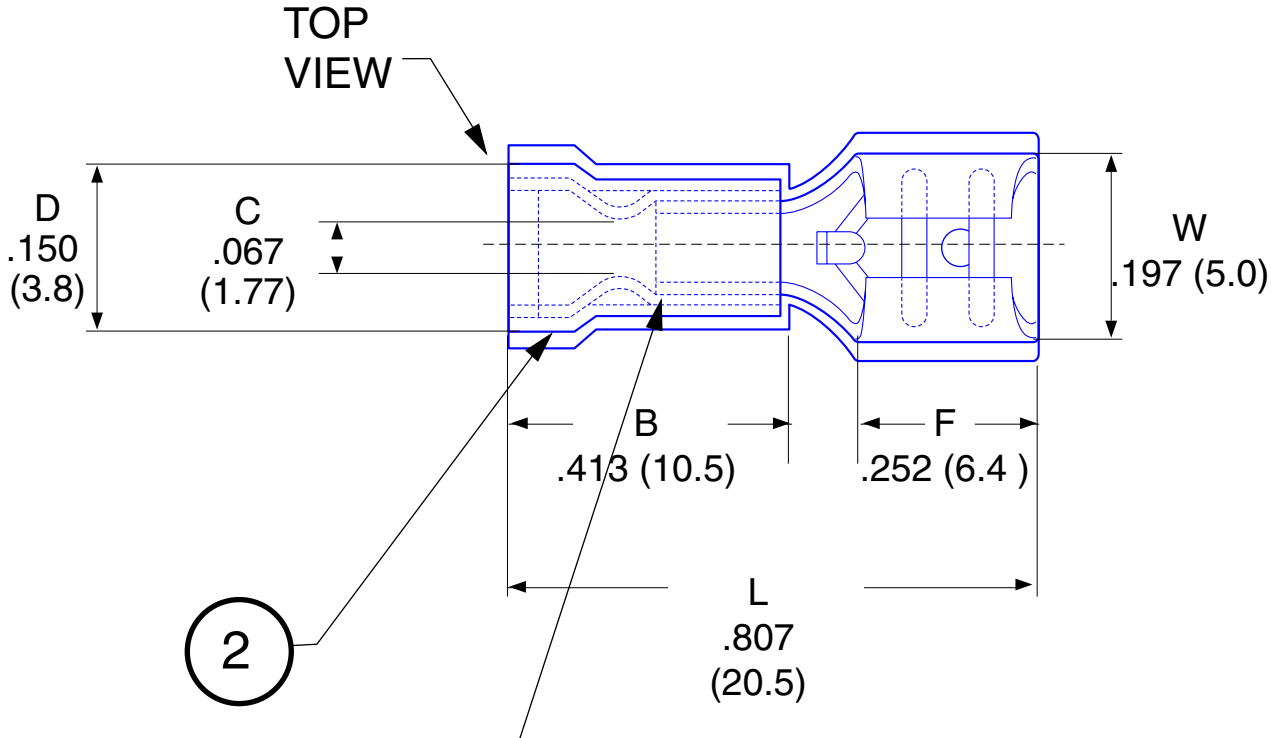


Female Disconnect - Fully Insulated
 Part No: LVHDF2216T187A5

| SYM. | CHANGES | BY | DATE |
|------|---------|----|------|
| | | | |
| | | | |
| | | | |



TIN PLATED COPPER INSULATION
 SUPPORT SLEEVE

Max Electric Current: 22-16 AWG : 10 Amp
 Max Electric Rating: 75° C / 600 V Max
 Tolerance ±.05

HOFFMAN CADFILE

| NO. | 1 | 2 | 3 |
|--------------|-------------|-----------|-------------|
| NAME | CONNECTOR | INSULATOR | TAB |
| MAT'L. | BRASS | VINYL | .187 X .032 |
| REMARKS | TIN PLATED | RED | |
| APPROVED BY: | CHECKED BY: | DRAWN BY: | |



HOFFMAN PRODUCTS

20700 Hubbell Avenue, Oak Park, MI 48237
 Tel: 1-800-645-2014 • Fax: 1-800-908-1295
 Web: www.hoffmanproducts.com

| | | |
|-------------------|--|-------|
| DATE: | TITLE: Female Disconnect Fully Insulated | |
| SCALE: FREE | PART NO. LVHDF2216T187A5 | |
| DRAWING NO. H1519 | PART NAME | ISSUE |