

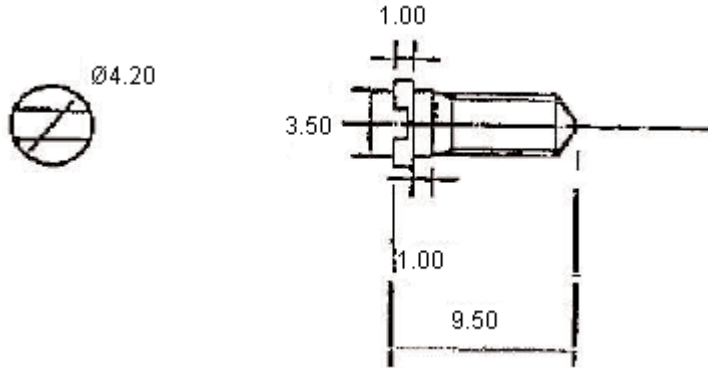


PART NO.

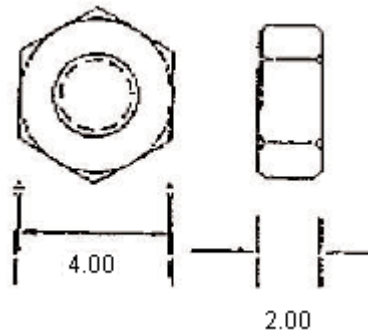
DH-1-043

REVISIONS

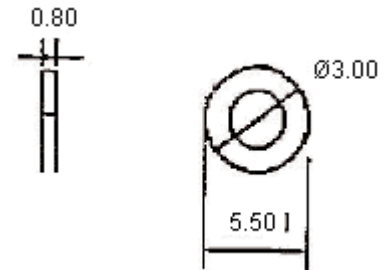
ECN #	REV	DESCRIPTION	DRAWN	DATE	CHECKD	DATE	APPRVD	DATE
-	A	RELEASED	Arun	12/2/11	Jagan	12/2/11	Farnell	28/2/11



Screw x 2 Pieces



Nut x 2 Pieces



Flat Washer x 2 Pieces

Dimensions : Millimetres

Specification:

Material : Steel, nickel-plated

Part Number Table

Description	Part Number
Slidelock Hardware Kit	DH-1-043

<http://www.farnell.com>

<http://www.newark.com>

<http://www.cpc.co.uk>

This data sheet and its contents (the "Information") belong to the Premier Farnell Group (the "Group") or are licensed to it. No licence is granted for the use of it other than for information purposes in connection with the products to which it relates. No licence of any intellectual property rights is granted. The Information is subject to change without notice and replaces all data sheets previously supplied. The Information supplied is believed to be accurate but the Group assumes no responsibility for its accuracy or completeness, any error in or omission from it or for any use made of it. Users of this data sheet should check for themselves the Information and the suitability of the products for their purpose and not make any assumptions based on information included or omitted. Liability for loss or damage resulting from any reliance on the Information or use of it (including liability resulting from negligence or where the Group was aware of the possibility of such loss or damage arising) is excluded. This will not operate to limit or restrict the Group's liability for death or personal injury resulting from its negligence. SPC MULTICOMP is the registered trademark of the Group. © Premier Farnell plc 2008.

TOLERANCES:  
UNLESS OTHERWISE SPECIFIED, DIMENSIONS ARE FOR REFERENCE PURPOSES ONLY.

DRAWN BY:	DATE:
Veena	12/2/11
CHECKED BY:	DATE:
Suresh	12/2/11
APPROVED BY:	DATE:
Farnell	28/2/11

DRAWING TITLE:			
Slidelock Hardware Kit			
SIZE A	DWG NO. M10003001	ELECTRONIC FILE 1863860_DWG	REV A
SCALE: NTS	U.O.M.: mm	SHEET: 1 OF 1	