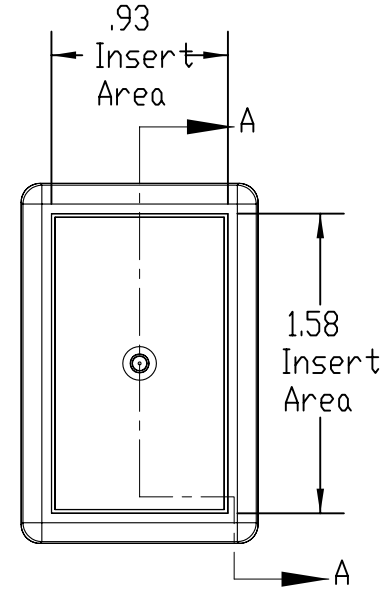


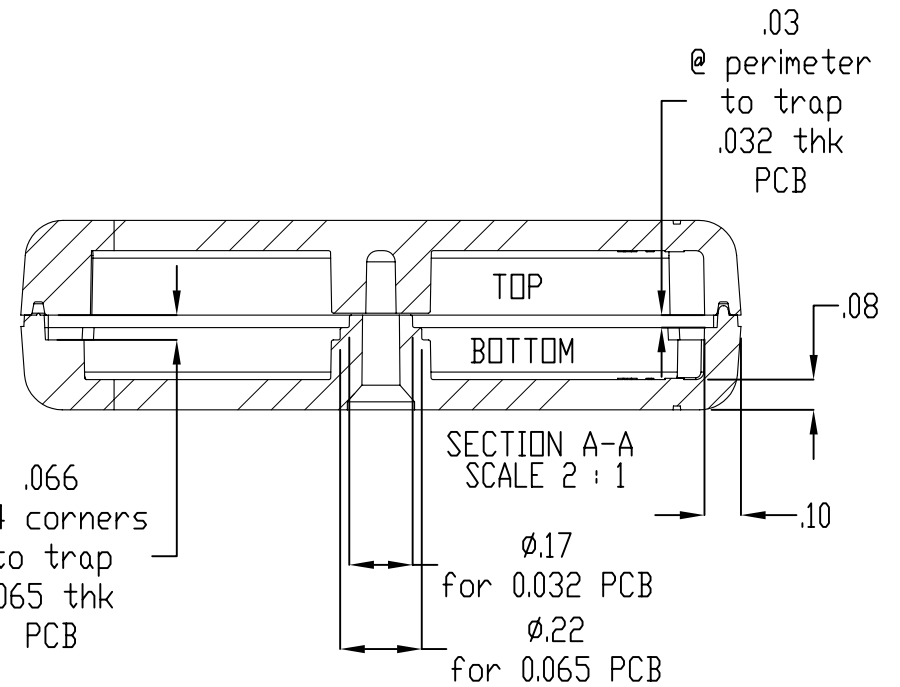
NOTES:

1) When machine or I-plates modifications are required, use the center of the enclosure to dimension.



PCB dimensions

0.032 PCB 1.76 X 1.10
0.065 PCB 1.70 X 1.05



PART NO.	DESCRIPTION	ACCESSORIES	
1019	C2 TOP	PART NO.	DESCRIPTION
1020	C2 BOTTOM	55	KEY HOLDER
6002	SCREW 2x3/8" PHILFLAT H/L (1)		