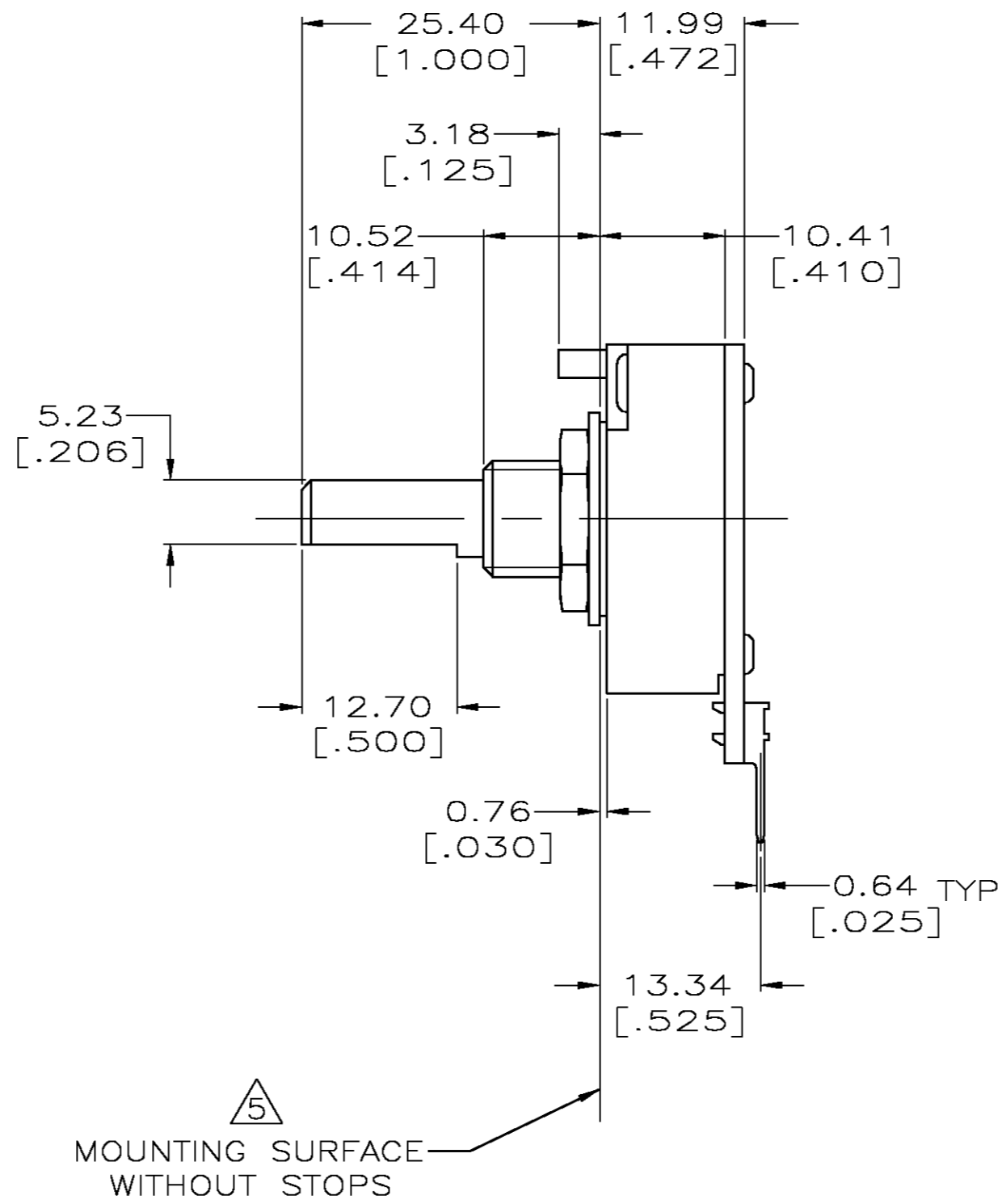
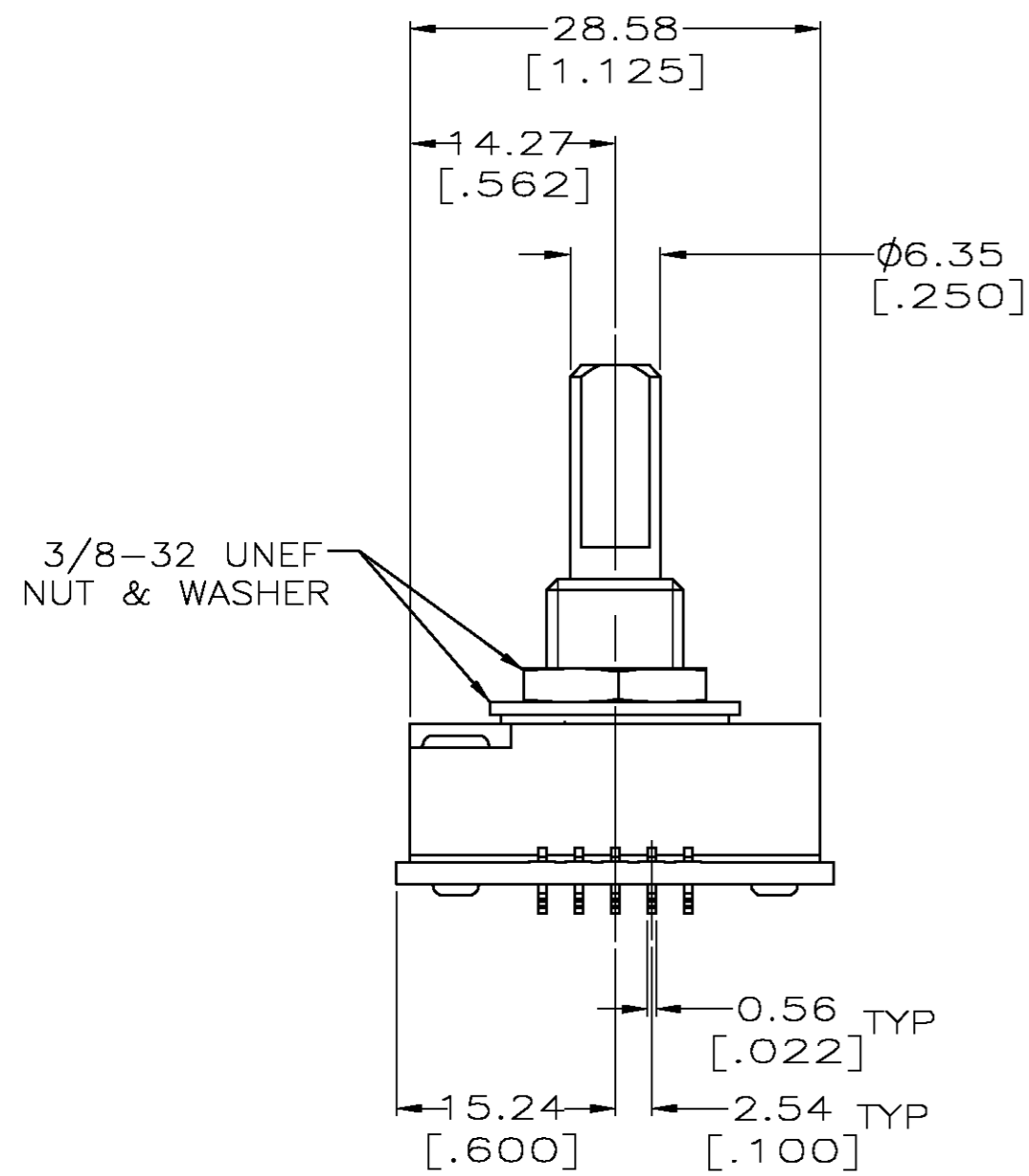
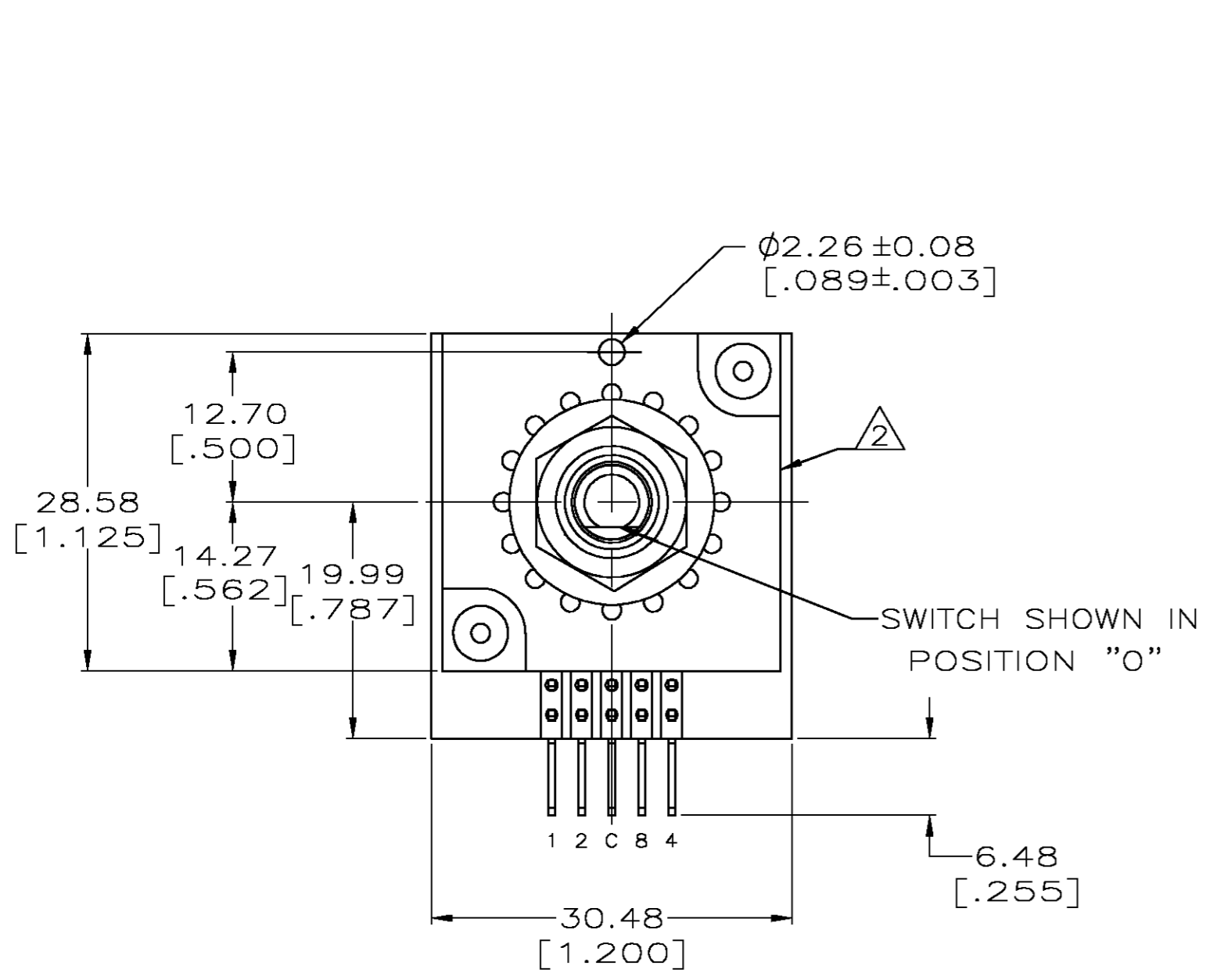


THIS DRAWING IS UNPUBLISHED. RELEASED FOR PUBLICATION
 © COPYRIGHT BY TYCO ELECTRONICS CORPORATION. ALL RIGHTS RESERVED.

| LOC | | DIST | | REVISIONS | | | | | |
|-----|--|------|--|-----------|-----|--------------|---------|-----|------|
| FT | | 69 | | P | LTR | DESCRIPTION | DATE | DWN | APVD |
| | | | | N | | OG3C-0242-03 | 14MAY03 | TK | MZ |



1. SWITCH HOUSING IS MADE OF BLACK POLYESTER.
2. AMP, AMP PART NO., AND DATE CODE TO BE STAMPED WHITE ON THIS SURFACE.
3. FOR ADDITIONAL SWITCH SPECIFICATIONS SEE AMP PRODUCT SPEC 108-7518.
4. SWITCH POSITIONS INCREASE WHEN ROTATED IN A CLOCKWISE DIRECTION.
5. TWO 0.51 [.020] THICK STOPS 435889-1 (NOT SHOWN) ARE INSTALLED BETWEEN WASHER AND HOUSING IN A NON-FUNCTIONAL POSITION. WHEN LIMITED ROTATION OF SWITCH IS DESIRED THE TOP SURFACE OF THE TOP STOP BECOMES THE MOUNTING SURFACE, THIS ALTERS DIMENSIONS FROM MOUNTING SURFACE.

| COMMON TO | POSITION | | | | | | | | | | | | | | | |
|-----------|----------|---|---|---|---|---|---|---|---|---|----|----|----|----|----|----|
| | 0 | 1 | 2 | 3 | 4 | 5 | 6 | 7 | 8 | 9 | 10 | 11 | 12 | 13 | 14 | 15 |
| 1 | | • | | • | | • | | • | | • | | • | | • | | • |
| 2 | | | • | • | | • | • | | | • | • | | | • | • | |
| 4 | | | | | • | • | • | • | | | | • | • | • | • | |
| 8 | | | | | | | | | • | • | • | • | • | • | • | • |

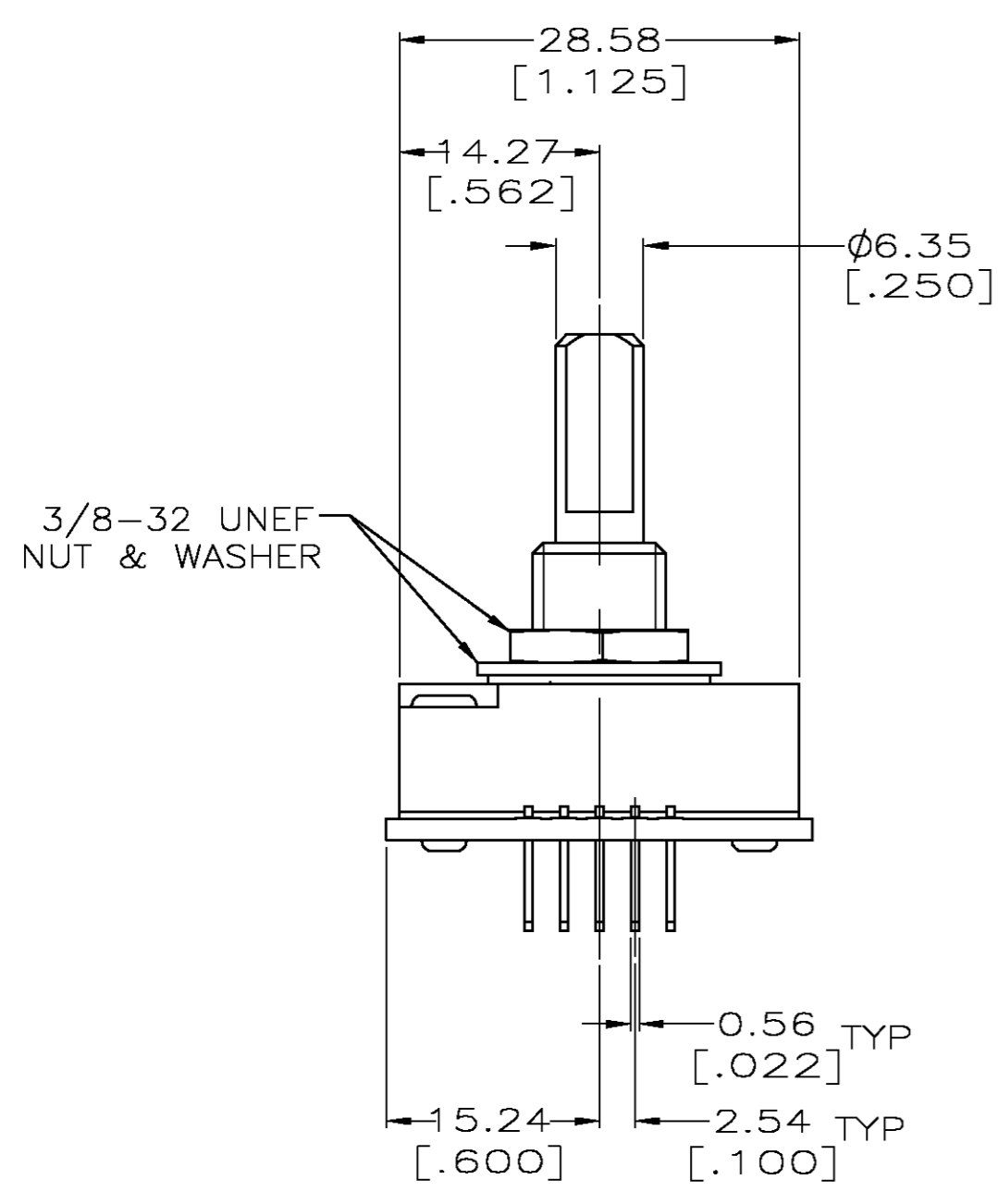
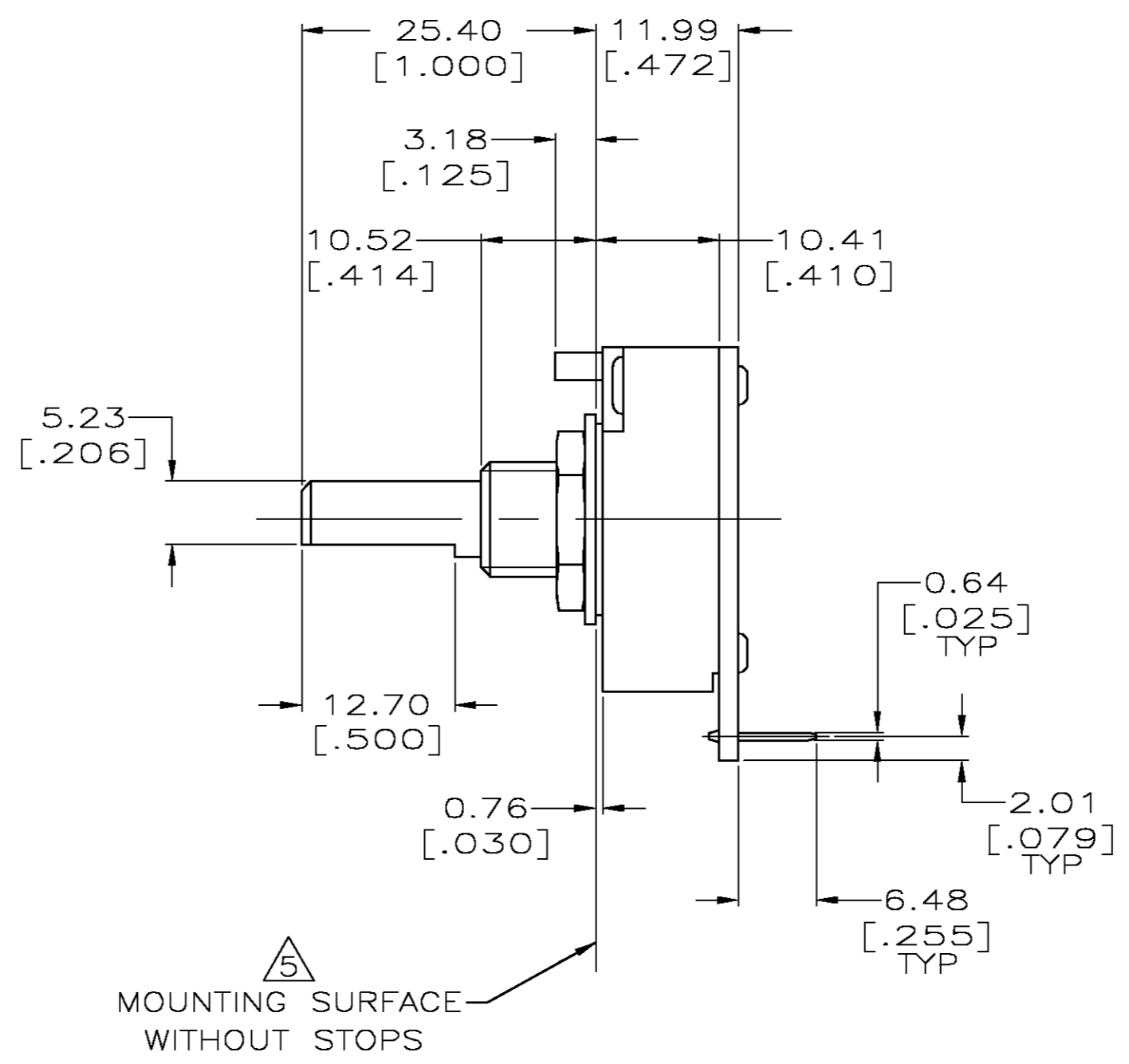
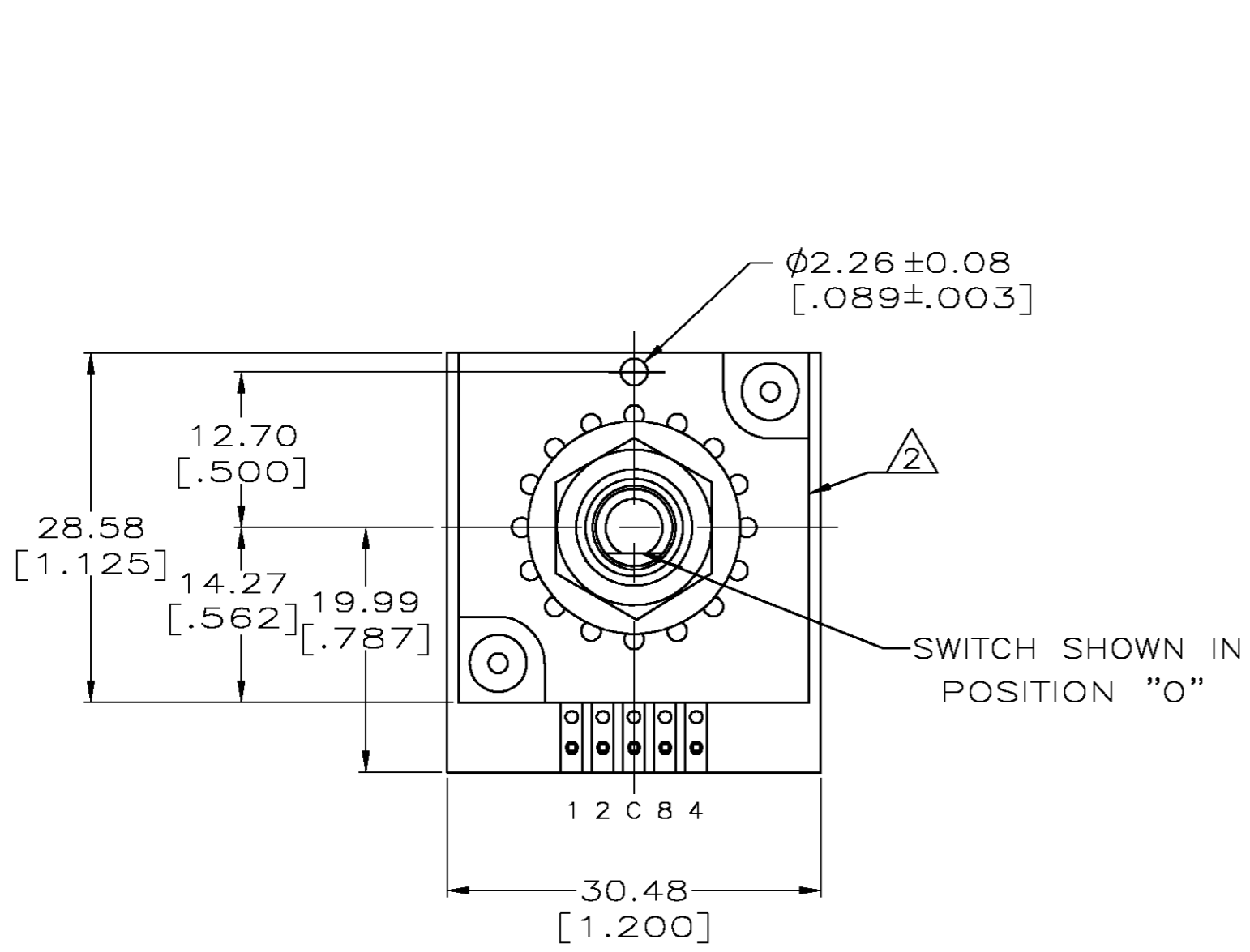
BCD HEXI-DECIMAL

| | |
|-------------|----------|
| OBSOLETE | 435986-6 |
| | 435986-1 |
| PART NUMBER | |

| | | | | | |
|--|--|------------------|--------------|---|--|
| THIS DRAWING IS A CONTROLLED DOCUMENT. | | DWN | A.HOLT | 11-28-95 | Tyco Electronics Corporation Harrisburg, Pa |
| DIMENSIONS: MM | | CHK | R.TALLEY | 11-28-95 | |
| TOLERANCES UNLESS OTHERWISE SPECIFIED: | | APVD | M.HUDDLESTON | 11-28-95 | NAME |
| 0 PLC ± - | | PRODUCT SPEC | | SWITCH ASSEMBLY, 16 POSITION, 22 30' THROW, 3100 SERIES | |
| 1 PLC ± - | | APPLICATION SPEC | | SIZE | A2 |
| 2 PLC ± 0.25 [.010] | | WEIGHT | | CAGE CODE | 00779 |
| 3 PLC ± - | | CUSTOMER DRAWING | | DRAWING NO | C=435986 |
| 4 PLC ± - | | SCALE | | SHEET | 1 OF 3 |
| ANGLES ± - | | RESTRICTED TO | | REV | N |
| FINISH | | | | | |

THIS DRAWING IS UNPUBLISHED. RELEASED FOR PUBLICATION
 © COPYRIGHT BY TYCO ELECTRONICS CORPORATION. ALL RIGHTS RESERVED.

| LOC | | DIST | | REVISIONS | | | | | |
|-----|--|------|--|-----------|-----|--------------|---------|-----|------|
| FT | | 69 | | P | LTR | DESCRIPTION | DATE | DWN | APVD |
| | | | | N | | OG3C-0242-03 | 14MAY03 | TK | MZ |



| COMMON CONNECTED TO | DIAL NUMBERS | | | | | | | | | | | | | | | |
|---------------------|--------------|---|---|---|---|---|---|---|---|---|----|----|----|----|----|----|
| | 0 | 1 | 2 | 3 | 4 | 5 | 6 | 7 | 8 | 9 | 10 | 11 | 12 | 13 | 14 | 15 |
| 1 | | • | | • | | • | | • | | • | | • | | • | | • |
| 2 | | | • | • | | | • | • | | | • | • | | | • | • |
| 4 | | | | | • | • | • | • | | | | | • | • | • | • |
| 8 | | | | | | | | | • | • | • | • | • | • | • | • |
| | | | | | | | | | | | | | | | | |
| | | | | | | | | | | | | | | | | |
| | | | | | | | | | | | | | | | | |
| | | | | | | | | | | | | | | | | |

BCD

SUPERSEDED BY 435986-1

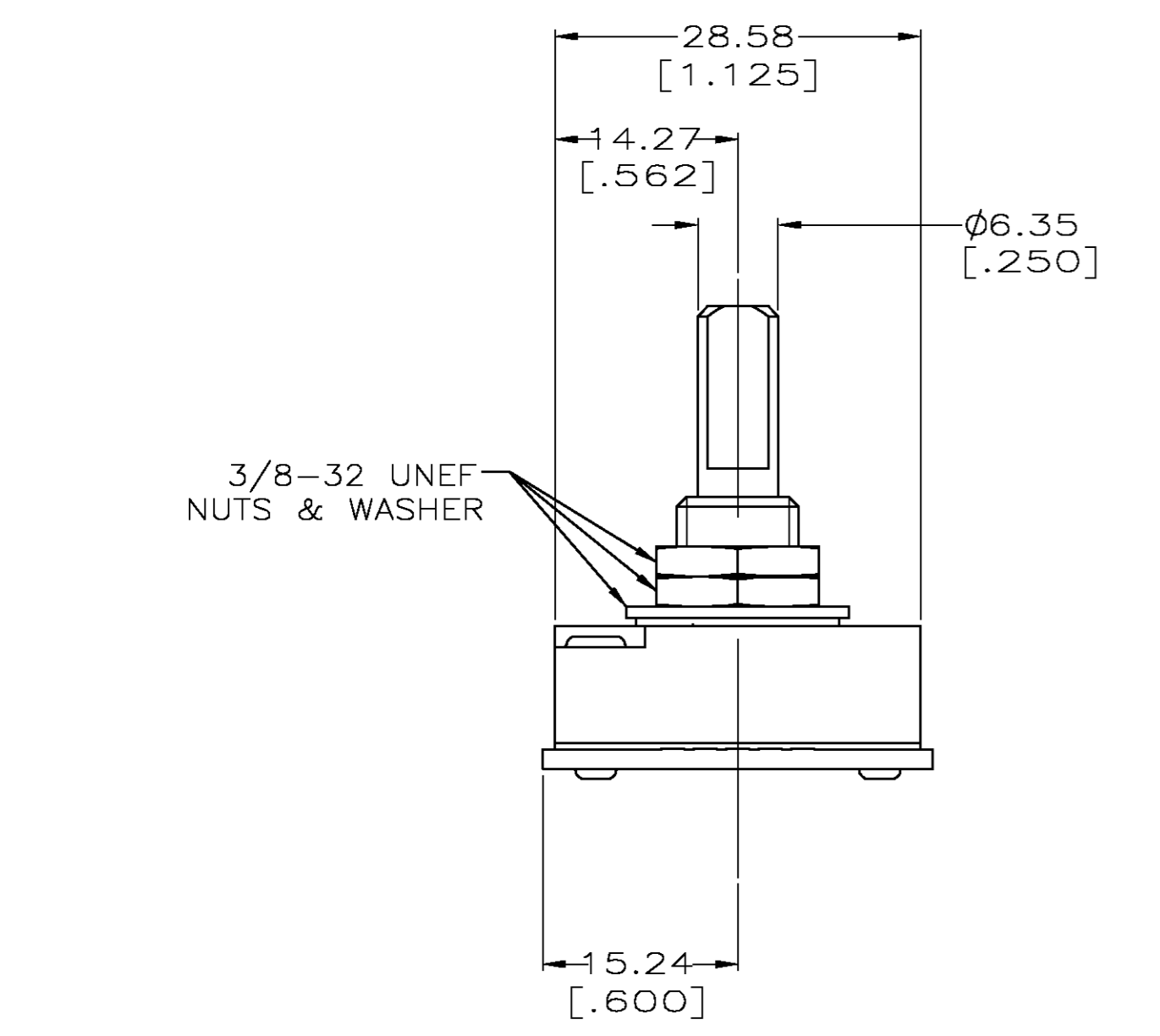
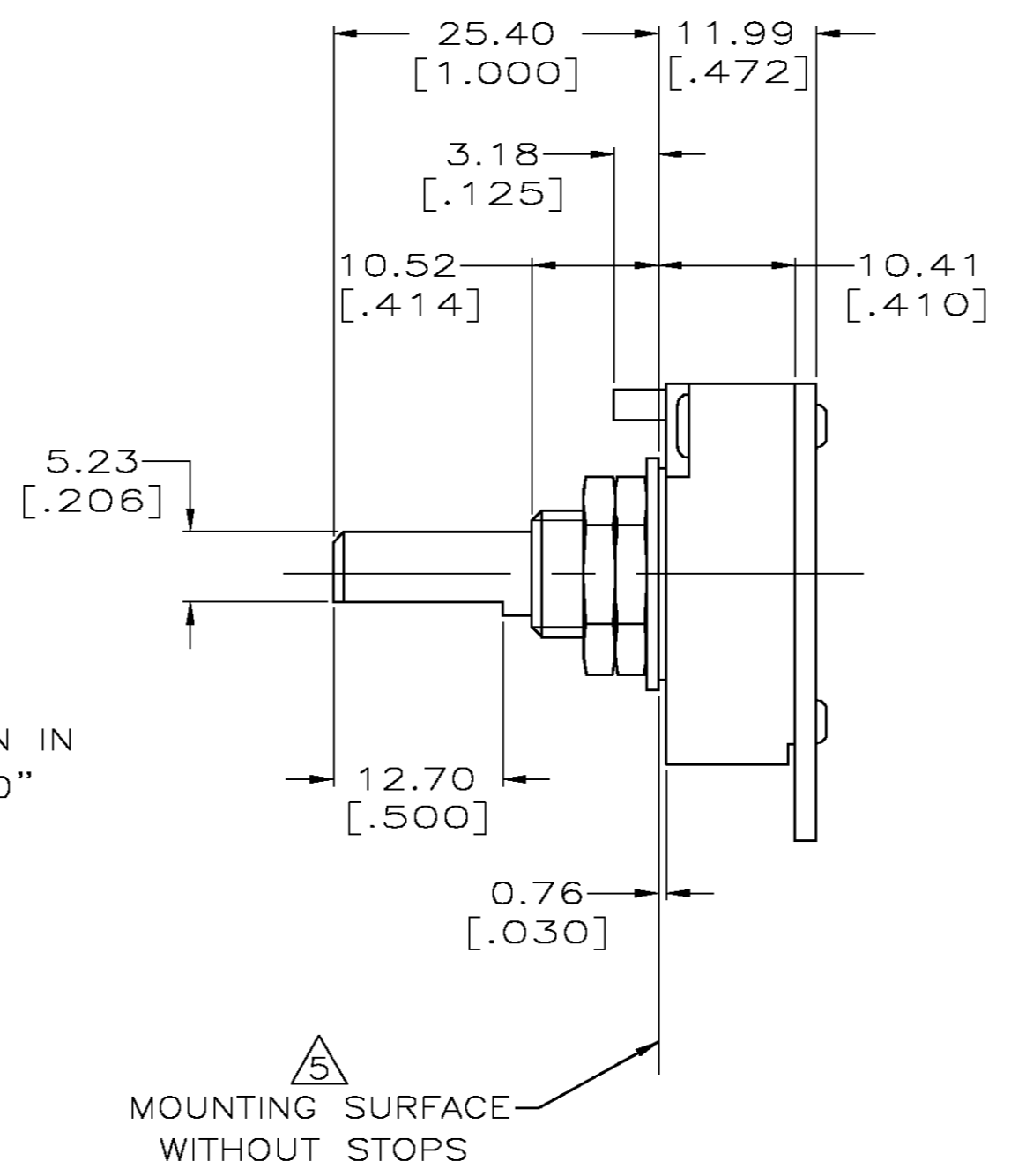
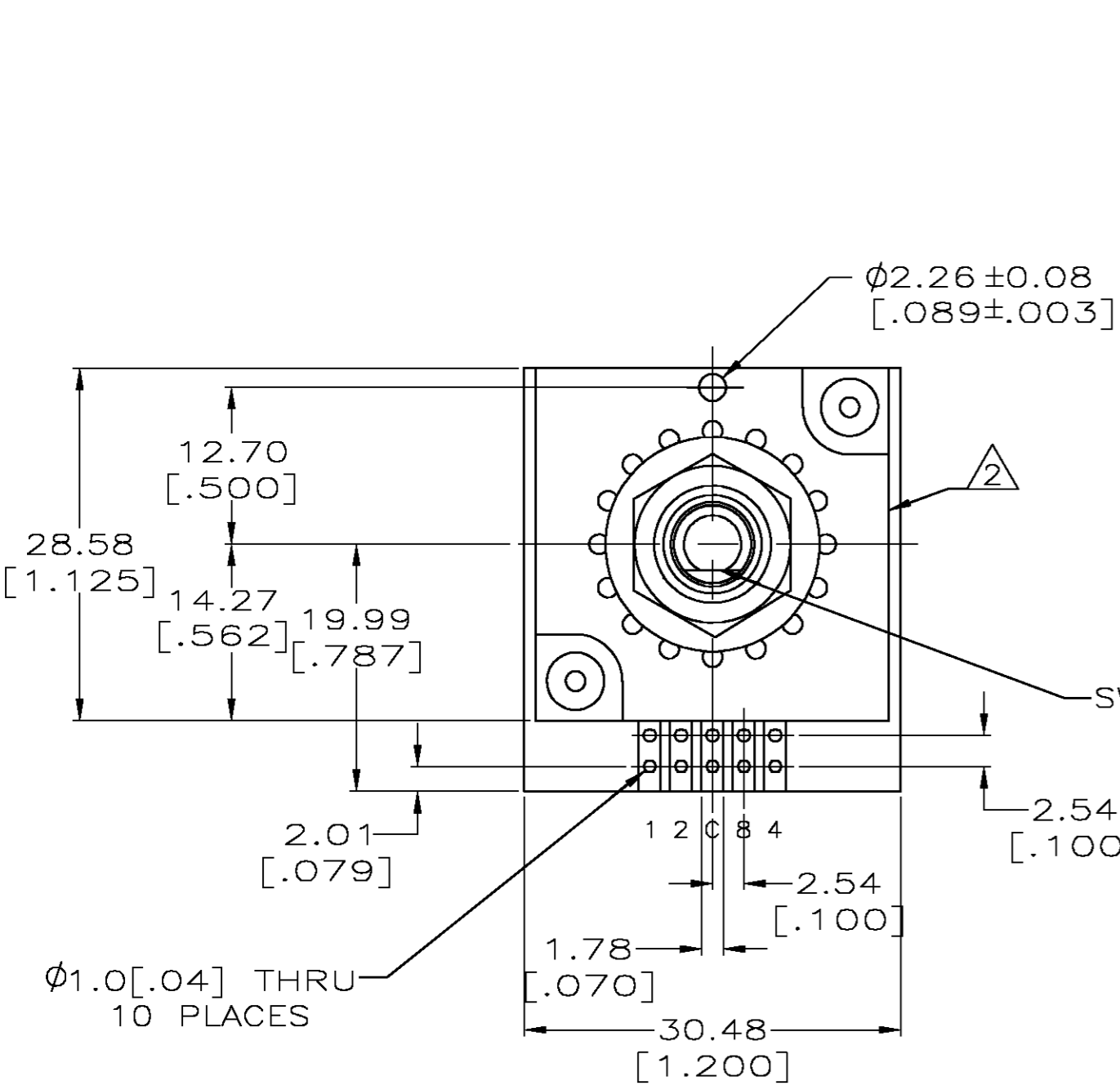
435986-3
PART NUMBER

THIS DRAWING IS A CONTROLLED DOCUMENT.

| | | | | |
|------------------|--------------|----------|--|--|
| DWN | A.HOLT | 11-28-95 | Tyco Electronics Corporation Harrisburg, Pa | |
| CHK | R.TALLEY | 11-28-95 | | |
| APVD | M.HUDDLESTON | 11-28-95 | | |
| PRODUCT SPEC | | | | |
| APPLICATION SPEC | | | NAME | SWITCH ASSEMBLY, 16 POSITION, 22 30' THROW, 3100 SERIES |
| MATERIAL | | | SIZE | A2 |
| WEIGHT | | | CAGE CODE | 00779 |
| | | | DRAWING NO | C=435986 |
| | | | RESTRICTED TO | |
| CUSTOMER DRAWING | | | SCALE | 2:1 |
| | | | SHEET | 2 OF 3 |
| | | | REV | N |

THIS DRAWING IS UNPUBLISHED. RELEASED FOR PUBLICATION
 © COPYRIGHT BY TYCO ELECTRONICS CORPORATION. ALL RIGHTS RESERVED.

| LOC | DIST | REVISIONS | | | | | |
|-----|------|-----------|-----|--------------|---------|-----|------|
| FT | 69 | P | LTR | DESCRIPTION | DATE | DWN | APVD |
| | | N | | OG3C-0242-03 | 14MAY03 | TK | MZ |



| COMMON TO | DIAL NUMBERS | | | | | | | | | | | | | | | |
|-----------|--------------|---|---|---|---|---|---|---|---|---|----|----|----|----|----|----|
| | 0 | 1 | 2 | 3 | 4 | 5 | 6 | 7 | 8 | 9 | 10 | 11 | 12 | 13 | 14 | 15 |
| 1 | | • | | • | | • | • | | • | | • | | • | | • | • |
| 2 | | | • | • | | | • | • | | | • | • | | | • | • |
| 4 | | | | | • | • | • | • | | | | | • | • | • | • |
| 8 | | | | | | | | | • | • | • | • | • | • | • | • |

BCD HEXI-DECIMAL

435986-5
 PART NUMBER

THIS DRAWING IS A CONTROLLED DOCUMENT.

| | | | |
|----------------|--|-----------------------------|--|
| DIMENSIONS: MM | TOLERANCES UNLESS OTHERWISE SPECIFIED: | DWN: A.HOLT 11-28-95 | Tyco Electronics Corporation Harrisburg, Pa |
| | 0 PLC ± - | CHK: R.TALLEY 11-28-95 | |
| | 1 PLC ± - | APVD: M.HUDDLESTON 11-28-95 | |
| | 2 PLC ± 0.25[.010] | PRODUCT SPEC | |
| MATERIAL | FINISH | 3 | APPLICATION SPEC |
| | | WEIGHT | RESTRICTED TO |
| | | CUSTOMER DRAWING | SCALE: 2:1 SHEET 3 OF 3 REV N |