

THE INFORMATION CONTAINED IN THIS DRAWING IS THE SOLE PROPERTY OF ANDERSON POWER PRODUCTS. ANY REPRODUCTION IN PART OR WHOLE WITHOUT THE WRITTEN PERMISSION OF ANDERSON POWER PRODUCTS IS PROHIBITED.

Copyright 2008

ANDERSON POWER PRODUCTS RESERVES THE RIGHT TO ALTER PRODUCT TYPES, THEIR TECHNICAL DATA, DIMENSION, STYLE AND ACCESSORIES WITHOUT PRIOR NOTIFICATION.

8 7 6 5 4 3 2 1

E

D

C

B

A

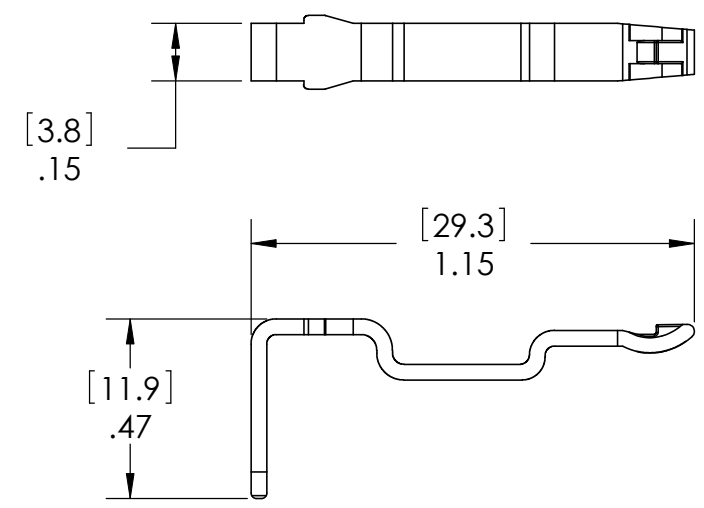
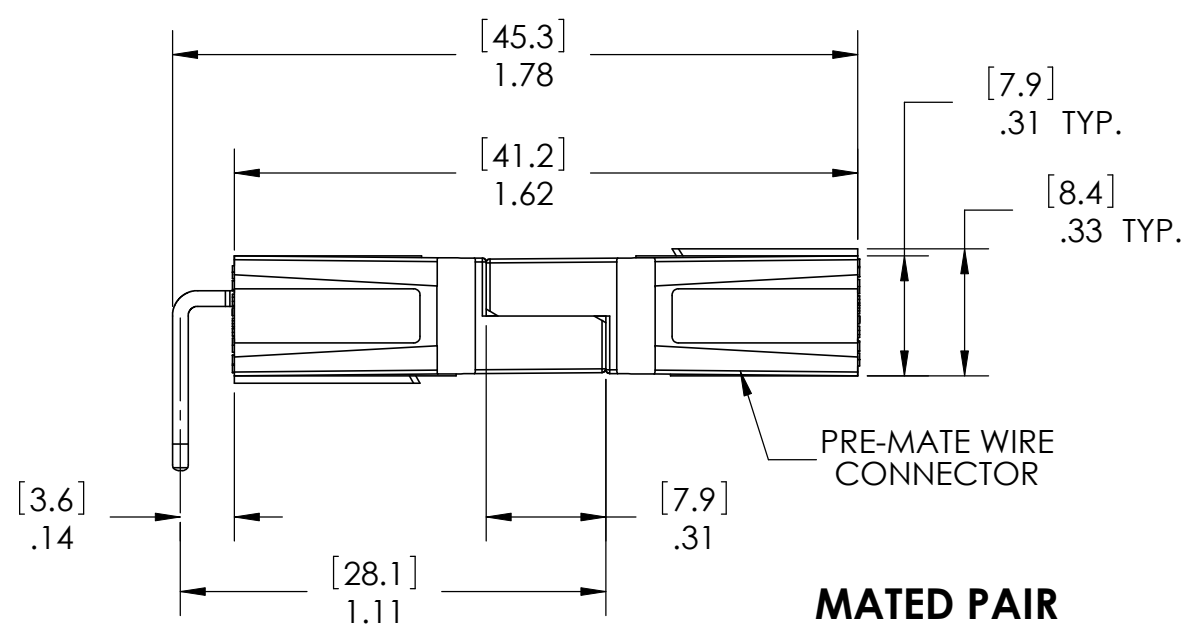
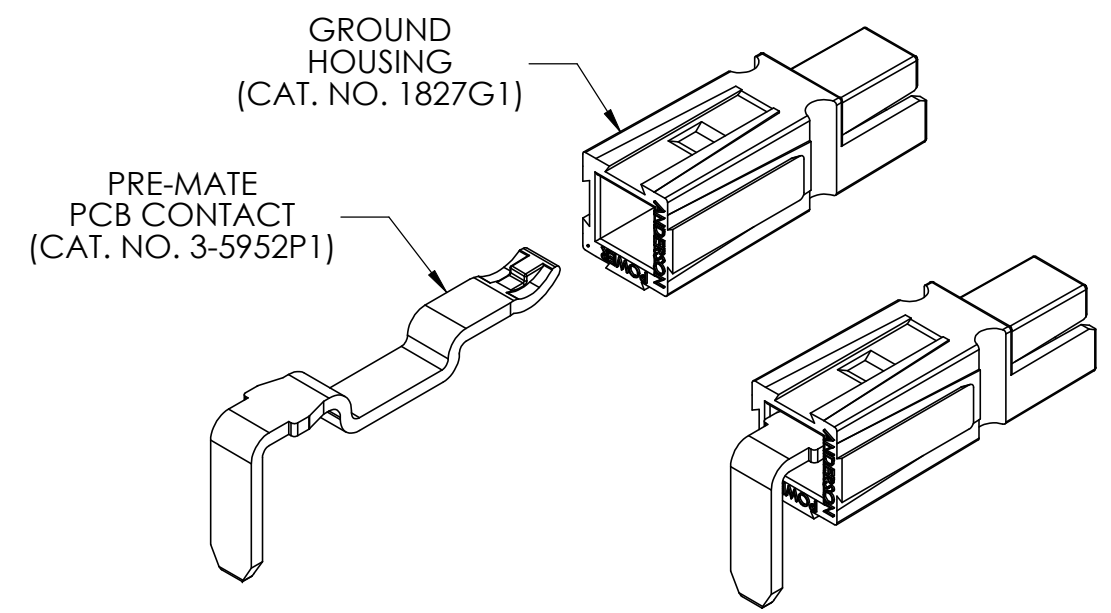
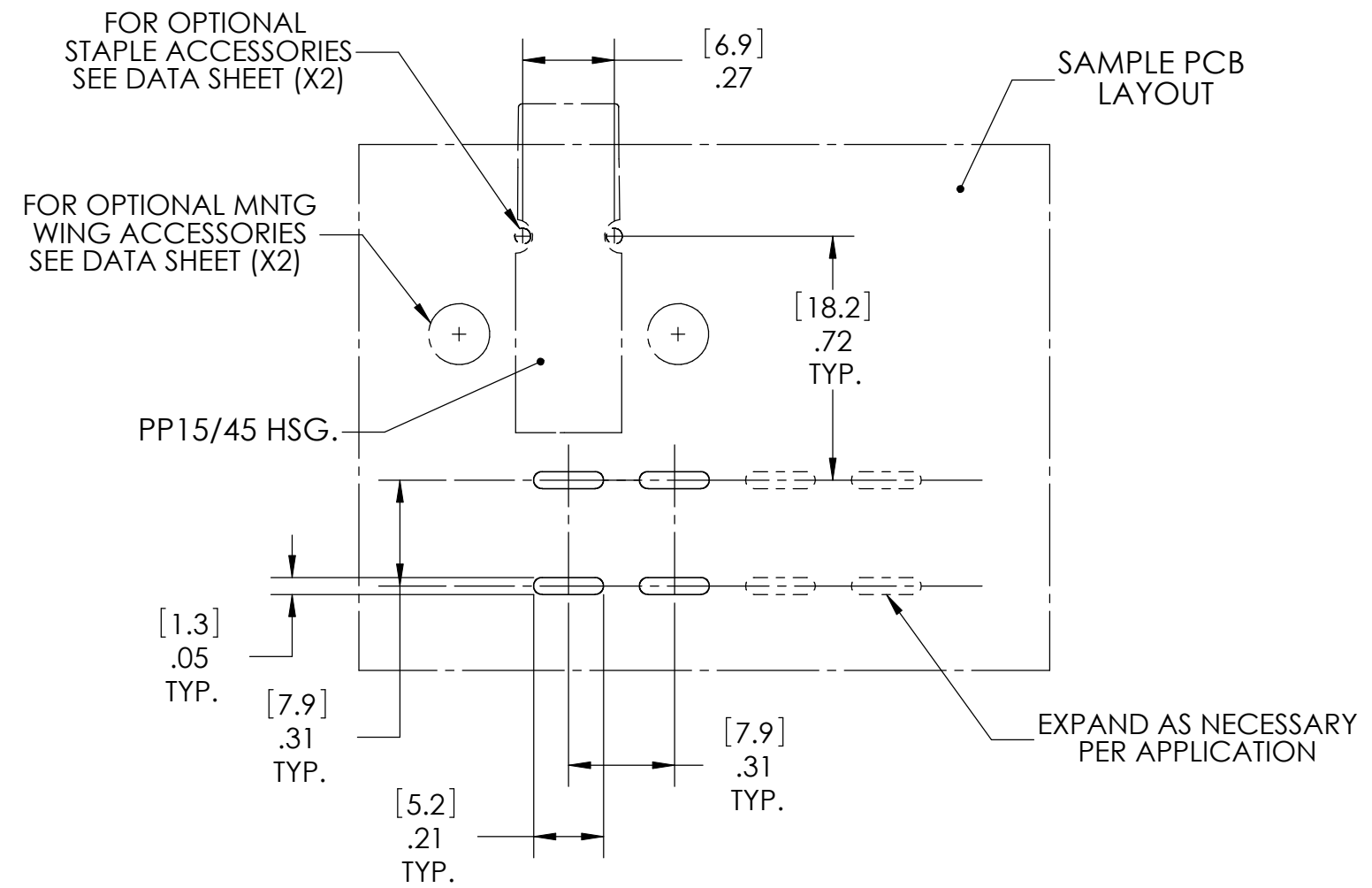
E

D

C

B

A



NOTES:

- FOR USE WITH PRE-MATE WIRE CONNECTORS (1830G1 CONTACT, 1827G1 HOUSING)
- SEE DATA SHEET FOR PCB LAYOUTS AND OPTIONAL MOUNTING ACCESSORIES
- HOUSING AND CONTACT ASSEMBLIES ARE UL RECOGNIZED & CSA CERTIFIED
- HOUSING MATERIAL = UL94-V0 POLYCARBONATE
CONTACT MATERIAL = TIN PLATED COPPER ALLOY

DIMENSIONS ARE IN:	INCH[MM]	APPROVALS	
UNLESS OTHERWISE STATED		DRAWN	AMS 05/02/08
TOLERANCES:		CHECKED	DJD 05/05/08
DECIMALS (INCH)	DECIMALS (MM)	MFG APP	CHB 05/05/08
.XX ± .02	.X ± .5	QC APP	UFN 05/05/08
ANGLES ±2°		ENG APP	DAM 05/05/08
SURFACE FINISH:		MATERIAL: SEE NOTE 4	
MACHINED 128 [3.2]		FINISH: SEE NOTE 4	
MOLDED 64 [1.6]			

ANDERSON POWER PRODUCTS

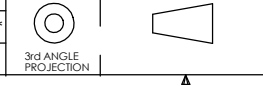
TITLE: **SALES OUTLINE**
PRE-MATE PCB CONNECTOR
1ST ROW, RIGHT ANGLE

CATALOG NUMBERS
3-5952P1 (CONT.) & 1827G1 (HSG.)

SIZE: B/A3 DWG NO.: B02060S1 REV.: 0

SCALE: NONE CADFILE: 02780 SHEET: 1 OF 1

*	*****	***	*****
REV.	DESCRIPTION OF CHANGES	APPROVED	DATE



-CAD GENERATED DRAWING-
DO NOT MANUALLY UPDATE
DO NOT SCALE

8 7 6 5 4 3 2 1