

DO NOT SCALE FROM THIS PRINT

DESIGNED & DIMENSIONED IN MILLIMETERS [INCHES]

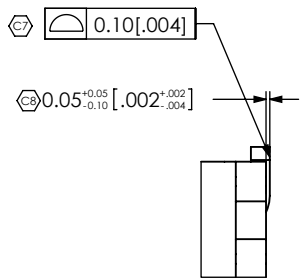
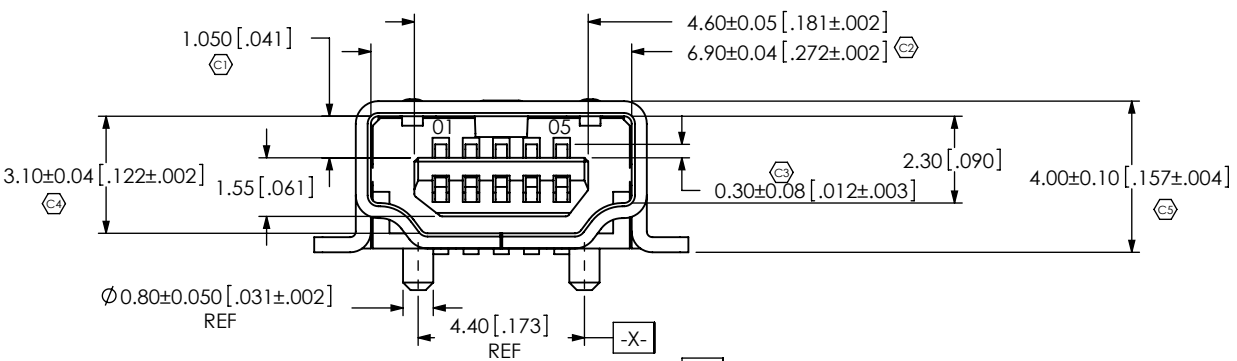
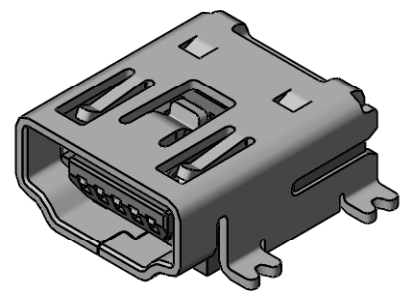
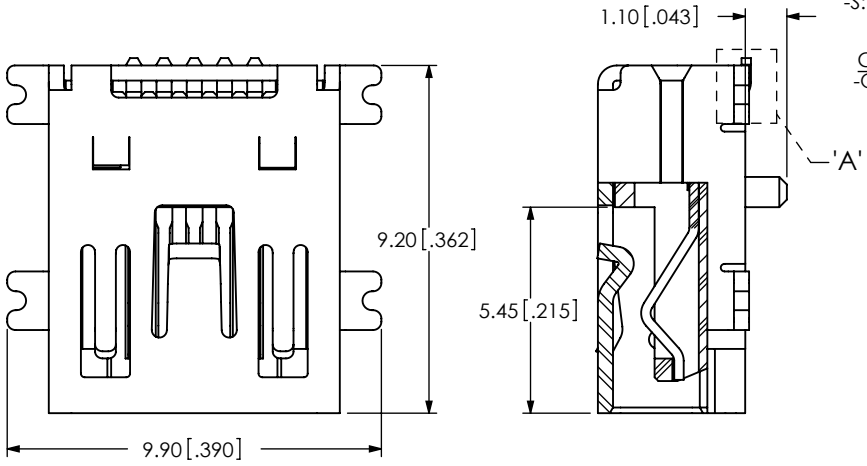
NOTES:

1. $\text{\textcircled{C}}$ REPRESENTS A CRITICAL DIMENSION.
2. BURR ALLOWANCE: 0.038[.0015] MAX.
3. PARTS TO BE PACKAGING IN TRAYS.
4. RoHS COMPLIANT.

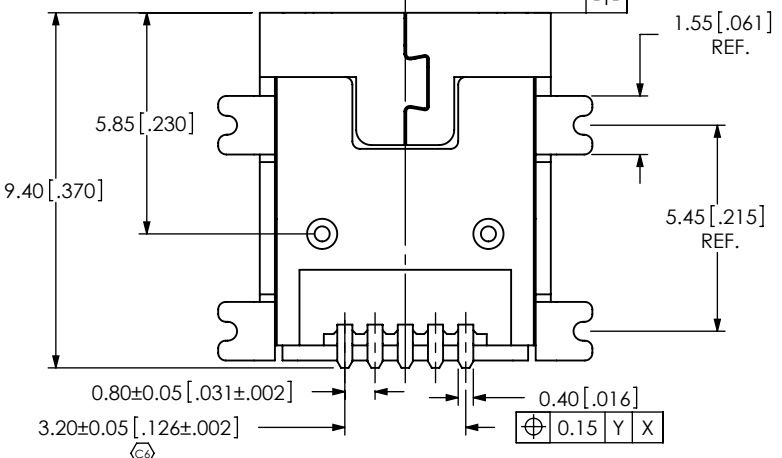
MUSBR-05-X-O-A-SM-A

No. OF CONTACTS _____
 -05
 PLATING SPECIFICATION _____
 -F: FLASH GOLD ON MATING AREA, TIN ON TAIL
 -S: SELECTIVE GOLD ON CONTACT AREA, TIN ON TAIL
 COLOR _____
 -O: ORANGE

ALIGNMENT PINS _____
 -A:
 RA TERMINATION _____
 -SM: SURFACE MOUNT
 TYPE _____
 -A



DETAIL 'A'
SCALE TO: 1



UNLESS OTHERWISE SPECIFIED, DIMENSIONS ARE IN MILLIMETERS [INCHES]. TOLERANCES ARE: DECIMALS ANGLES X.X: ±0.25 [.01] 2° X.XX: ±0.13 [.005] X.XXX: ±0.050 [.0020]	PROPRIETARY NOTE THIS DOCUMENT CONTAINS INFORMATION CONFIDENTIAL AND PROPRIETARY TO SAMTEC, INC. AND SHALL NOT BE REPRODUCED OR TRANSFERRED TO OTHER DOCUMENTS OR DISCLOSED TO OTHERS OR USED FOR ANY PURPOSE OTHER THAN THAT WHICH IT WAS OBTAINED WITHOUT THE EXPRESSED WRITTEN CONSENT OF SAMTEC, INC.		
		520 PARK EAST BLVD., NEW ALBANY, IN 47150 PHONE: 812.944.6733 FAX: 812.948.5047 e-Mail: info@SAMTEC.com code: 55322	
MATERIAL: DO NOT SCALE DRAWING SHEET SCALE: 1:0.2 INSULATOR: PA9T + 30% GF, COLOR: ORANGE CONTACT: PHOS BRONZE SHELL: BRASS	DESCRIPTION: HIGH RETENTION MINI USB TYPE B	DWG. NO. MUSBR-05-X-O-A-SM-A	BY: ORWELLZ 3/09/2009 SHEET 1 OF 1