

# Customer Information Sheet

DRAWING No.: D01-979XXXX

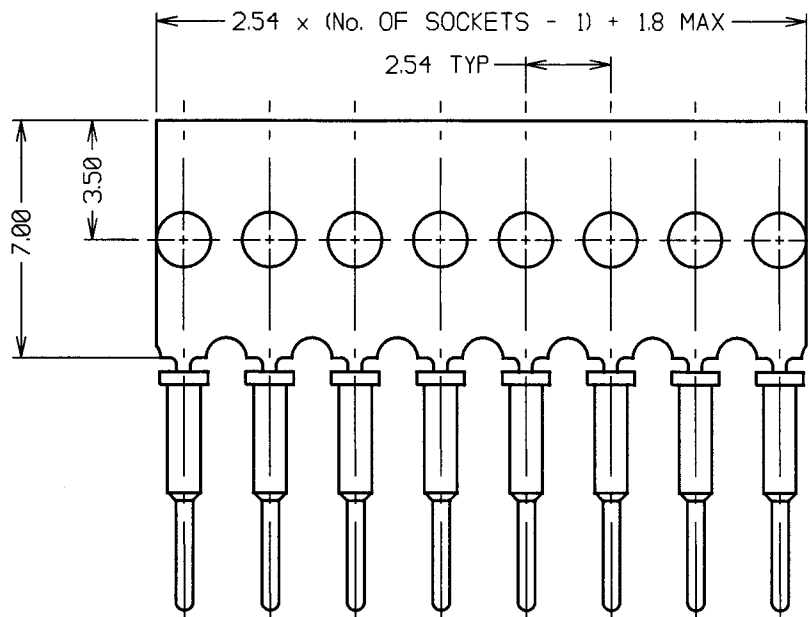
SHEET 2 OF 2 IF IN DOUBT - ASK

©

NOT TO SCALE

THIRD ANGLE PROJECTION

ALL DIMENSIONS IN mm



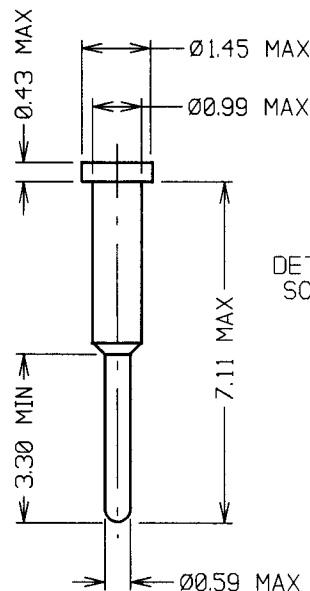
ORDER CODE:

D01-979XXXX

NO. OF SOCKETS  
04 TO 32

FINISH:

- 01 = GOLD CLIP, TIN SHELL
- 05 = GOLD CLIP, GOLD SHELL
- T6 = 90/10 TIN/LEAD CLIP, TIN SHELL



DETAILED VIEW OF SOCKET H3192-XX

**SPECIFICATIONS:**

**MATERIAL:**

- CARRIER - BRASS
- CONTACT SHELL - BRASS
- CONTACT CLIP - BERYLLIUM COPPER

**FINISH:**

- 01 - 0.1μ GOLD CLIP, 4μ TIN SHELL
- 05 - 0.1μ GOLD CLIP, 0.13μ GOLD SHELL
- T6 - 1.3μ 90/10 TIN/LEAD CLIP, 4μ TIN SHELL

**ELECTRICAL:**

- CURRENT RATING - 2 AMPS MAX
- CONTACT RESISTANCE - 25 MILLIOHMS MAX

**MECHANICAL:**

- DURABILITY - 01, 05 - 500 CYCLES
- T6 - 50 CYCLES
- INSERTION FORCE - 6N MAX, 2N MIN
- WITHDRAWAL FORCE - 1.5N MAX, 0.5N MIN

**ENVIRONMENTAL:**

- OPERATING TEMPERATURE - -55°C TO +100°C
- FOR COMPLETE SPECIFICATION, SEE COMPONENT SPECIFICATION C006XX (LATEST ISSUE)

**NOTES:**

1. RECOMMENDED HOLE SIZE = 0.10-1.00mm.
2. MAXIMUM PIN LENGTH = 3.15mm.
3. RECOMMENDED PIN DIAMETER = 0.51-0.41mm.
4. MAXIMUM CONTACT DEPTH = 2.26mm.

JAE	5	30.10.02	7102
NAME	ISS.	DATE	C/NOTE
APPROVED: <i>[Signature]</i>			
CHECKED: <i>[Signature]</i>			
DRAWN: J. KEIR			
CUSTOMER REF.:			
ASSEMBLY DRG:			

## HARWIN

THIS DRAWING AND ANY INFORMATION OR DESCRIPTIVE MATTER SET OUT HEREON ARE CONFIDENTIAL AND COPYRIGHT PROPERTY OF THE HARWIN GROUP AND MUST NOT BE DISCLOSED, LOANED, COPIED OR USED FOR MANUFACTURING, TENDERING OR FOR ANY OTHER PURPOSE WITHOUT THEIR WRITTEN PERMISSION.

**TOLERANCES**

- X. - ±1mm
- X.X - ±0.25mm
- X.XX - ±0.10mm
- X.XXX - ±0.01mm
- ANGLES - ±5°

UNLESS STATED

**MATERIAL:**

SEE ABOVE

FINISH: SEE ABOVE

S/AREA: mm<sup>2</sup>

**TITLE:**

H3192-XX SUB-MIN SOCKETS ON CARRIER STRIP

DRAWING NUMBER:

D01-979XXXX

HARWIN INC  
U.S.A.  
TEL: (812) 542 2546  
FAX: (812) 542 2541

HARWIN PLC  
UK.  
TEL: 023 9237 0451  
FAX: 023 9231 4590

HARWIN PTE  
SINGAPORE  
TEL: 65 7794909  
FAX: 65 7793868