

THE INFORMATION CONTAINED HEREIN IS CONSIDERED "PROPRIETARY" TO BEL FUSE INC. AND SHALL NOT BE COPIED, REPRODUCED OR DISCLOSED WITHOUT THE WRITTEN APPROVAL OF BEL FUSE INC.

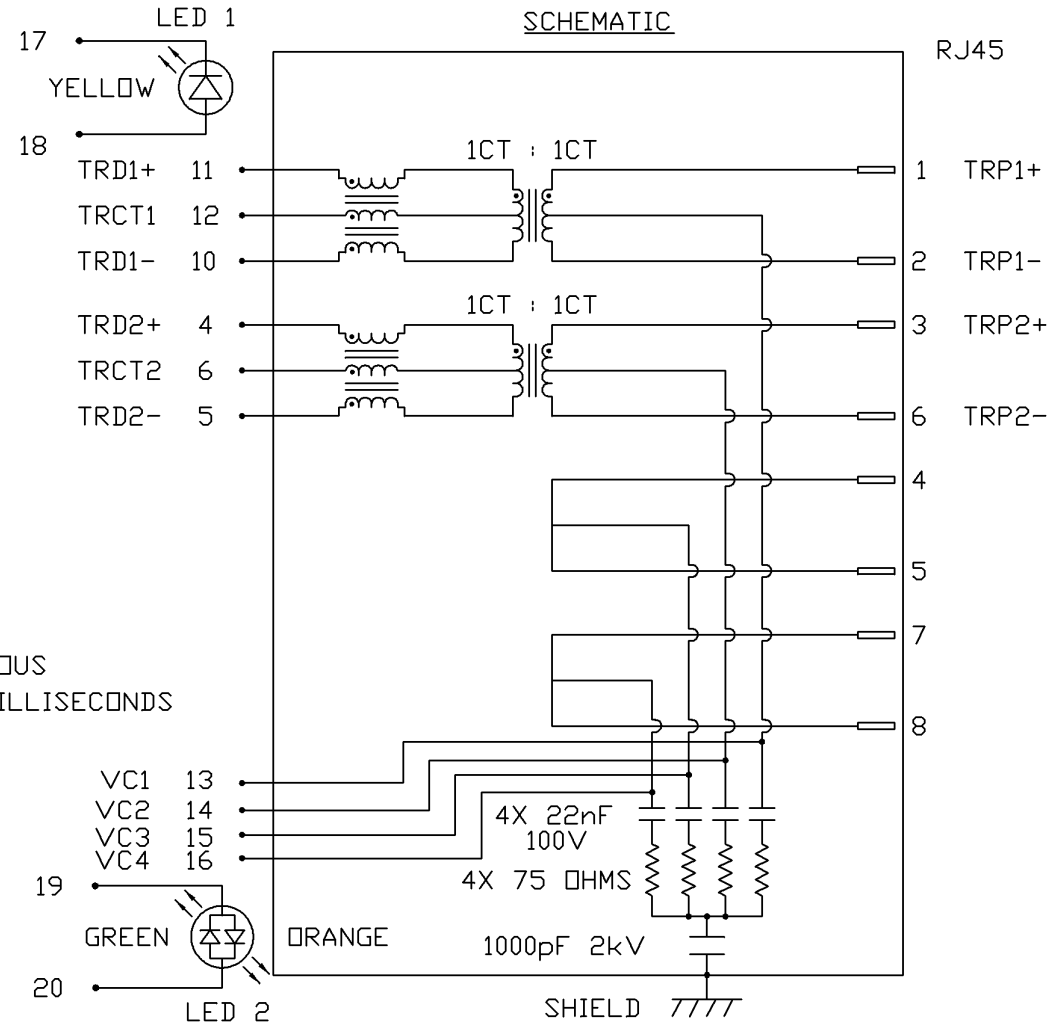
LED 1 POLARITY			LED 2 POLARITY		
PIN 17	PIN 18	COLOR	PIN 19	PIN 20	COLOR
-	+	YELLOW	+	-	ORANGE
/	/	/	-	+	GREEN

PRELIMINARY



**ELECTRICAL CHARACTERISTICS @ 25°C**

**URNS RATIO**  
 TP1 1CT : 1CT ±2%  
 TP2 1CT : 1CT ±2%  
**OCL @ 100kHz/100mVRMS**  
 FOR CHANNEL 1 AND CHANNEL 2  
 11mA DC BIAS 350µH MIN.  
 Compliant to IEEE 802.3at specification  
**INS. LOSS**  
 0.1MHz TO 1MHz -1.1 dB MAX  
 1MHz TO 65MHz -0.8 dB MAX  
 65MHz TO 100MHz -1.2 dB MAX  
**RET. LOSS (MIN)**  
 0.5MHz-40MHz -18 dB  
 40MHz-100MHz -12+20LOG(f/80MHz) dB  
**CM TO CM REJ**  
 100kHz - 100MHz -30 dB MIN  
**CM TO DM REJ**  
 100kHz - 100MHz -35 dB MIN  
**HIPOT (Isolation Voltage):** 2250 VDC  
 100% OF PRODUCTION TESTED TO COMPLY WITH  
 IEEE 802.3 ISOLATION REQUIREMENTS.  
**BALANCED DC LINE CURRENT** 720 mA MAX. @ 57 VDC CONTINUOUS  
 1.2 A MAX. @ 57 VDC FOR 200 MILLISECONDS  
**LED 1**  
 VF (FORWARD VOLTAGE) IF=20mA YELLOW 2.1V TYP.  
 λD (DOMINANT WAVELENGTH) IF=20mA YELLOW 590nm TYP.  
**LED 2**  
 VF (FORWARD VOLTAGE) IF=20mA GREEN 2.2V TYP.  
 ORANGE 2.0V TYP.  
 λD (DOMINANT WAVELENGTH) IF=20mA GREEN 565nm TYP.  
 ORANGE 610nm TYP.  
**OPERATING TEMPERATURE:** -40°C TO 85°C



<b>ORIGINATED BY</b> CHOW WANCHUNG	<b>DATE</b> 03-17-09	<b>TITLE</b> 10/100 MagJack® (PoE, Extended Temperature)	<b>PART NO. / DRAWING NO.</b> 08261X1TGJ-F	<b>STANDARD DIM. TOL. IN INCH</b> .X .XX .XXX	<b>[ ] METRIC DIM. AS REFERENCE</b> UNIT : INCH [mm] SCALE : N/A	<b>REV. : PA</b> <b>SIZE : A4</b> <b>PAGE : 2</b>	<b>bel</b> COMPONENTS ON A CONNECTED PLANET
<b>DRAWN BY</b> ZENG DADI	<b>DATE</b> 03-17-09	<b>FILE NAME</b> 0826-1X1T-GJ-F	<b>08261X1TGJ-F_PA.DWG</b>				

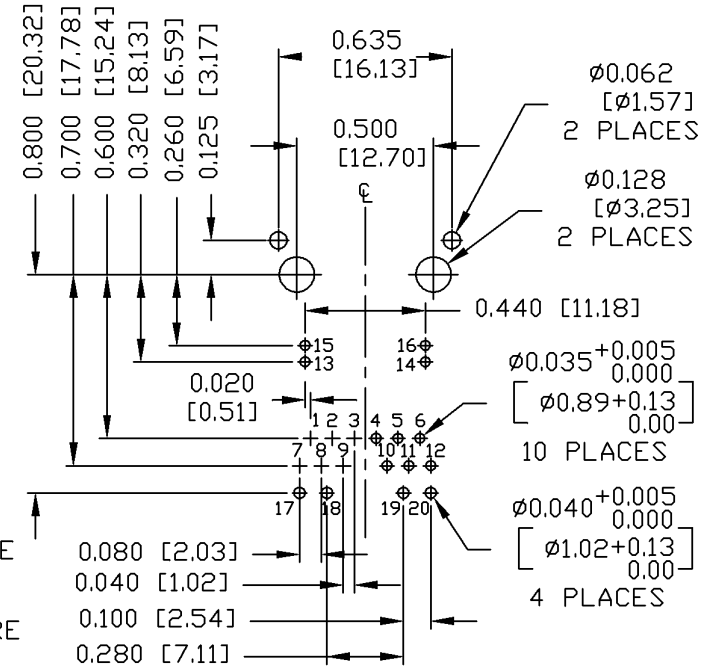
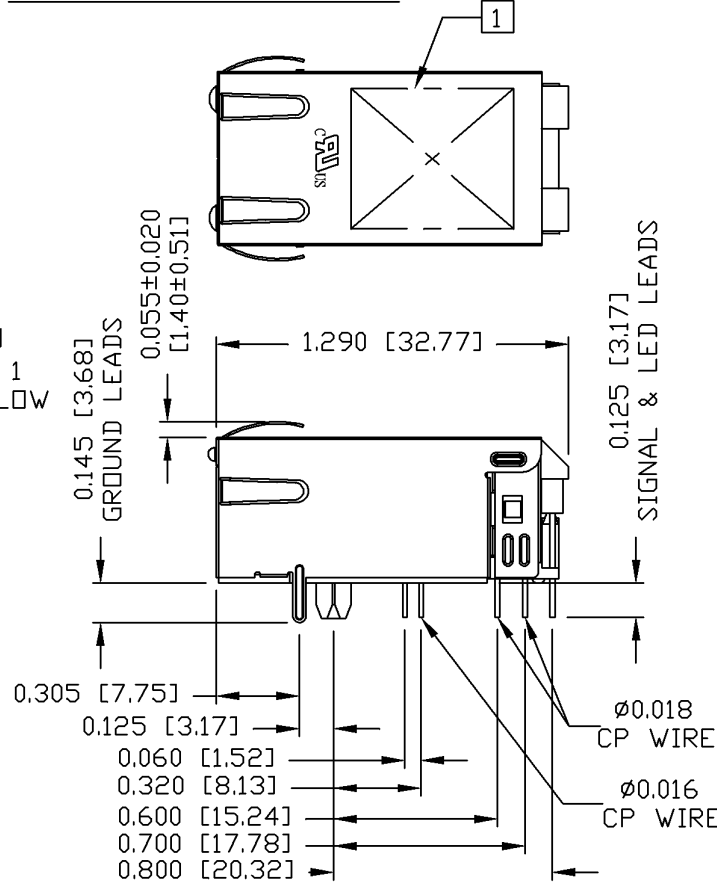
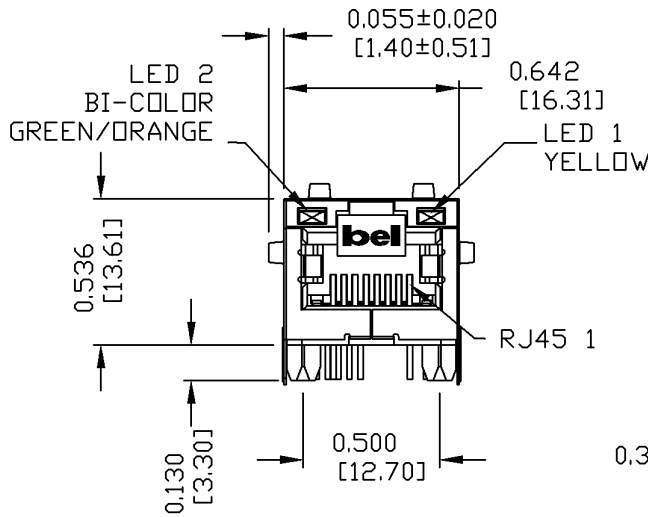
THE INFORMATION CONTAINED HEREIN IS CONSIDERED 'PROPRIETARY' TO BEL FUSE INC. AND SHALL NOT BE COPIED, REPRODUCED OR DISCLOSED WITHOUT THE WRITTEN APPROVAL OF BEL FUSE INC.

MECHANICAL SPECIFICATION

PRELIMINARY



RECOMMENDED PCB FOOTPRINT  
COMPONENT SIDE VIEW



NOTES:

- PLASTIC HOUSING: THERMOPLASTIC PA  
FLAMMABILITY RATING UL 94V-0
- CONTACTS: 50 MICRO-INCH HARD GOLD PLATING
- OUTPUT PINS: TIN-COATED COPPER WIRE, DIA 0.016 AND DIA 0.018 INCH.
- METAL SHIELD: NICKEL PLATED ON COPPER ALLOY.  
(ALL GROUND LEADS ARE SOLDER DIPPED)

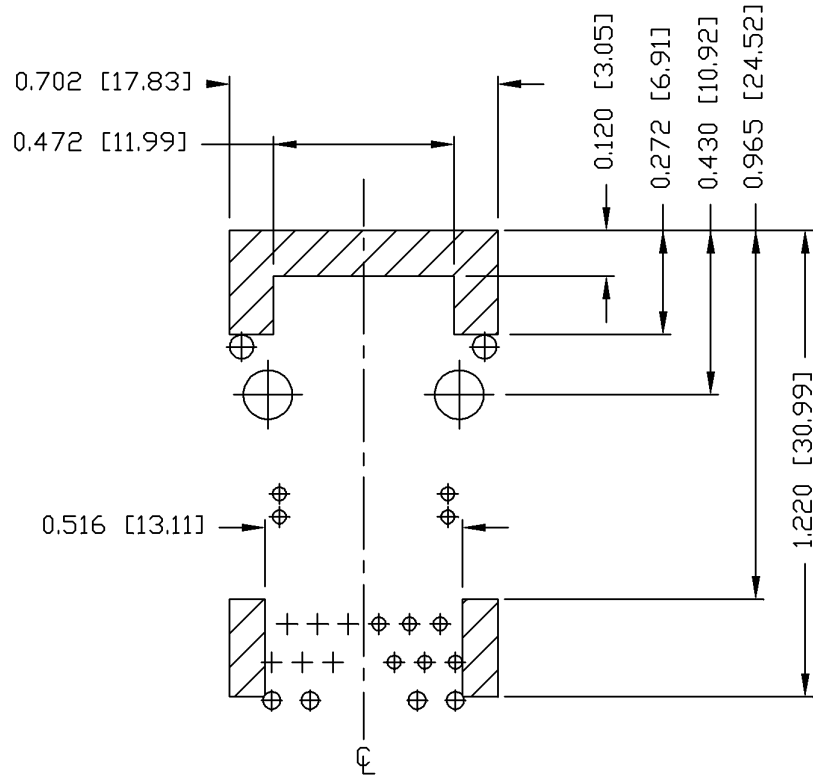
UL RECOGNIZED - FILE #E196366 AND E169987.  
RoHS COMPLIANT, PER EU DIRECTIVE 2002/95/EC  
JACK CAVITY CONFORMS TO FCC RULES AND REGULATIONS.

1. MARK PART WITH MFG LOGO, MFG NAME, PART NUMBER, AND DATE CODE.

ORIGINATED BY ZX HUANG	DATE 03-17-09	TITLE 10/100 MagJack® (PoEp, Extend Temperature)	PART NO. / DRAWING NO. 08261X1TGJ-F	STANDARD DIM. TOL. IN INCH .X .XX .XXX ±0.010	[ ] METRIC DIM. AS REFERENCE UNIT : INCH [mm] SCALE : N/A	REV. : PA SIZE : A4 PAGE : 3	 COMPONENTS ON A CONNECTED PLANET
DRAWN BY BL CHEN	DATE 03-17-09	FILE NAME 08261X1TGJ-F_PA.DWG					

THE INFORMATION CONTAINED HEREIN IS CONSIDERED "PROPRIETARY" TO BEL FUSE INC. AND SHALL NOT BE COPIED, REPRODUCED OR DISCLOSED WITHOUT THE WRITTEN APPROVAL OF BEL FUSE INC.

PRELIMINARY



NOTES

THE SHADED AREA ON THE CUSTOMER BOARD ARE RECOMMENDED TO BE CLEAR OFF ANY VIA HOLE OR COMPONENT PAD.

<b>ORIGINATED BY</b> ZX HUANG	<b>DATE</b> 03-17-09	<b>TITLE</b> 10/100 MagJack® (PoEp, Extend Temperature)	<b>PART NO. / DRAWING NO.</b> 08261X1TGJ-F	<b>STANDARD DIM. TOL. IN INCH</b>	<b>[ ] METRIC DIM. AS REFERENCE</b>	
<b>DRAWN BY</b> BL CHEN	<b>DATE</b> 03-17-09		<b>FILE NAME</b> 08261X1TGJ-F_PA.DWG	.X .XX .XXX	±0.004	UNIT : INCH [mm]
					SCALE : N/A	SIZE : A4
						PAGE : 4



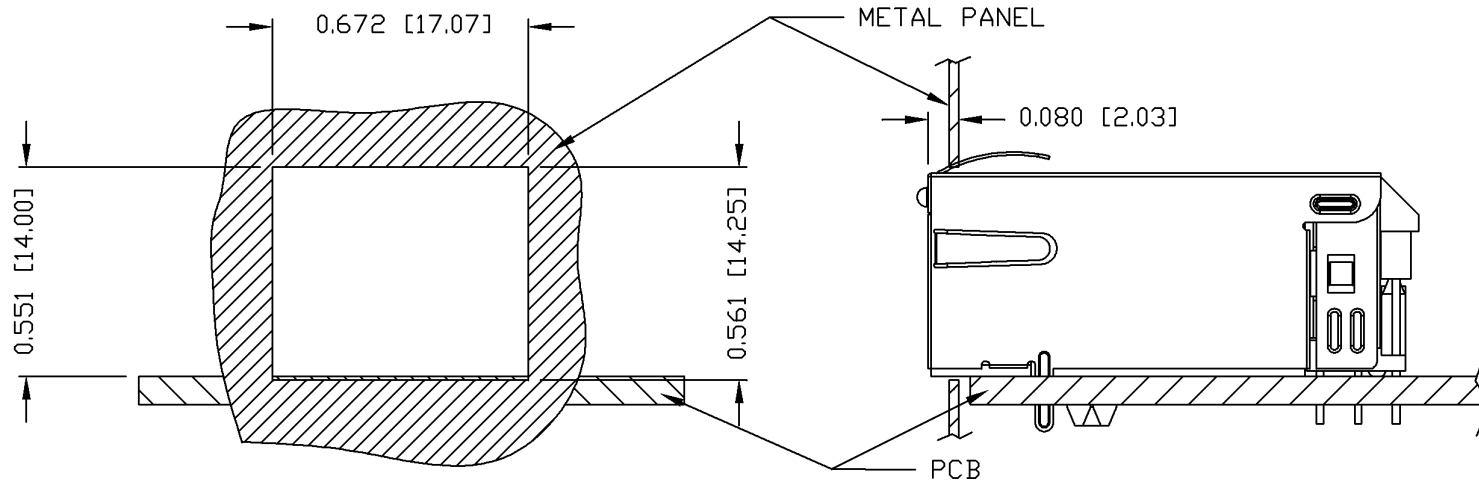
THE INFORMATION CONTAINED HEREIN IS CONSIDERED 'PROPRIETARY' TO BEL FUSE INC. AND SHALL NOT BE COPIED, REPRODUCED OR DISCLOSED WITHOUT THE WRITTEN APPROVAL OF BEL FUSE INC.

RoHS  
2002/95/EC



SUGGESTED PANEL OPENING

PRELIMINARY



NOTE:

THE DISTANCE OF PANEL INSIDE SURFACE RELATIVE TO FRONT SURFACE OF PART IS ONLY A SUGGESTION. IN CASE THIS DISTANCE IS DIFFERENT, THE REQUIRED PANEL OPENING DIMENSIONS CHANGE ACCORDINGLY.

PACKING INFORMATION

PACKING TRAY : 0200-9999-F6 (TOP)

0200-9999-F7 (BOTTOM)

PACKING QUANTITY : 40 PCS FINISHED GOODS PER TRAY

10 TRAYS (400 PCS FINISHED GOODS) PER CARTON BOX

NOTE : CARDBOARDS ARE PLACED BETWEEN LAYERS OF PACKING TRAY INSIDE CARTON BOX

(INCLUDE THE UPPERMOST AND LOWERMOST TRAY)

ORIGINATED BY ZX HUANG	DATE 03-17-09	TITLE 10/100 MagJack® (PoEp, Extended Temperature)	PART NO. / DRAWING NO. 08261X1TGJ-F	STANDARD DIM.		[ ] METRIC DIM. AS REFERENCE		bel
				TOL. IN INCH		UNIT : INCH [mm]	REV. : PA	
DRAWN BY BL CHEN	DATE 03-17-09	0826-1X1T-GJ-F	FILE NAME 08261X1TGJ-F_PA.DWG	.X		SCALE : N/A	SIZE : A4	COMPONENTS FOR A CONNECTED PLANET
				.XX				
				.XXX	±0.004			