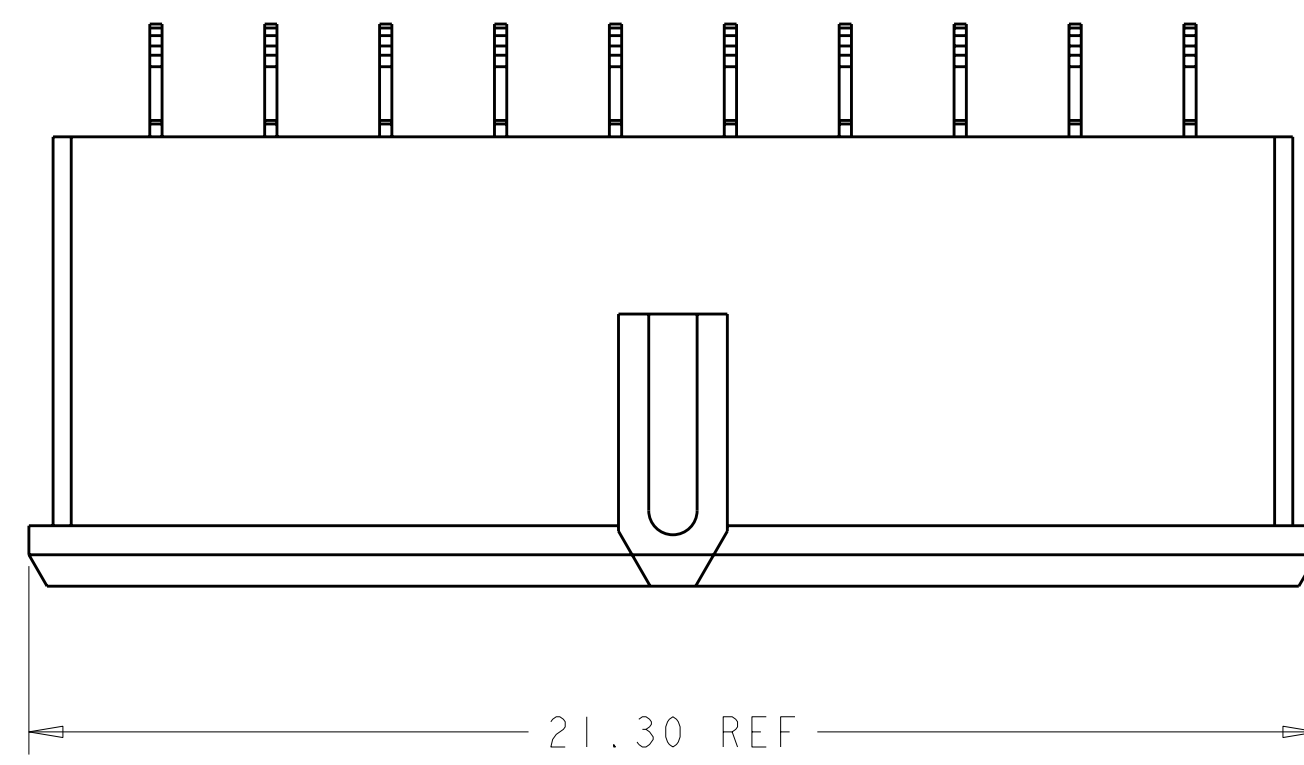
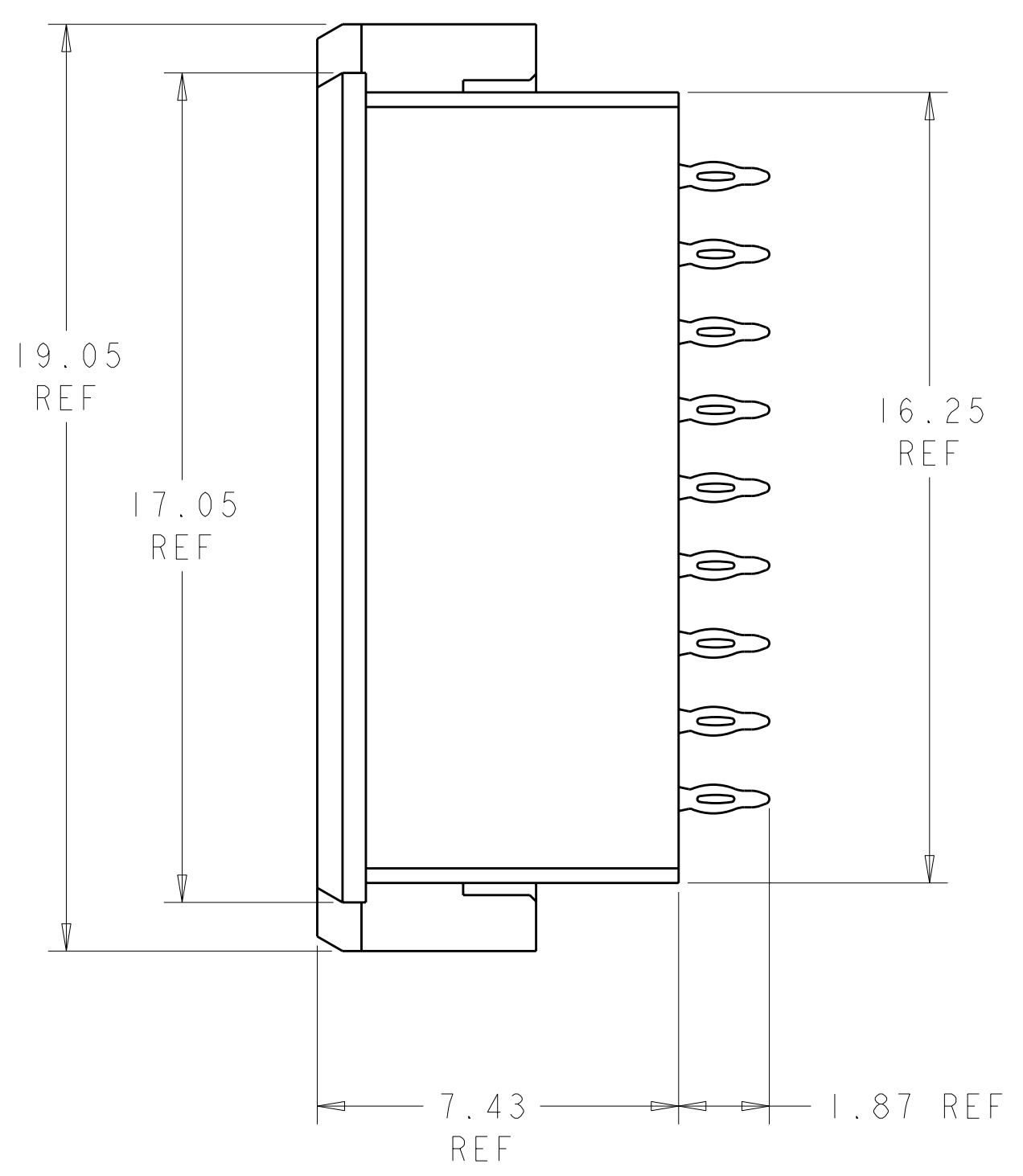
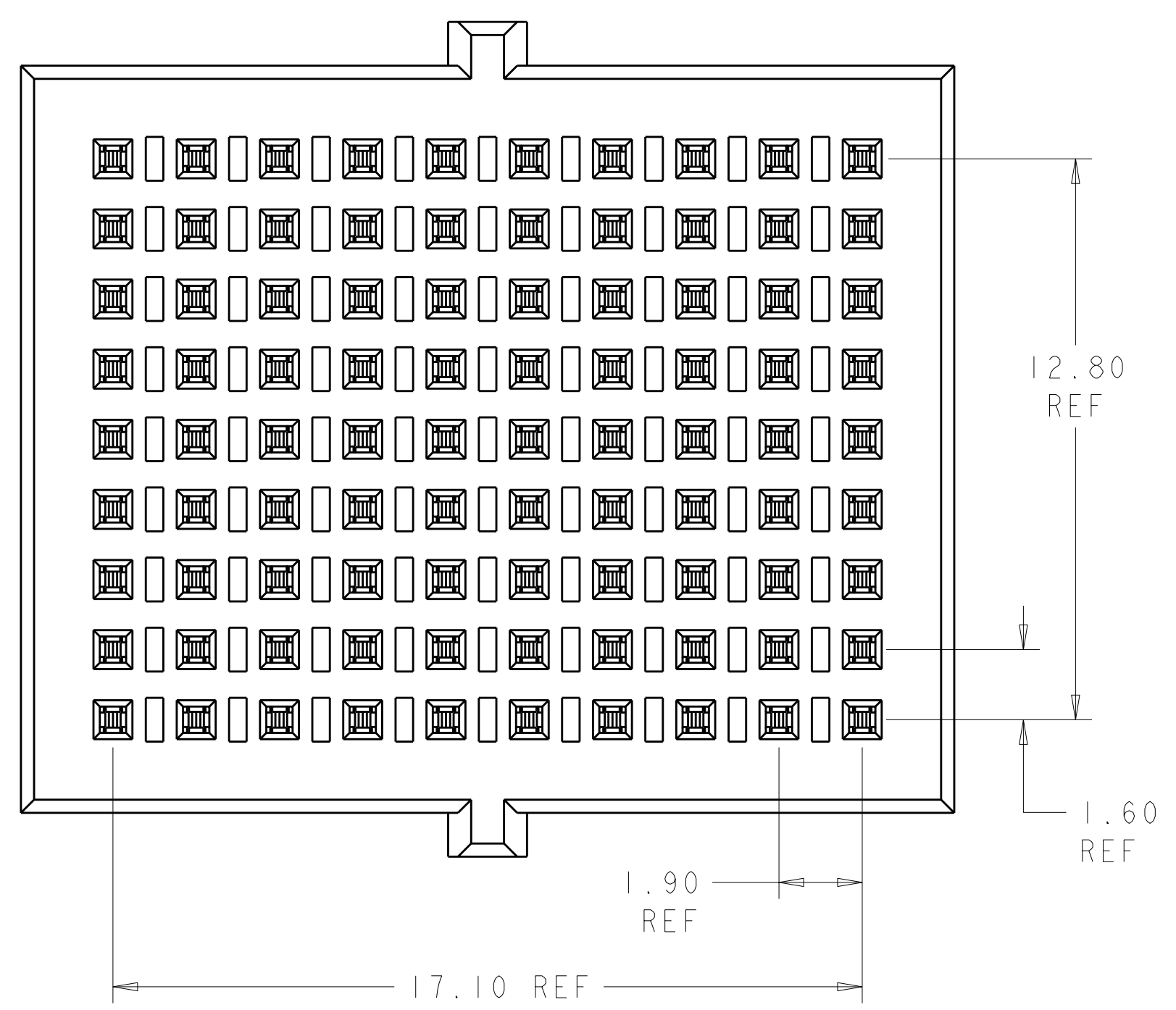
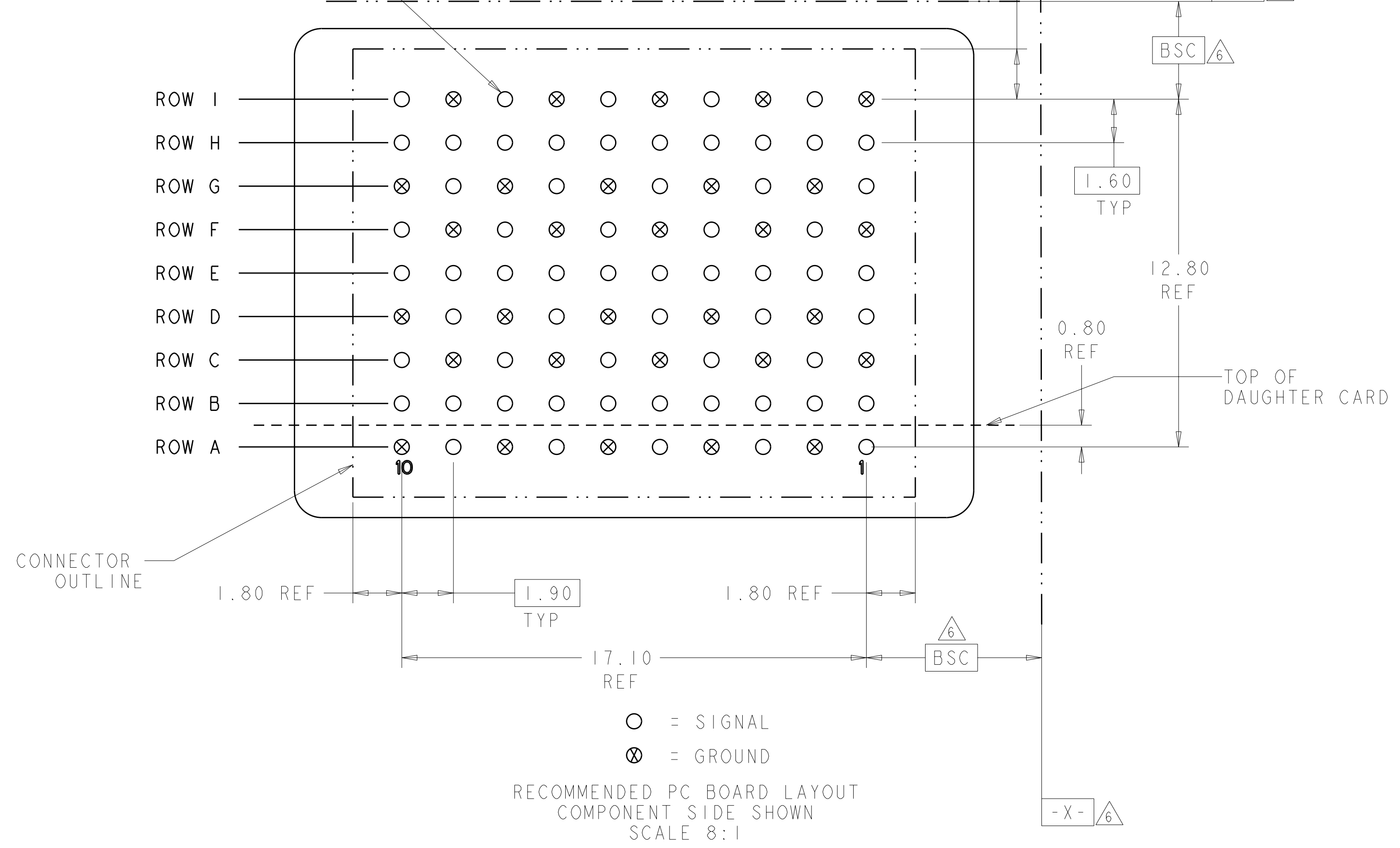


REVISONS		DATE	OWN	APVD
1	PROPOSED	25JUN2009	DCB	-
2	ADDED PLATING DESCRIPTION	08MAY2011	DCB	-



$\text{Ø} \pm 0.05 \text{ X Y}$
 FINISHED HOLE SIZE
 AND PLATED THRU HOLES



- 1 MATERIAL:
CONTACT - COPPER ALLOY
HOUSING - LCP, COLOR - BLACK
- 2 FINISH:
MATING AREA: 1.27µm MIN GOLD OVER
1.25µm MIN NICKEL
- 3 FINISH:
COMPLIANT PIN AREA: 0.38µm MIN BRIGHT TIN LEAD
OVER 1.27µm MIN NICKEL
- 4 FINISH:
COMPLIANT PIN AREA: 0.38µm MIN MATTE TIN
OVER 1.27µm MIN NICKEL
- 5 FINISH:
COMPLIANT PIN AREA: 0.38µm MIN GOLD
OVER 1.27µm MIN NICKEL
- 6 DATUMS AND BASIC DIMENSIONS ESTABLISHED BY CUSTOMER.
- 7 REFERENCE APPLICATION SPEC 114-13267 FOR RECOMMENDED
PLATING THRU HOLE DIAMETER AND PLATING THICKNESS.

2, 5	2102157-3
2, 4	2102157-2
2, 3	2102157-1
FINISH	PART NUMBER

THIS PRODUCT HAS NOT COMPLETED VALIDATION TESTING

THIS PRINT IS
PRELIMINARY
 UNQUALIFIED PRODUCT
 CONTACT PRODUCT ENGINEERING
 BEFORE USING THIS PRINT

DIMENSIONS:		TOLERANCES UNLESS OTHERWISE SPECIFIED:		MATERIAL:		FINISH:	
mm	9 PLC ±0.13	1 PLC ±0.05	5 PLC ±0.05	4 PLC ±0.05	ANGLES ±2°	FINISH	

OWN	D. BELACK	24JUN2009	
CHK	A. TSANG		
APVD	M. McALONIS		
PRODUCT SPEC	108-2409		
APPLICATION SPEC	114-13267		
WEIGHT			
CUSTOMER DRAWING			

NAME	Fortis Zd, 3-PAIR, 10-COLUMN, VERTICAL, SINGLE MODULE ASSEMBLY
SIZE	A
CAGE CODE	100779
DRAWING NO	C=2102157
RESTRICTED TO	
SCALE	8:1
SHEET	1
OF	1
REV	2