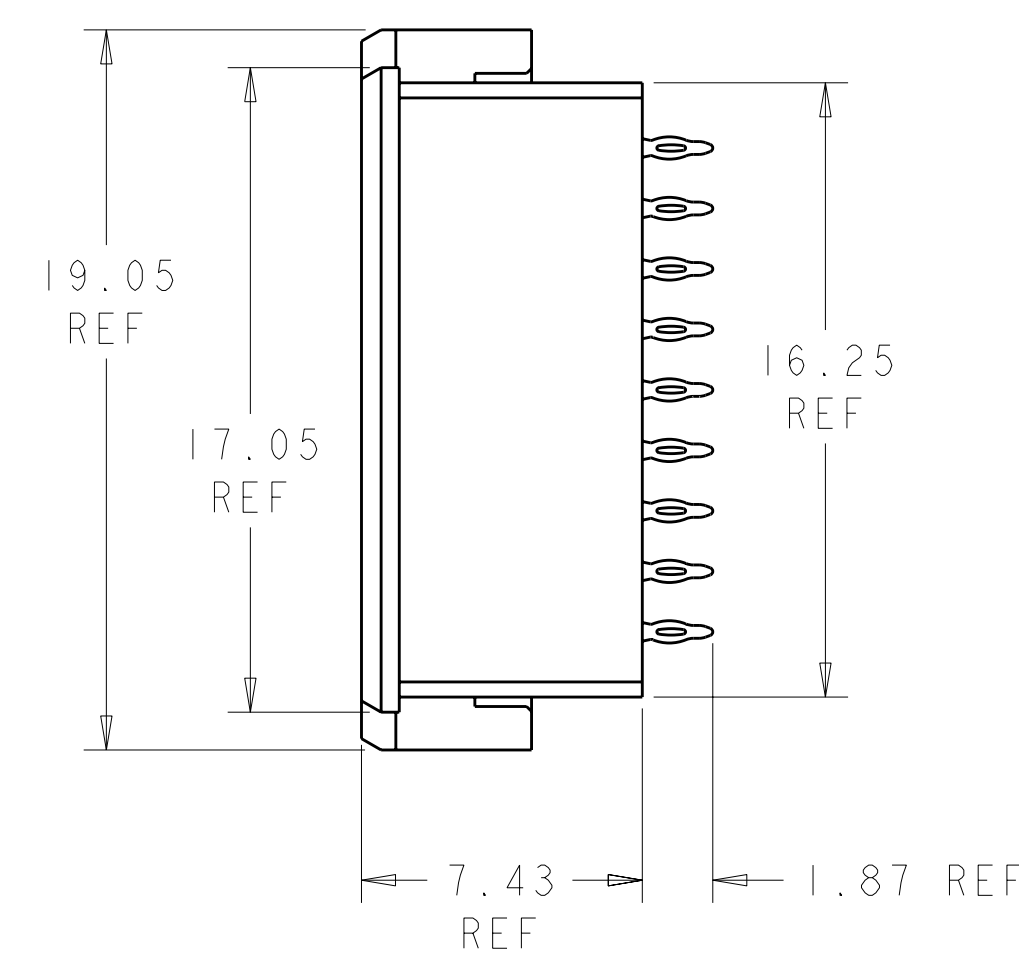
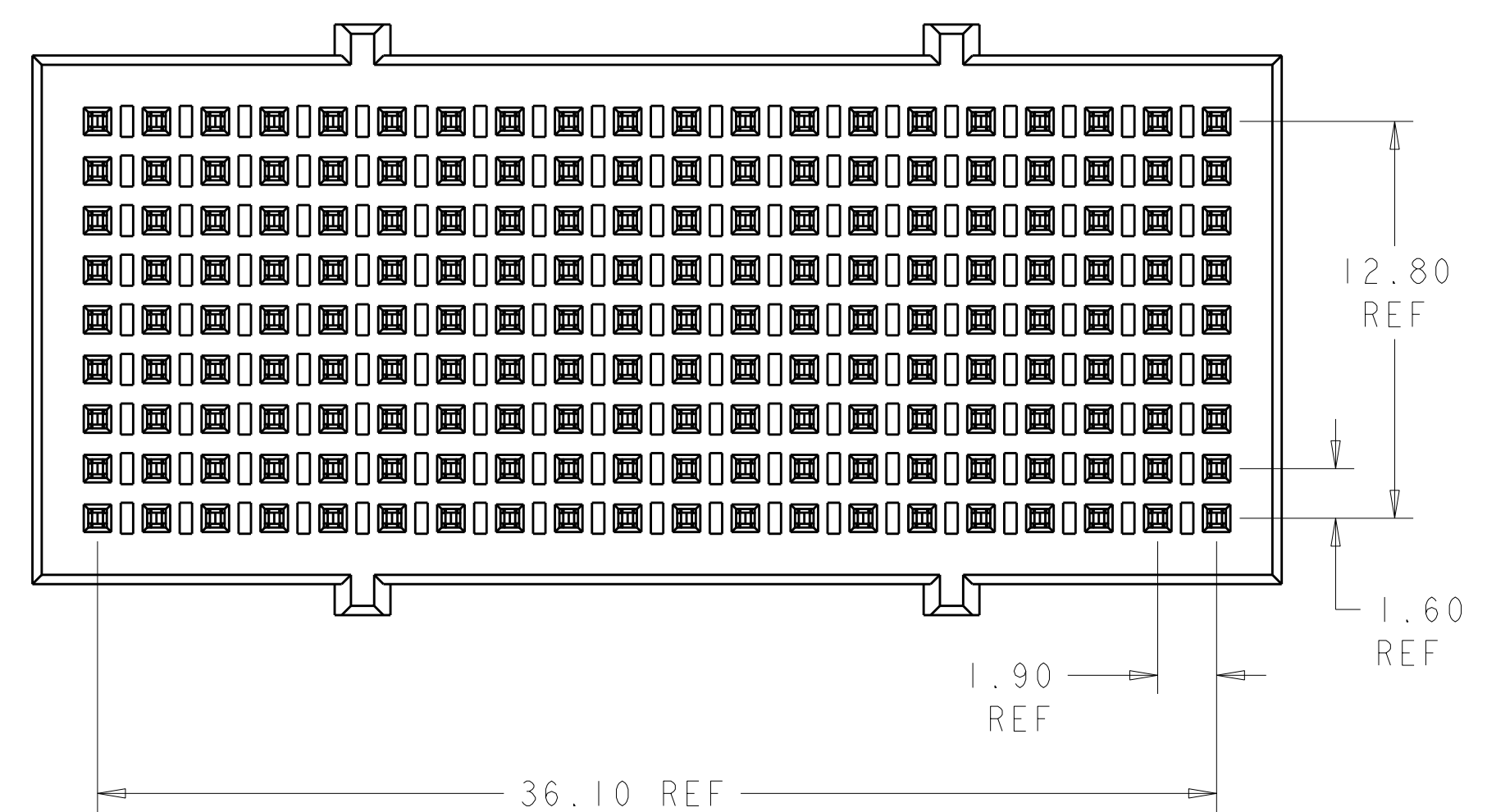
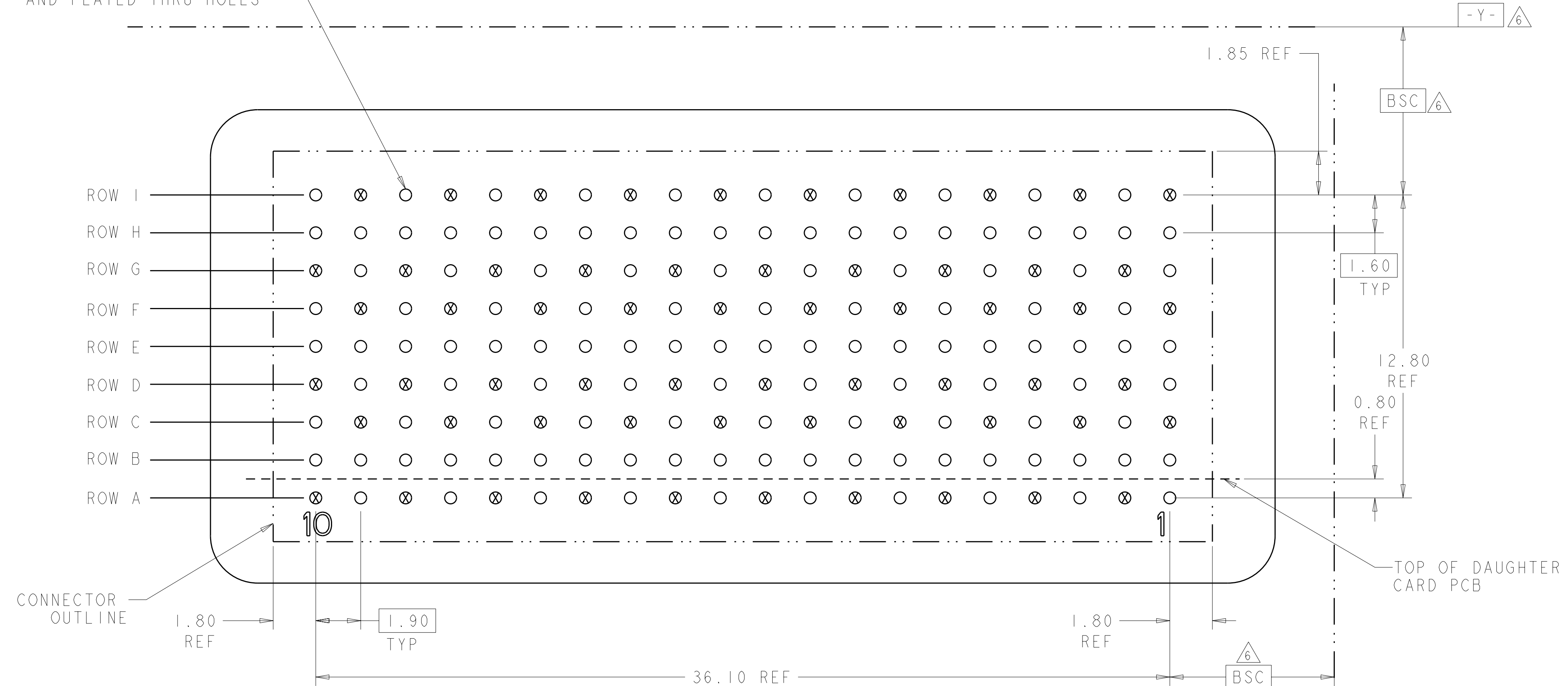
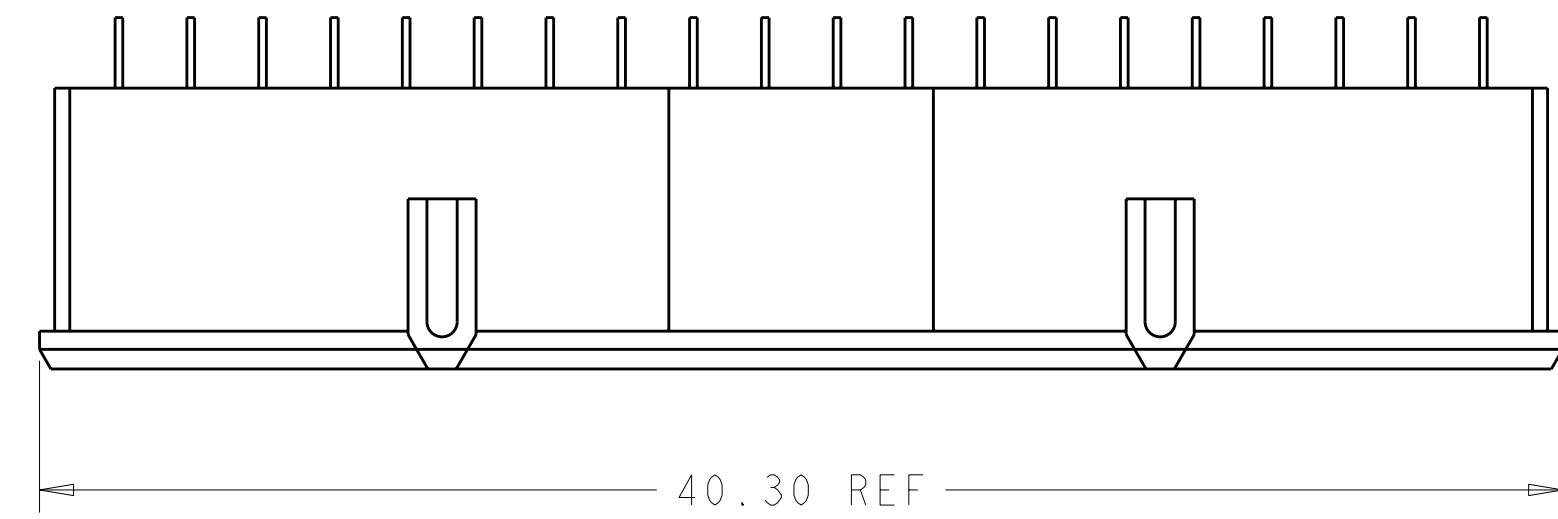


REV	DATE	DESCRIPTION	BY	CHK	APPV
1	06JUL2009	PROPOSED			
2	08MAR2011	ADDED PLATING DESCRIPTION			

$\oplus \varnothing 0.05 \text{ (S)} \text{ | X Y}$
 FINISHED HOLE SIZE
 AND PLATED THRU HOLES



○ = SIGNAL
 ⊗ = GROUND
 RECOMMENDED PC BOARD LAYOUT
 COMPONENT SIDE SHOWN
 SCALE 8:1

- 1 MATERIAL:
CONTACT - COPPER ALLOY
HOUSING - LCP, COLOR - BLACK
- 2 FINISH:
MATING AREA: 1.27µm MIN GOLD OVER
1.25µm MIN NICKEL
- 3 FINISH:
COMPLIANT PIN AREA: 0.38µm MIN BRIGHT TIN LEAD
OVER 1.27µm MIN NICKEL
- 4 FINISH:
COMPLIANT PIN AREA: 0.38µm MIN MATTE TIN
OVER 1.27µm MIN NICKEL
- 5 FINISH:
COMPLIANT PIN AREA: 0.38µm MIN GOLD
OVER 1.27µm MIN NICKEL
- 6 DATUMS AND BASIC DIMENSIONS ESTABLISHED BY CUSTOMER.
- 7 REFERENCE APPLICATION SPEC 114-13267 FOR RECOMMENDED
PLATING THRU HOLE DIAMETER AND PLATING THICKNESS.

FINISH	PART NUMBER
2 5	2102161-3
2 4	2102161-2
2 3	2102161-1

THIS PRODUCT HAS NOT COMPLETED VALIDATION TESTING

THIS PRINT IS
PRELIMINARY
 UNQUALIFIED PRODUCT
 CONTACT PRODUCT ENGINEERING
 BEFORE USING THIS PRINT

DIMENSIONS:		TOLERANCES UNLESS OTHERWISE SPECIFIED:		DWN: D. BELACK 06JUL2009		Tyco Electronics Tyco Electronics Harrisburg, PA 17105-3608	
mm		9 PLC ±0.13		CHK: A. TSALONG		NAME: Fortis Zd, 3-PAIR, 20-COLUMN, VERTICAL, FULL SHROUD ASSEMBLY	
Ø		5 PLC ±0.05		APPV: M. McALONIS		PRODUCT SPEC: 108-2409	
H		4 PLC ±0.05		APPLICATION SPEC: 114-13267		SIZE: CAGE CODE: DRAWING NO: A100779C=2102161	
MATERIAL:		FINISH:		WEIGHT:		RESTRICTED TO:	
△		-		-		SCALE: 5:1 SHEET 1 OF 1 REV 2	
CUSTOMER DRAWING							