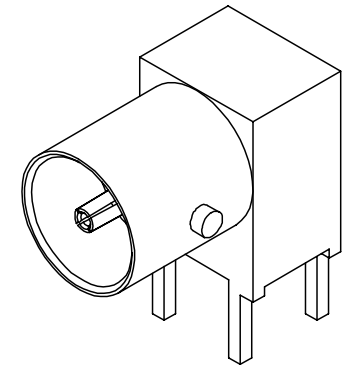


MATERIALS AND FINISHES

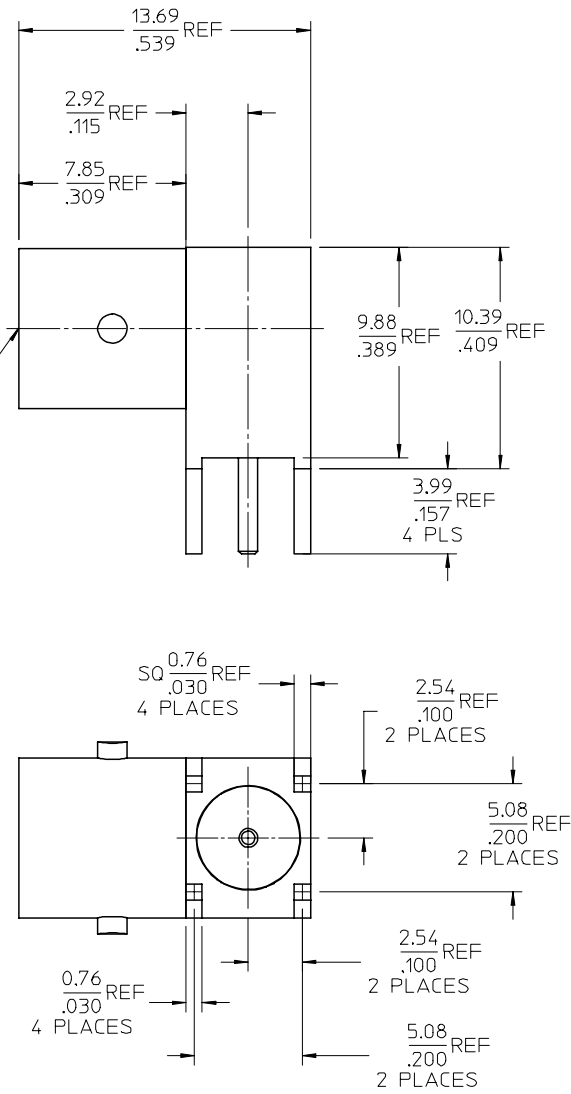
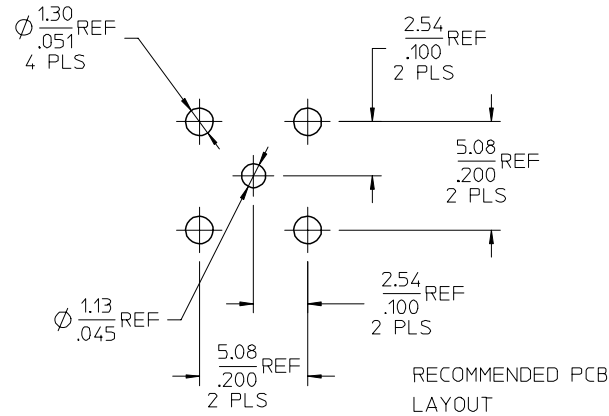
BODY BRASS  
PLATED SEE TABLE

CENTER CONTACT BERYLLIUM COPPER  
PLATED GOLD

INSULATOR TEFLON



MINI BNC JACK  
INTERFACE



73171-2752	73171-2750, ONE PER BAG
73171-2751	GOLD/BULK
73171-2750	NICKEL/BULK
PART NO.	PLATING AND PACKAGING

CHG: ADDED P/N 73171-2752 AND UPDATED BORDER EC NO: URF2007-0376 DRAWN: IFLAHERY 2007/03/14 CHKD: SHAH 2007/03/14 APPR: JIMENER 2007/03/14 A1	QUALITY SYMBOLS 	GENERAL TOLERANCES (UNLESS SPECIFIED)		DIMENSION STYLE MM/IN		SCALE	DESIGN UNITS	THIRD ANGLE PROJECTION																		
		<table border="1"> <tr> <th></th> <th>mm</th> <th>INCH</th> </tr> <tr> <td>4 PLACES</td> <td>± .005</td> <td>± .0005</td> </tr> <tr> <td>3 PLACES</td> <td>± .008</td> <td>± .0008</td> </tr> <tr> <td>2 PLACES</td> <td>± .012</td> <td>± .0012</td> </tr> <tr> <td>1 PLACE</td> <td>± .015</td> <td>± .0015</td> </tr> </table>			mm	INCH	4 PLACES	± .005	± .0005	3 PLACES	± .008	± .0008	2 PLACES	± .012	± .0012	1 PLACE	± .015	± .0015	DRAWN BY JM		DATE	2005/11/29	TITLE	MINI BNC JACK, R/A PCB, 75 OHMS, EWR-2952 MINI BNC-J/RA/PCB		
			mm	INCH																						
		4 PLACES	± .005	± .0005																						
3 PLACES	± .008	± .0008																								
2 PLACES	± .012	± .0012																								
1 PLACE	± .015	± .0015																								
CHECKED BY JM		DATE	2005/11/29	APPROVED BY JDW		DATE	2005/11/29	MOLEX INCORPORATED																		
MATERIAL NO. SEE TABLE		DOCUMENT NO. SD-73171-275		SHEET NO. 1 OF 1		THIS DRAWING CONTAINS INFORMATION THAT IS PROPRIETARY TO MOLEX INCORPORATED AND SHOULD NOT BE USED WITHOUT WRITTEN PERMISSION																				