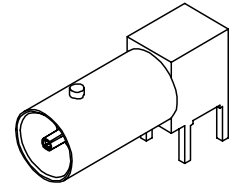


MATERIALS AND FINISHES

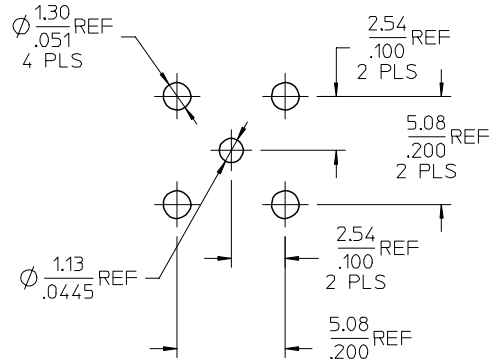
BODY BRASS
PLATED SEE TABLE

CENTER CONTACT BERYLLIUM COPPER
PLATED GOLD

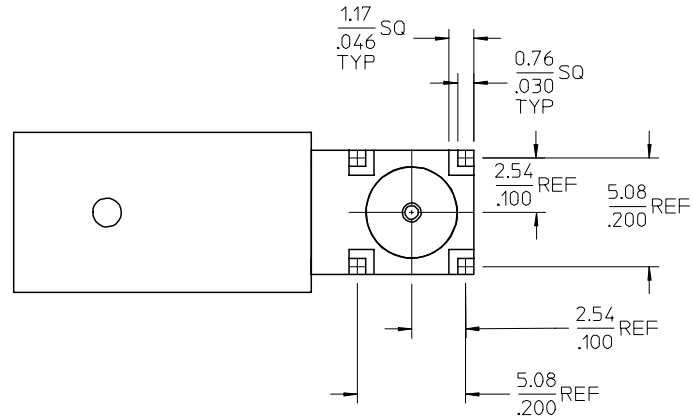
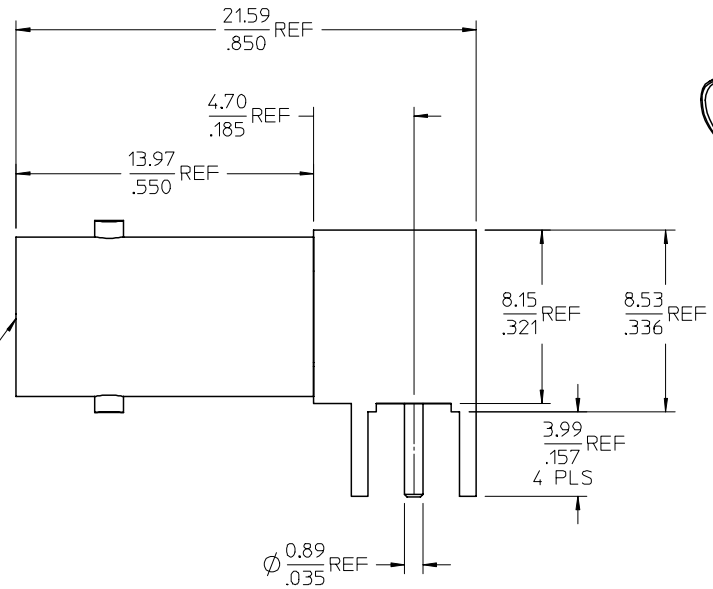
INSULATOR TEFLON



MINI BNC JACK
INTERFACE



RECOMMENDED PCB
LAYOUT



73171-2682	73171-2680, ONE PER BAG
73171-2681	GOLD/BULK
73171-2680	NICKEL/BULK
PART NO.	PLATING/PACKAGING

CHG: ADDED P/N 73171-2682 UPDATED BORDER	EC NO: URF2007-0326	2007/03/14
	DRWN: IFLAHERY	2007/03/14
A2	CHKD: SHAH	2007/03/14
	APPR: JIMENER	2007/03/14

QUALITY SYMBOLS	
	0.005
	0.010

GENERAL TOLERANCES (UNLESS SPECIFIED)	
4 PLACES	± .005
3 PLACES	± .004
2 PLACES	± .003
1 PLACE	± .002
ANGULAR ± 2°	

DIMENSION STYLE	MM/IN
SCALE	AS SHOWN
DESIGN UNITS	METRIC
THIRD ANGLE PROJECTION	
DRAWN BY: SSS DATE: 2005/10/06	
CHECKED BY: TEF DATE: 2005/10/06	
APPROVED BY: JDW DATE: 2005/10/06	
MATERIAL NO. SD-73171-268	
DOCUMENT NO. SD-73171-268	
SHEET NO. 1 OF 1	