

MATERIALS AND FINISHES

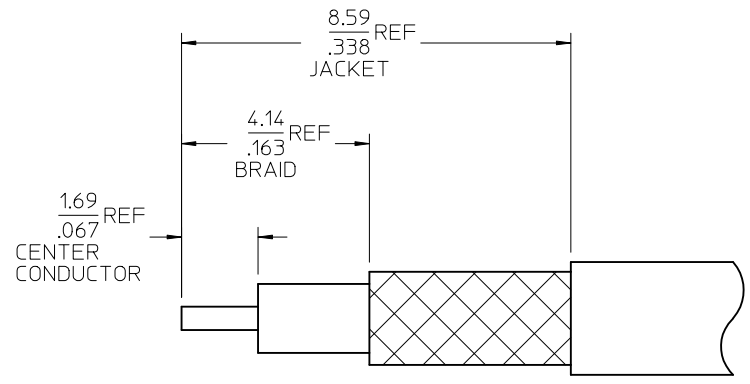
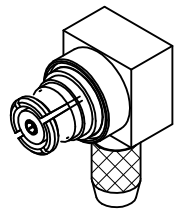
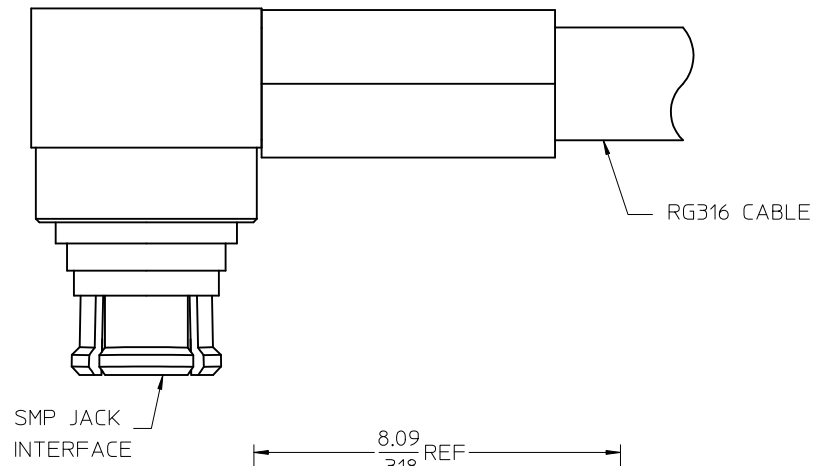
BODY, CRIMP TUBE BRASS
PLATED GOLD

OUTER CONTACT BERYLLIUM COPPER
PLATED GOLD

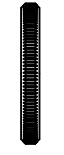
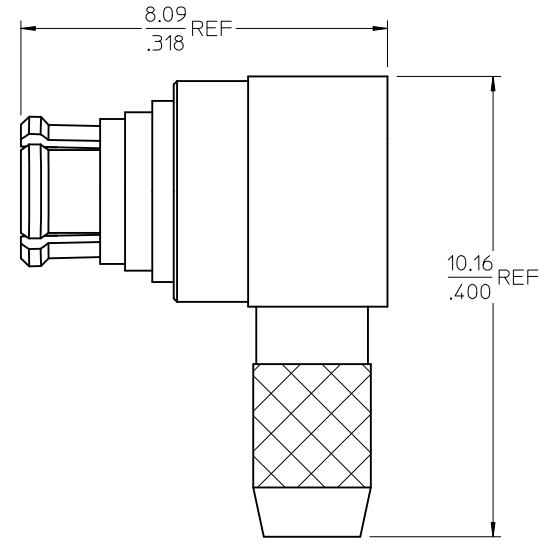
CENTER CONTACT BERYLLIUM COPPER
PLATED GOLD

INSULATOR TEFLON

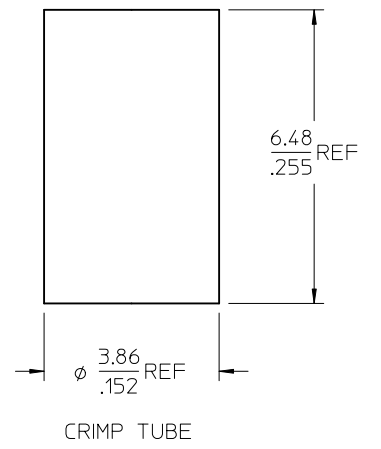
CRIMP USING .128 HEX DIE



RECOMMENDED STRIP DIMENSIONS



CAP



73415-5033	73415-5030 WITH 8u" GOLD
73415-5032	1 PIECE 73415-5030 PER SMALL TRAY
73415-5031	1 PIECE 73415-5030 PER BAG
73415-5030	AS SHOWN
PART NO.	DESCRIPTION

MIL-STD-348A, FIG. 326.1	INTERFACE
SPECIFICATION	DESCRIPTION

CHG: ADDED -5033

EC NO: URF2011-0585
 2011/04/08
 DRWN: JLEE02
 2011/04/08
 CHKD: AZR
 2011/04/11
 APPR: JWIENER
 2011/04/11

QUALITY SYMBOLS
 ▼=0
 ▽=0

GENERAL TOLERANCES (UNLESS SPECIFIED)

	mm	INCH
4 PLACES	± .005	± .0005
3 PLACES	± .005	± .0005
2 PLACES	± .005	± .0005
1 PLACE	± .005	± .0005

ANGULAR ± 2 °

DRAFT WHERE APPLICABLE MUST REMAIN WITHIN DIMENSIONS

DIMENSION STYLE: MM/IN

SCALE: AS SHOWN

DESIGN UNITS: METRIC

THIRD ANGLE PROJECTION

DRAWN BY: TEF
 DATE: 2004/06/10

CHECKED BY: SSS
 DATE: 2004/06/10

APPROVED BY: GMH
 DATE: 2004/06/10

MATERIAL NO.: SEE TABLE

DOCUMENT NO.: SD-73415-503

TITLE: SMP JACK R/A FOR RG316 50 OHMS EWR-2492 SMP-JC/RA

MOLEX INCORPORATED

SHEET NO.: 1 OF 1

THIS DRAWING CONTAINS INFORMATION THAT IS PROPRIETARY TO MOLEX INCORPORATED AND SHOULD NOT BE USED WITHOUT WRITTEN PERMISSION