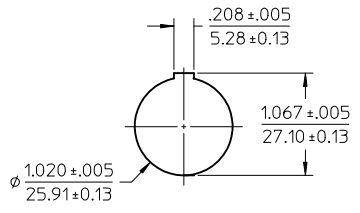
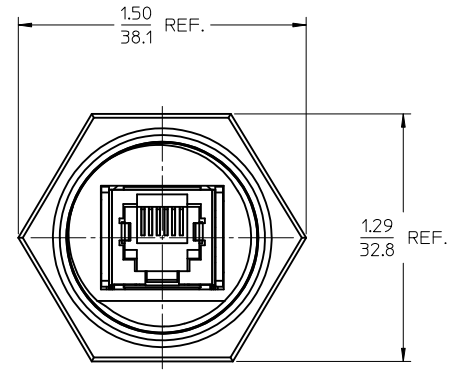
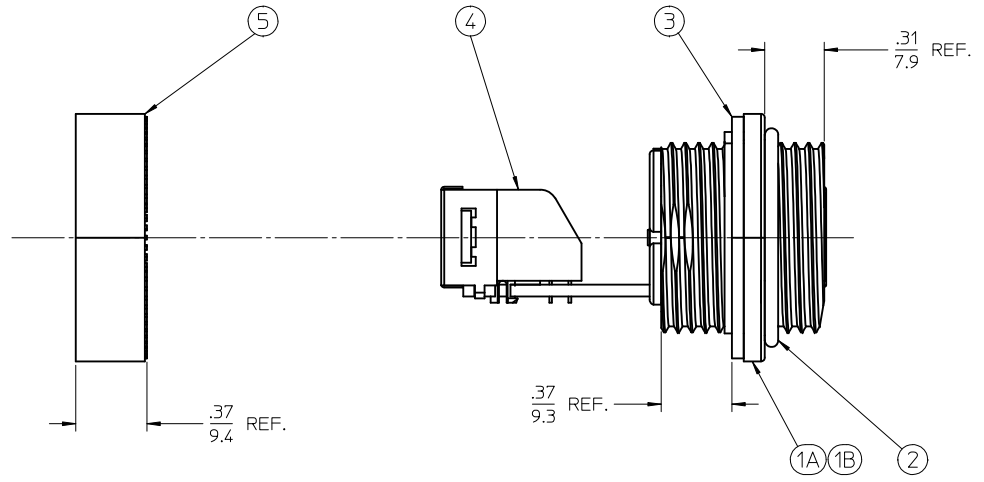
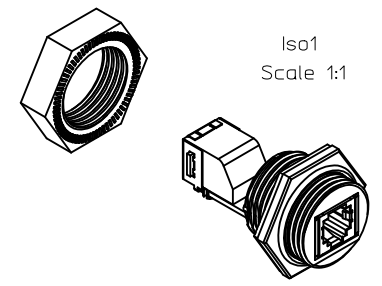
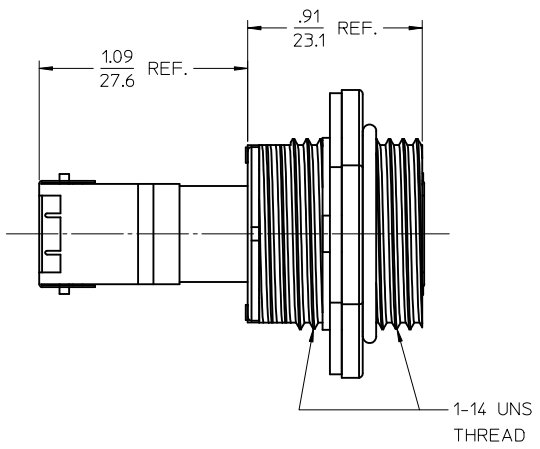


13	12	11	10
MATERIAL NO.	ENGINEERING NO.	STD MATERIAL	UV MATERIAL
1300550014	ENSP6F5	1A	
1300550015	ENSP6F5-V		1B



PANEL CUT OUT
 PANEL THK: .125 MAX. W/GASKET
 .187 MAX. W/OUT GASKET
 .062 MIN.



- NOTES:
 1. MATERIAL: SEE TABLE
 2. FINISHES: SEE TABLE
 3. ELECTRICAL SPEC: VOLTAGE 125 VDC, CURRENT: 15 AMPS
 4. OPERATING TEMP: -20 TO 80°C (-4 TO 176°F)
 5. ENVIRONMENTAL: IP67

5	1	PANEL NUT	ABS	BLACK
4	1	RJ-11/PCB SUB ASSEMBLY		
3	1	BULKHEAD GASKET	NITRILE	BLACK
2	1	O-RING	VITON	BROWN
1B	1	RECEPTACLE HOUSING (UV)	ASA	BLACK
1A	1	RECEPTACLE HOUSING	ABS	BLACK
ITEM	QTY.	DESCRIPTION	MATERIAL	FINISH

MODIFIED CUTOUT EC NO: WNA2012-0069 DRWINK:J02WIK 2011/07/29 CHKD: APPR:JF:MURPHY 2011/08/13	DESCRIPTION
REV	

QUALITY SYMBOLS	GENERAL TOLERANCES (UNLESS SPECIFIED)
▽=0	mm INCH
▽=0	4 PLACES ± --- ± ---
	3 PLACES ± --- ± ---
	2 PLACES ± --- ± .010
	1 PLACE ± 0.3 ± ---
	ANGULAR ± 2 °
	DRAFT WHERE APPLICABLE MUST REMAIN WITHIN DIMENSIONS

DIMENSION STYLE	SCALE	DESIGN UNITS	THIRD ANGLE PROJECTION
IN/MM	2:1	INCH	
DRAWN BY	DATE	TITLE	
RSTONE	2010/06/24	INDUSTRIAL ETHERNET RJ-11 BULKHEAD FEED THRU	
CHECKED BY	DATE	MOLEX INCORPORATED	
B. WOODMAN	2010/06/25	SD-130055-001	
APPROVED BY	DATE	SHEET NO.	
DTITUS	2010/06/28	1 OF 1	
MATERIAL NO.	DOCUMENT NO.	THIS DRAWING CONTAINS INFORMATION THAT IS PROPRIETARY TO MOLEX INCORPORATED AND SHOULD NOT BE USED WITHOUT WRITTEN PERMISSION	
SEE CHART			