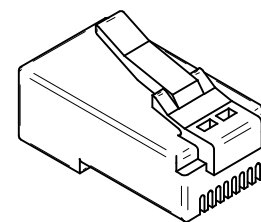
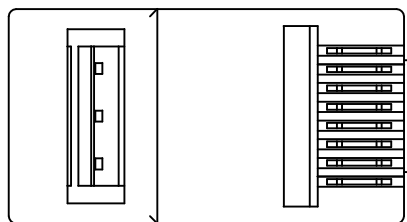
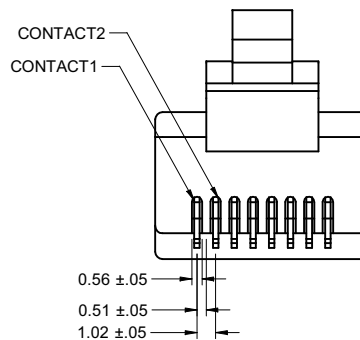
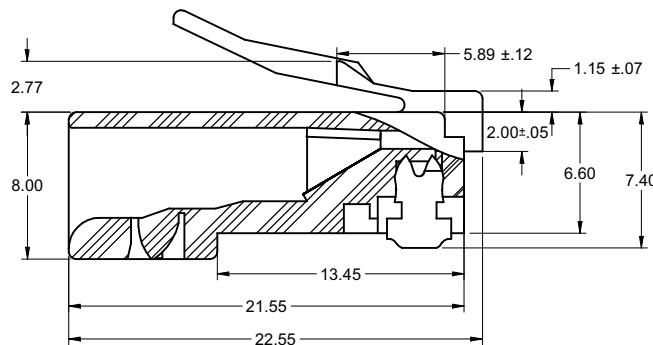
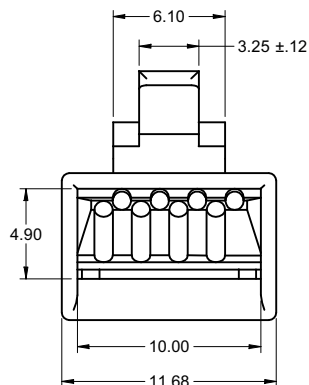
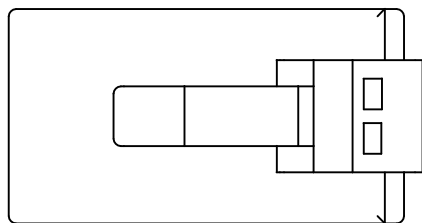


受控 CONTROLLED DOCUMENT

编号 P/N	32-2198U L	版本 Rev	01	日期 Rel'd Date	SEP 14,09
-----------	------------	-----------	----	------------------	-----------

DRAWING NO. 32-2198UL			
REVISIONS			
01	OFFICIAL RELEASE	Y	W
08-15-09	08:45:02	T	2009.09.0



NOTES:

1. ELECTRICAL SPECIFICATIONS

INSULATION RESISTANCE: 1000 MEGOHMS
WITHSTAND VOLTAGE: 1000V,AC/ MINUTE

2. MECHANICAL SPECIFICATIONS

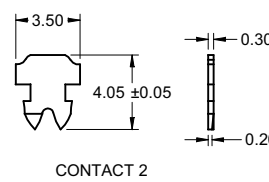
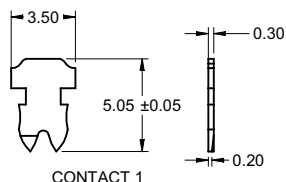
CONTACT MATERIAL: PHOSPHOR BRONZE 0.3MM THICKNESS
CONTACT PLATING: 50 MICRO-INCH GOLD PLATE OVER 100 MICRO-INCH NICKEL PLATING
HOUSING MATERIAL: POLYCARBONATE
DURABILITY: 1000 CYCLES MIN
UL FLAMABILITY RATING: 94-V0

3. ENVIRONMENTAL SPECIFICATIONS

TEMPERATURE RANGE: -40 °C TO +70 °C

4. FOR FLAT OVAL OR ROUND CABLE

5. FOR SOLID OR STRANDED WIRE APPLICATIONS



CONTACT 1

CONTACT 2

TOLERANCE UNLESS OTHERWISE SPECIFIED		DRAWN BY BETTY.YU		DATE 08-15-09	
DECIMALS	mm	CHECKED BY TREEY.W		DATE 08-15-09	
X	+ 0.5	APPROVED BY THOMAS		DATE 08-15-09	
X.X	+ 0.15	U/M		mm	
X.XX	+ 0.10				
ANGLES	+ 0.5°				

THIS DRAWING WAS PRODUCED BY COMPUTER, DO NOT SCALE DRAWING OR UPDATE MANUALLY.

EMERSON Network Power		Connectivity Solutions	
TITLE CAT5 PLUG 50 MIC GOLD-2 PIEC			
SHEET 1 OF 1	DRAWING NO. 32-2198UL	SIZE C	

THIS DRAWING TO BE INTERPRETED PER ANSI Y 14.5M - 1994

COMPANY CONFIDENTIAL