

4

3

2

1

THIS DRAWING IS UNPUBLISHED. RELEASED FOR PUBLICATION

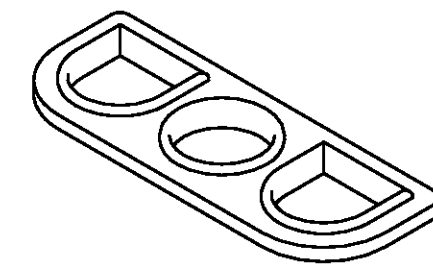
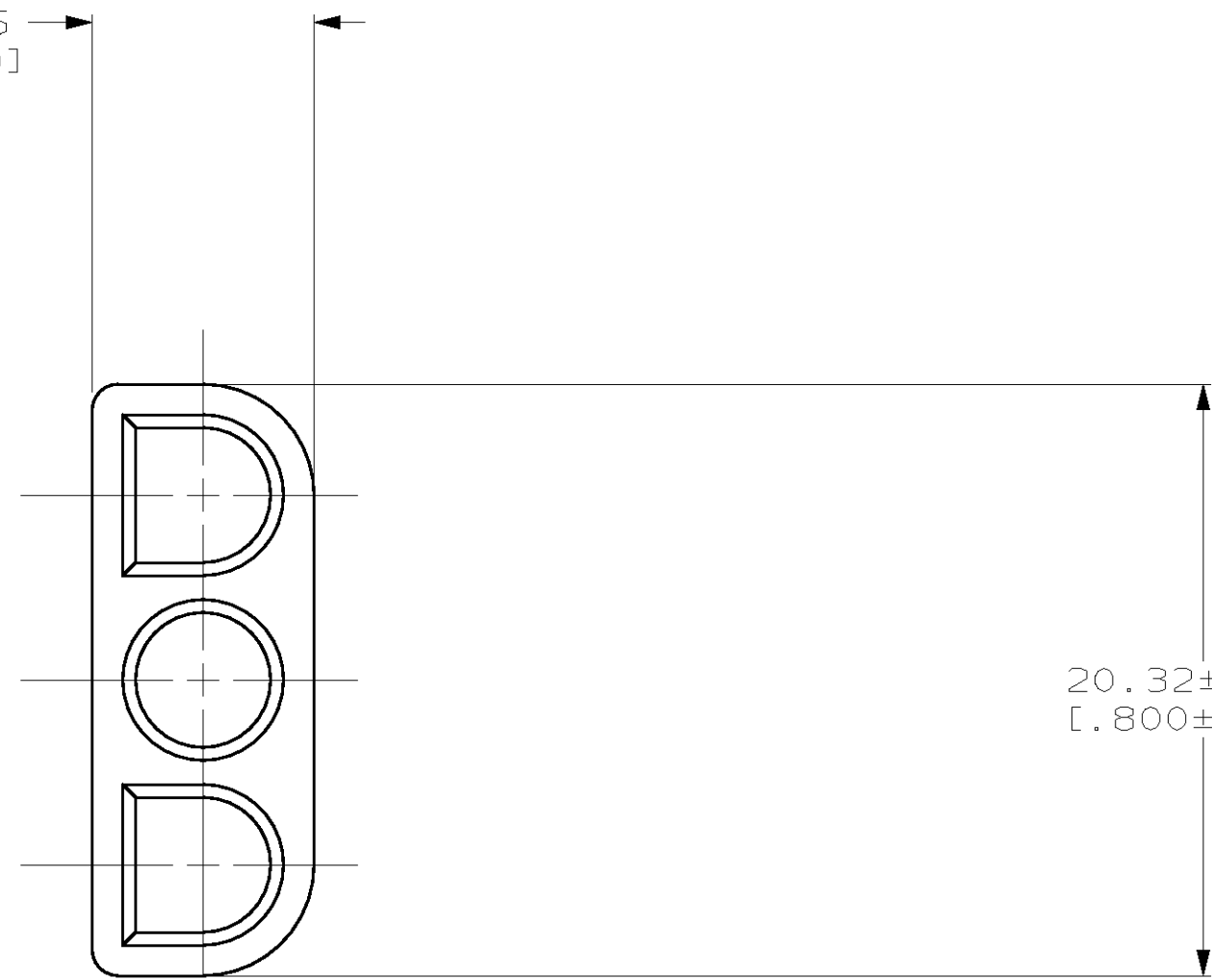
BY AMP INCORPORATED. ALL RIGHTS RESERVED.

LOC		DIST		REVISIONS			
P	LTR	DESCRIPTION	DATE	DWN	APVD		
CM	53	B	REV PER EC 061B-0062-98	24-2-98	JH RS		

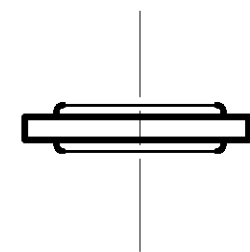
- 1. MATERIAL: SELF LUBRICATING SILICON RUBBER
COLOR: BLUE
- 2. DIMENSIONS IN BRACKETS ARE IN INCHES.

7.62±0.25
[.300±.010]

20.32±0.25
[.800±.010]



3-DIMENSIONAL MODEL
NTS



794271-1
PART NUMBER

METRIC

THIS DRAWING IS A CONTROLLED DOCUMENT.		DWN B. LEWIS 3-25-97	AMP Incorporated Harrisburg, PA 17105-3608	
DIMENSIONS: INCHES		CHK R. SWING 3-25-97	NAME D. SELF	
TOLERANCES UNLESS OTHERWISE SPECIFIED:		APVD D. SELF 3-25-97	PRODUCT SPEC	
0 PLC ±-		APPLICATION SPEC		
1 PLC ±-		WEIGHT		
2 PLC ±-		SCALE 4:1 SHEET 1 OF 1 REV B		
3 PLC ±0.13 [.005]		CUSTOMER DRAWING		
4 PLC ±-		SIZE CAGE CODE DRAWING NO RESTRICTED TO		
ANGLES ±0°30'		A2 00779 C-794271		
MATERIAL		FINISH		

794271