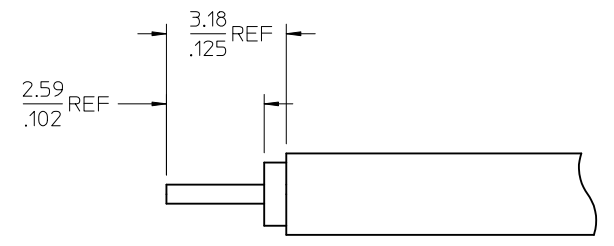
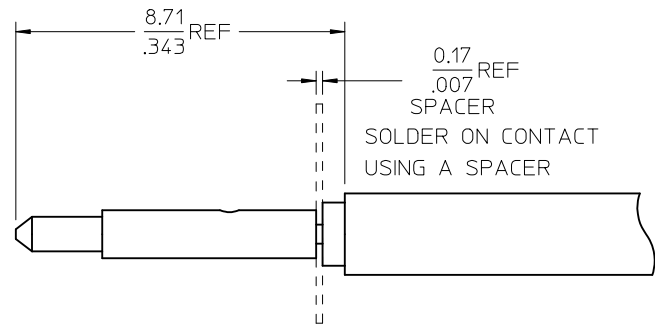
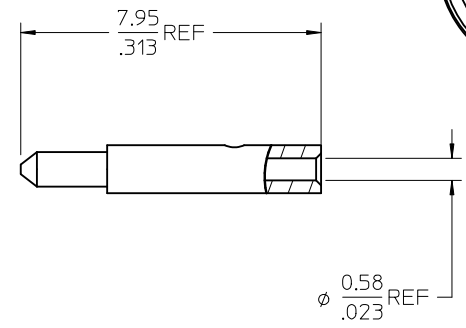
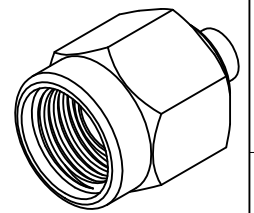
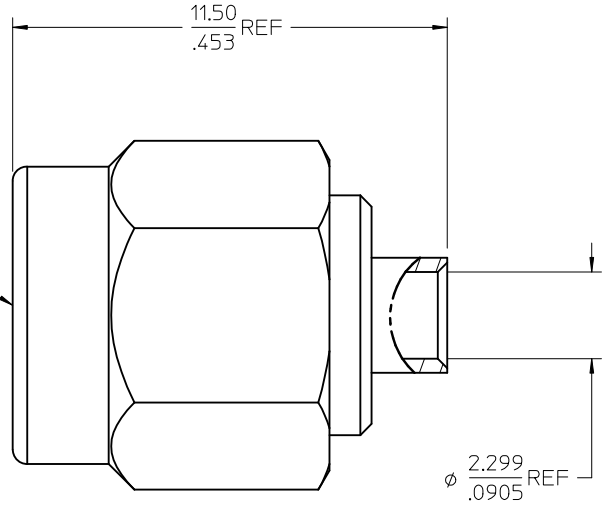


MATERIALS AND FINISHES

- BODY, COUPLING NUT BRASS
PLATED GOLD
- CENTER CONTACT BRASS
PLATED GOLD
- INSULATOR TEFLON
- GASKET SILICONE RUBBER

SMA PLUG
INTERFACE



RECOMMENDED
STRIP DIMENSIONS

73251-3041	ONE PIECE 73251-3040 PER BAG
73251-3040	BULK
PART NO.	PACKAGING

MIL-STD-348A, FIG. 310.1	INTERFACE
SPECIFICATION	DESCRIPTION

CHG: CLARIFIED BAGGING.	EC NO: URF2010-0369	DRWN:ROBERTSON	2009/12/18
		CHKD:SSS	2009/12/18
		APPR:JWIENER	2009/12/18
REV	DESCRIPTION		
A1			

QUALITY SYMBOLS	GENERAL TOLERANCES (UNLESS SPECIFIED)
▽=0	mm INCH
▽=0	4 PLACES ± --- ± ---
	3 PLACES ± --- ± ---
	2 PLACES ± --- ± ---
	1 PLACE ± --- ± ---
	ANGULAR ± 1 °

DRAFT WHERE APPLICABLE
MUST REMAIN
WITHIN DIMENSIONS

DIMENSION STYLE	SCALE	DESIGN UNITS	THIRD ANGLE PROJECTION
MM/IN		METRIC	
DRAWN BY	DATE	TITLE	
JM	2006/07/26	SMA PLUG, STRAIGHT CABLE SR.086, 50 OHMS EWR-3159, SMA-PC	
CHECKED BY	DATE		
JM	2006/07/26		
APPROVED BY	DATE		
JDW	2006/07/26		
MATERIAL NO.	DOCUMENT NO.		
SEE TABLE	SD-73251-304		
SIZE			
C			

MATERIAL NO.	DOCUMENT NO.	SHEET NO.
SEE TABLE	SD-73251-304	1 OF 1
THIS DRAWING CONTAINS INFORMATION THAT IS PROPRIETARY TO MOLEX INCORPORATED AND SHOULD NOT BE USED WITHOUT WRITTEN PERMISSION		