

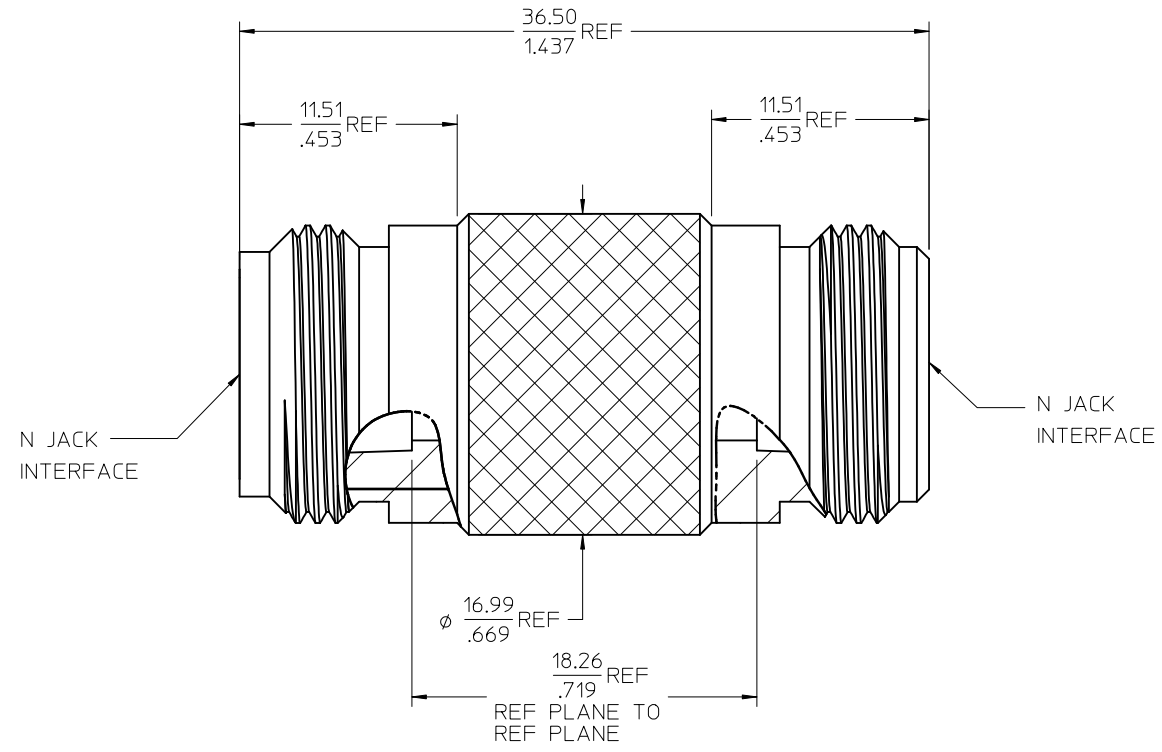
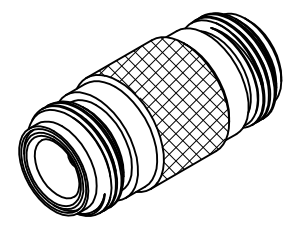
MATERIALS AND FINISHES

BODY BRASS
PLATED NICKEL

CENTER CONTACT BERYLLIUM COPPER
PLATED GOLD

INSULATOR TEFLON

OUTER CONTACT BRASS
PLATED NICKEL



73276-0023	ONE PIECE 73276-0022 PER BAG
73276-0022	BULK
PART NO.	PACKAGING

PS-89675-0940	ELECTRO/MECH PERFORM.
MIL-STD-348A, FIG. 304.2	INTERFACE
SPECIFICATION	DESCRIPTION

CHG: CLARIFIED BAGGING. EC NO: URF2010-0369 DRWN: ARBERTSON 2009/12/18 CHKD: SSS 2009/12/18 APPR: WIENER 2009/12/18	QUALITY SYMBOLS ▽=0 ▽=0	DESCRIPTION REV: A4	GENERAL TOLERANCES (UNLESS SPECIFIED)		DIMENSION STYLE MM/IN		SCALE	DESIGN UNITS METRIC	THIRD ANGLE PROJECTION			
			DRAWN BY JM		DATE 2006/05/31		TITLE N JACK TO N JACK ADAPTER, 50 OHMS EWR-3117, N-AD/JJ					
			CHECKED BY JM		DATE 2006/05/31		APPROVED BY JDW					
							MATERIAL NO. SD-73276-002					
							SHEET NO. 1 OF 1					
			DRAFT WHERE APPLICABLE MUST REMAIN WITHIN DIMENSIONS		SEE TABLE		THIS DRAWING CONTAINS INFORMATION THAT IS PROPRIETARY TO MOLEX INCORPORATED AND SHOULD NOT BE USED WITHOUT WRITTEN PERMISSION					