

MATERIALS AND FINISHES

BODY: STAINLESS STEEL  
PLATED PASSIVATED

JAM NUT: BRASS  
PLATED NICKEL

LOCKWASHER: PHOSPHOR BRONZE  
PLATED NICKEL

CENTER CONTACT PHOSPHOR BRONZE  
PLATED GOLD

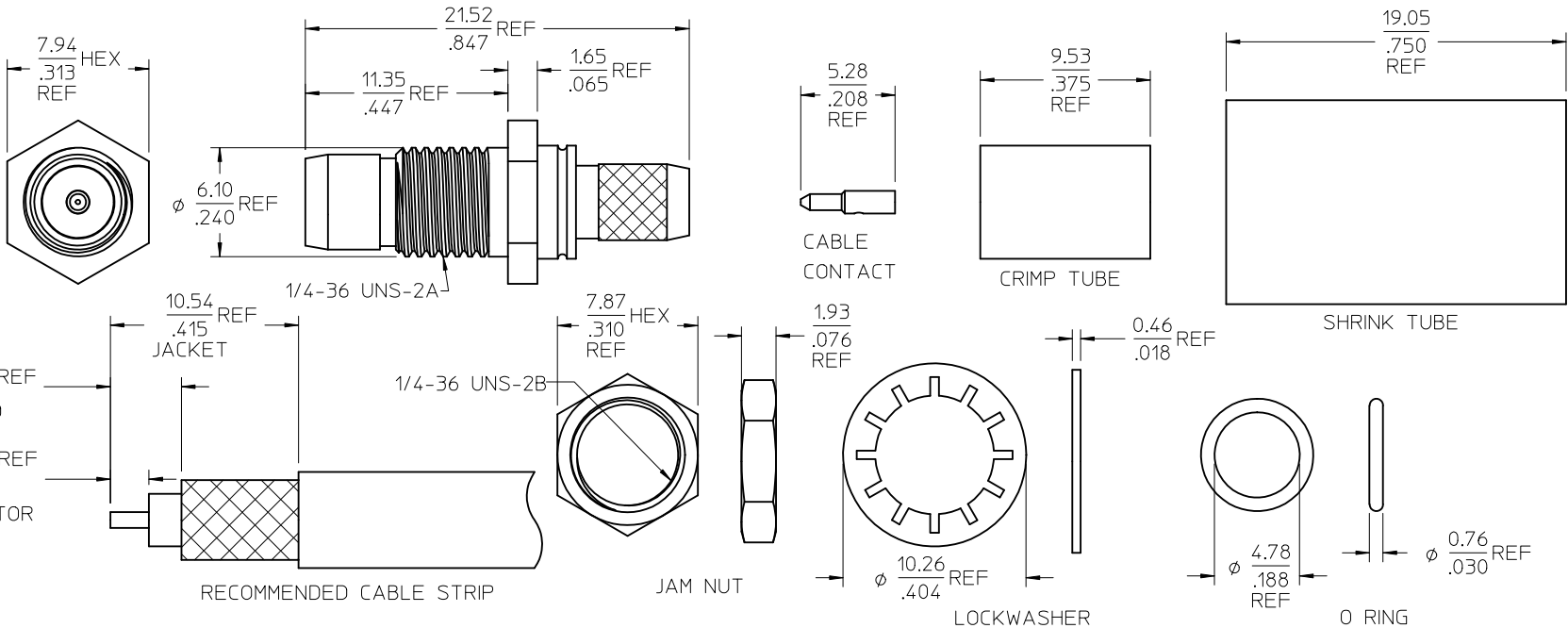
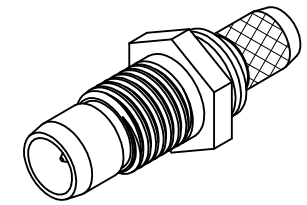
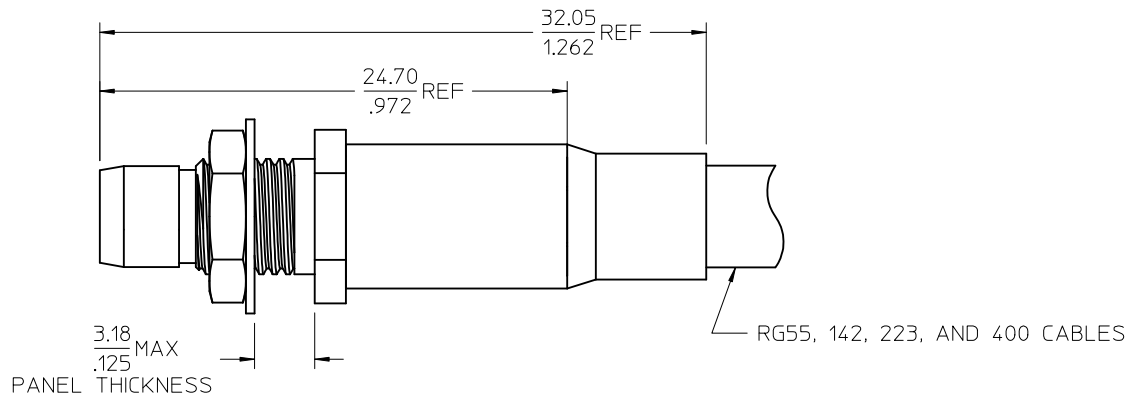
CABLE CONTACT BRASS  
PLATED GOLD

INSULATOR TEFLON

O RING SILICONE RUBBER

CRIMP USING .213 HEX DIE

RECOMMENDED MOUNTING  
HOLE PATTERN



73298-0031	ONE PIECE 73298-0030 PER BAG
73298-0030	BULK
PART NO.	PACKAGING

AS-89678-9400	CABLE ASSEMBLY INSTR.
PS-89675-1850	ELECTRO/MECH SPEC.
MIL-STD-348A, FIG. 321.1	INTERFACE
SPECIFICATION	DESCRIPTION

CHG: CLARIFIED BAGGING. EC NO: URF2010-0369 DRWIN:ROBERTSON 2009/12/18 CHKD:SSS 2009/12/18 APPR:JWIENER 2009/12/18 REV: A2	QUALITY SYMBOLS ▽=0 ▽=0	GENERAL TOLERANCES (UNLESS SPECIFIED) 4 PLACES ± .005 INCH 3 PLACES ± .005 INCH 2 PLACES ± .005 INCH 1 PLACE ± .005 INCH ANGULAR ± 2°	DIMENSION STYLE MM/IN DRAWN BY TEF DATE 2003/10/30 CHECKED BY SSS DATE 2003/11/04 APPROVED BY GMH DATE 2003/11/04	SCALE METRIC DESIGN UNITS METRIC THIRD ANGLE PROJECTION	TITLE BMA PLUG,STR,BLKHD FOR RG55,142,223,400,50 OHM EWR2216 BMA-PC	MATERIAL NO. SEE TABLE DOCUMENT NO. SD-73298-003	SHEET NO. 1 OF 1
		DRAFT WHERE APPLICABLE MUST REMAIN WITHIN DIMENSIONS		THIS DRAWING CONTAINS INFORMATION THAT IS PROPRIETARY TO MOLEX INCORPORATED AND SHOULD NOT BE USED WITHOUT WRITTEN PERMISSION			