

13 12 11 10 9 8 7 6 5 4 3 2 1

MATERIALS AND FINISHES

BODY, OUTER CONTACT, WASHER, RETAINING RING BRASS  
PLATED NICKEL

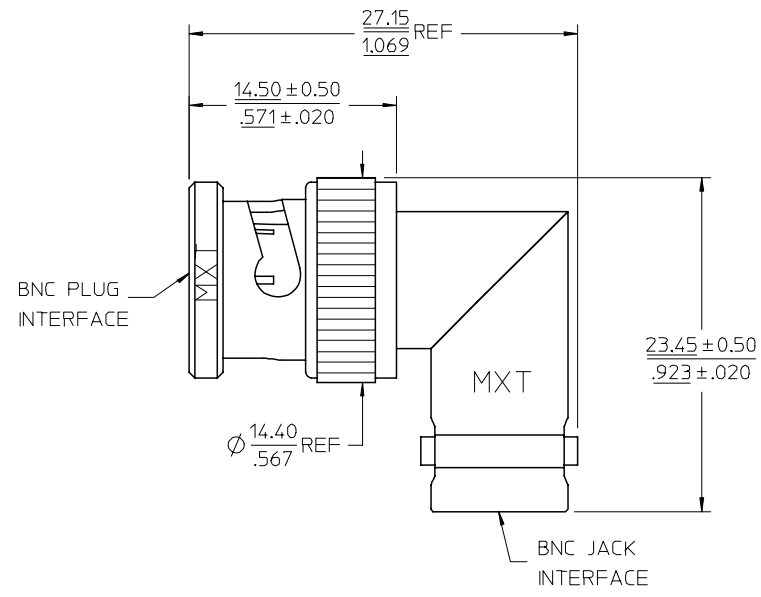
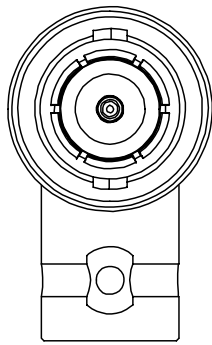
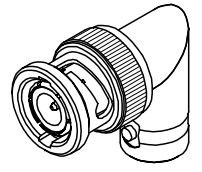
CENTER CONTACT (PLUG)-BRASS, (JACK)-PHOSPHOR BRONZE  
PLATED SILVER

INSULATOR POLYPROPYLENE

COUPLING NUT ZINC ALLOY  
PLATED NICKEL

GASKET SILICONE RUBBER

SPRING WASHER BERYLLIUM COPPER



|               |                     |
|---------------|---------------------|
| PS-73598-0122 | ELECTRO/MECH. SPEC. |
| ES-73599-0000 | INTERFACE PLUG&JACK |
| SPECIFICATION | DESCRIPTION         |

|            |                         |
|------------|-------------------------|
| 73171-3140 | 73151-5001, ONE PER BAG |
| 73151-5001 | BULK                    |
| PART NO.   | PACKAGING               |

CHG: REDREW TO SHOW REVISED COMPONENTS  
 EC NO: URF2008-0020  
 DRAWN: IFLAHERY 2007/07/12  
 CHKD: SHAH 2007/07/12  
 APPR: JIMENER 2007/07/12  
 B3

QUALITY SYMBOLS  
  
 DESCRIPTION

| GENERAL TOLERANCES (UNLESS SPECIFIED)                |        |
|--|--------|
| 4 PLACES   | ± .005 |
| 3 PLACES   | ± .004 |
| 2 PLACES   | ± .003 |
| 1 PLACE  | ± .002 |
| ANGULAR ± 2°   |        |
| DRAFT WHERE APPLICABLE MUST REMAIN WITHIN DIMENSIONS |        |

| DIMENSION STYLE |            |
|-----------------|------------|
| MM/IN           |            |
| DRAWN BY        | DATE       |
| IRIS WANG       | 1991/01/21 |
| CHECKED BY      | DATE       |
| APPROVED BY     | DATE       |
| MATERIAL NO.    |            |
| SEE TABLE       |            |
| SIZE            | C          |

|   |              |                        |
|---|--------------|------------------------|
| SCALE   | DESIGN UNITS | THIRD ANGLE PROJECTION |
|   | METRIC       |                        |
| BNC JACK TO PLUG R/A ADAPTER  |              |                        |
| MOLEX INCORPORATED  |              | SHEET NO.              |
| SD-73151-5001   |              | 1 OF 1                 |
| THIS DRAWING CONTAINS INFORMATION THAT IS PROPRIETARY TO MOLEX INCORPORATED AND SHOULD NOT BE USED WITHOUT WRITTEN PERMISSION |              |                        |

12 11 10 9 8 7 6 5 4 3 2 1