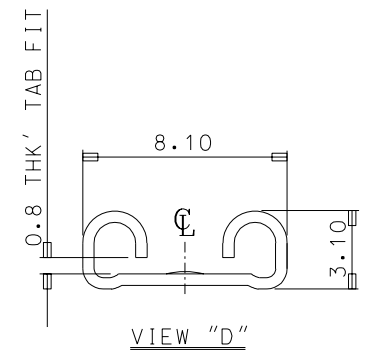
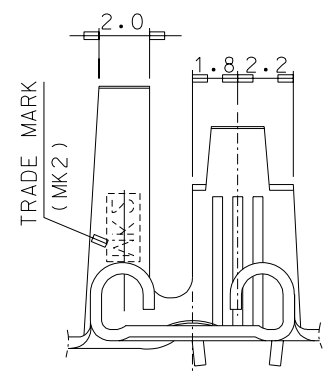
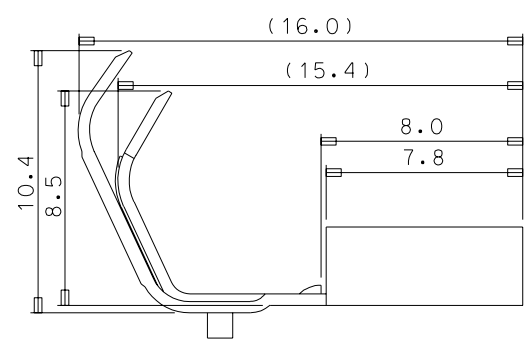
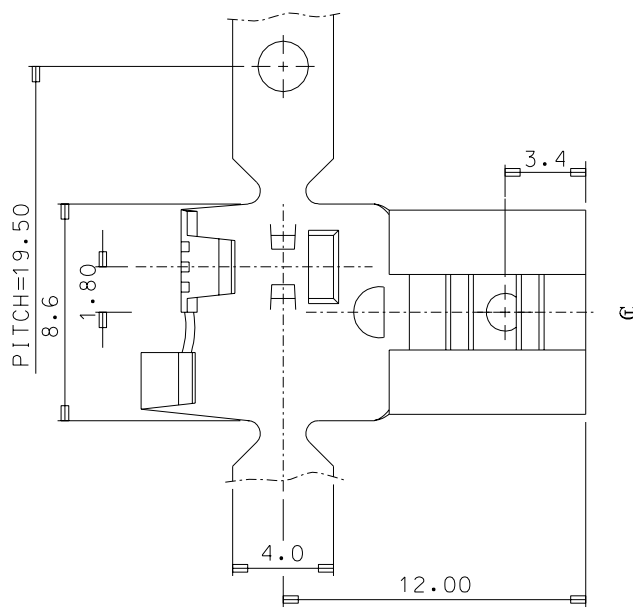


DO NOT SCALE DRAWING
DIMENSION IN METRIC

PROJECT NO. SIMILAR ITEM DWG. NO. SD-35725-26*0



NOTES

1. MATERIAL: BRASS, 0.45mmThk'
2. FINISH: POST-TIN PLATED
3. MATING TAB THICKNESS: 0.8mmThk'
4. APPLICABLE WIRERANE: AWG#18 - #12
5. RECOMMENDED LENGTH OF WIRE STRIP IS 4.8mm - 5.3mm

MATERIAL NO.	ENG NO.	FINISH
357252600	35725-2600	UNPLATED
357252610	35725-2610	POST TIN PLATED

REVISED EC NO. KOR2004-0148 DRWN: C.B.CHIN 04/06/22 CHK: W.Y.YANG APPR: C.W.LEE	QUALITY SYMBOLS MAJOR $\blacktriangledown = \emptyset$ CRITICAL $\blacktriangledown = \emptyset$	GENERAL TOLERANCES: (UNLESS SPECIFIED)		SCALE 5:1	DESIGN UNITS <input checked="" type="checkbox"/> mm <input type="checkbox"/> INCH	<input checked="" type="checkbox"/> THIRD ANGLE <input type="checkbox"/> PROJECTION	DIMENSIONS: <input type="checkbox"/> mm <input type="checkbox"/> INCH <input checked="" type="checkbox"/> mm ONLY	SHT	REV	
		4 PLACES	$\pm 0.$	$\pm.$	DRAWN BY & DATE W.Y.YANG 93/07/21		TITLE: .250 FLAG REC' TERMINAL			
		3 PLACES	$\pm 0.$	$\pm.$	CHECKED BY & DATE B.K.CHOI 93/07/21					
		2 PLACES	± 0.30	$\pm.$	APPROVED BY & DATE C.W.LEE 93/07/21					
1 PLACE	± 0.30	$\pm.$	ANGULAR: \pm °		CAD FILENAME S7252610AA.DGN	MATERIAL NO. SEE NOTES	DRAWING NO. SD-35725-26*0	SHEET NO. 10F1	SIZE B	
C	REV	DRAFT WHERE APPLICABLE MUST REMAIN WITHIN DIMENSIONS		THIS DRAWING CONTAINS INFORMATION THAT IS PROPRIETARY TO MOLEX INCORPORATED AND SHOULD NOT BE USED WITHOUT WRITTEN PERMISSION.					MOLEX INCORPORATED	