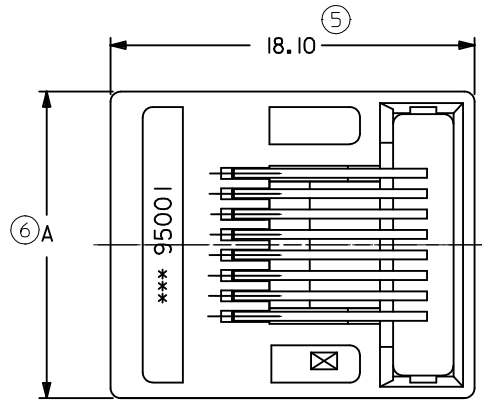
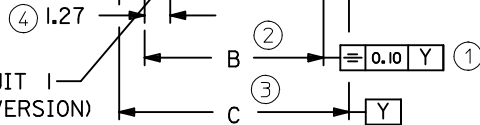


**6 & 8 VERSIONS**

8 VERSION SHOWN

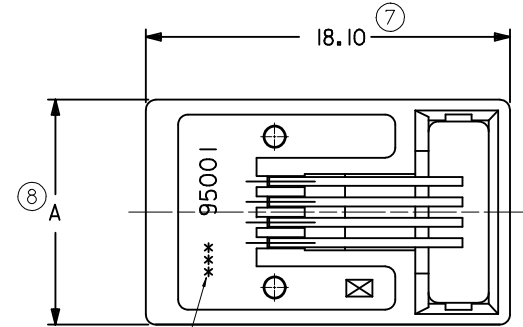
CIRCUIT 1  
(8 CKTS VERSION)

CIRCUIT 1  
(6 CKTS VERSION)



VIEW Z

**4 VERSION ONLY**



NOTE 5

**NOTES :**

**1- MATERIAL:**

- HOUSING: LCP GLASS FILLED UL 94V-0, COLOUR BLACK.
- TERMINAL: COPPER ALLOY

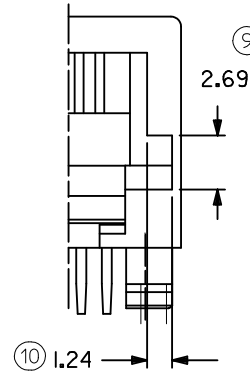
**PLATING 2:**

POST PLATE 0.00127 MIN GOLD IN CONTACT AREA  
0.00190 MIN PURE TIN IN TAIL AREA  
BOTH OVER 0.00127 MIN NICKEL OVERALL.

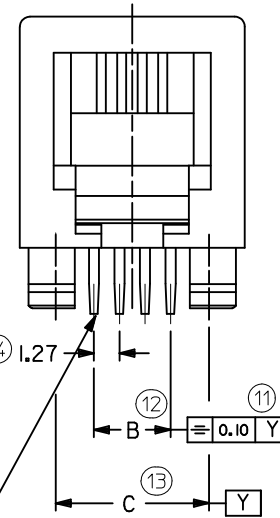
**PLATING 7:**

POST PLATE 0.00005 MIN. GOLD FLASH OVER  
0.00060 MIN PALLADIUM-NICKEL IN CONTACT AREA  
0.00190 MIN PURE TIN IN TAIL AREA  
BOTH OVER 0.00127 MIN NICKEL OVERALL.

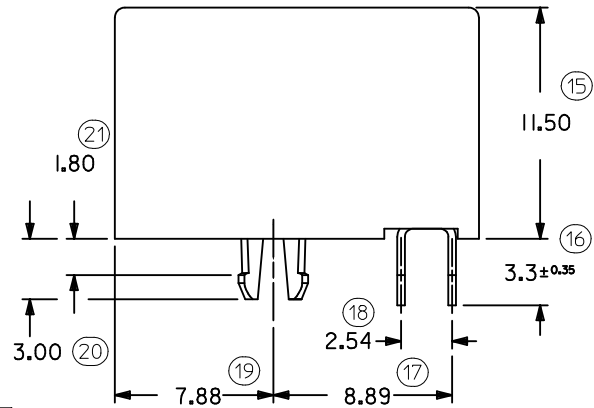
- 2- JACK FOR MATING WITH F.C.C. 68 PLUGS 90075 MOLEX SERIES.
- 3- PRODUCT SPECIFICATION PS-95501.
- 4- PACKAGING SPECIFICATION PK-95001; STANDARD PACKAGING SHEET 1. SPECIAL PACKAGING SHEET 2, TUBE PACKAGING SHEET 3.
- 5- MANUFACTURING I.D. CAN BE EITHER MXF, MG OR MXI.
- 6- RECOMMENDED PCB THICKNESS: 1.57mm  
INSPECTION NUMBERS USED: 1 - 50  
LAST INSPECTION NUMBER: 21



OPTIONAL  
KEYING



CIRCUIT 1  
(4 CKTS VERSION)



DIM.	TYPE	POS. 4		POS. 6		POS. 8	
		4 CKTS.	4 CKTS.	6 CKTS.	6 CKTS.	8 CKTS.	8 CKTS.
A		11.18	13.21	13.21	13.21	15.24	15.24
C		7.62	10.16	10.16	10.16	11.43	11.43
B		3.81	3.81	6.35	6.35	8.89	8.89

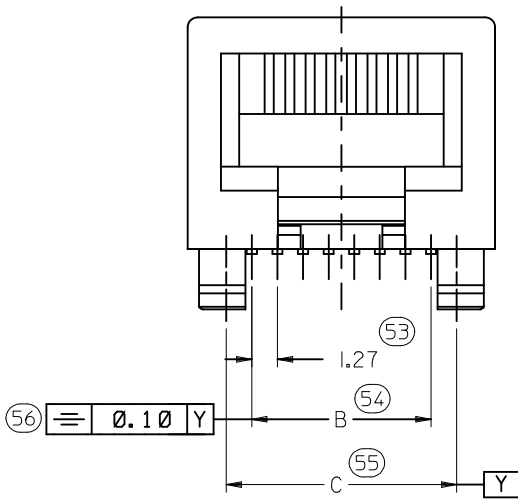
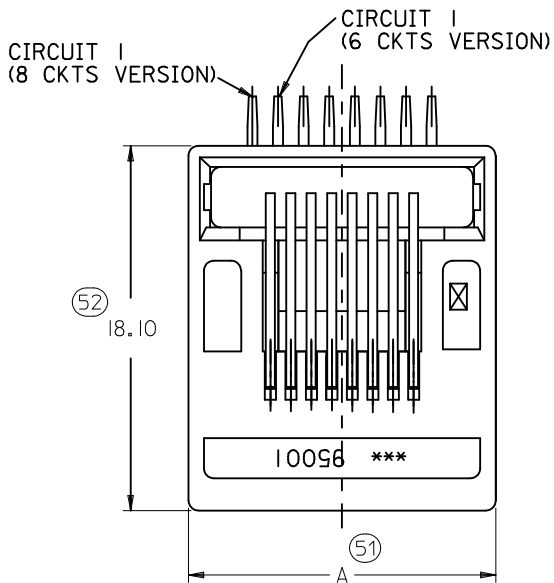
<b>MODIFIED NOTES.</b> EC NO: E2012-0079 DRWN: JOCANNOR 2011/02/23 CHKD: APPR: EFOLAN 2011/09/28	QUALITY SYMBOLS ▽ = 0 ◁ = 0	GENERAL TOLERANCES (UNLESS SPECIFIED) <table border="1"> <tr> <th></th> <th>mm</th> <th>INCH</th> </tr> <tr> <td>4 PLACES</td> <td>± ---</td> <td>± ---</td> </tr> <tr> <td>3 PLACES</td> <td>± ---</td> <td>± ---</td> </tr> <tr> <td>2 PLACES</td> <td>± 0.15</td> <td>± ---</td> </tr> <tr> <td>1 PLACE</td> <td>± 0.25</td> <td>± ---</td> </tr> <tr> <td colspan="3">ANGULAR ± ---°</td> </tr> </table>		mm	INCH	4 PLACES	± ---	± ---	3 PLACES	± ---	± ---	2 PLACES	± 0.15	± ---	1 PLACE	± 0.25	± ---	ANGULAR ± ---°			DIMENSION STYLE <b>MM ONLY</b>	SCALE <b>4:1</b>	DESIGN UNITS <b>METRIC</b>	THIRD ANGLE PROJECTION
		mm	INCH																					
	4 PLACES	± ---	± ---																					
	3 PLACES	± ---	± ---																					
2 PLACES	± 0.15	± ---																						
1 PLACE	± 0.25	± ---																						
ANGULAR ± ---°																								
DRAWN BY DBYRNES	DATE 2006/08/02	TITLE <b>R/A LOW PROFILE PC JACK 4,6,8 CKTS SIZE THROUGH HOLE VERSION</b>																						
CHECKED BY EOMAHONY	DATE 2006/08/12	MOLEX INCORPORATED																						
APPROVED BY EOMAHONY	DATE 2006/08/12	MATERIAL NO. SEE CHART, SHEETS 4 & 5	DOCUMENT NO. SD-95501-001	SHEET NO. 1 OF 5																				

DRAFT WHERE APPLICABLE  
MUST REMAIN  
WITHIN DIMENSIONS

THIS DRAWING CONTAINS INFORMATION THAT IS PROPRIETARY TO MOLEX INCORPORATED AND SHOULD NOT BE USED WITHOUT WRITTEN PERMISSION

**6 & 8 VERSIONS**

8 VERSION SHOWN

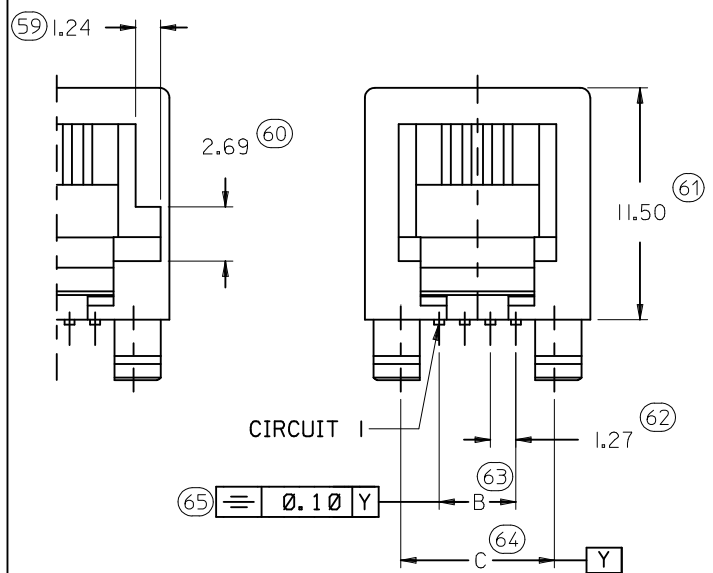


TYPE	POS. 4	POS. 6		POS. 8
	4 CKTS.	4 CKTS.	6 CKTS.	8 CKTS.
A	11.18	13.21	13.21	15.24
C	7.62	10.16	10.16	11.43
B	3.81	3.81	6.35	8.89

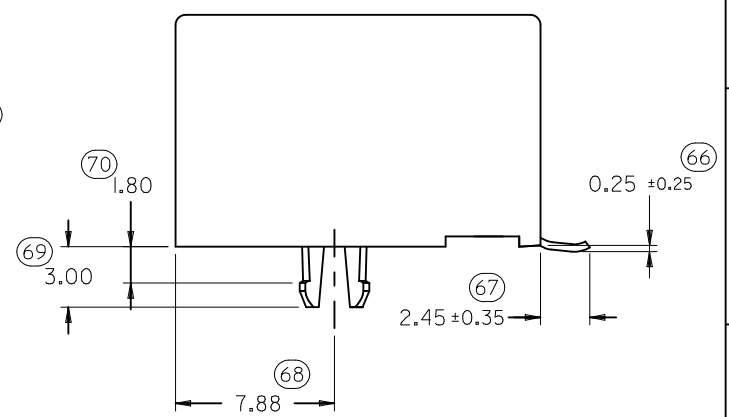
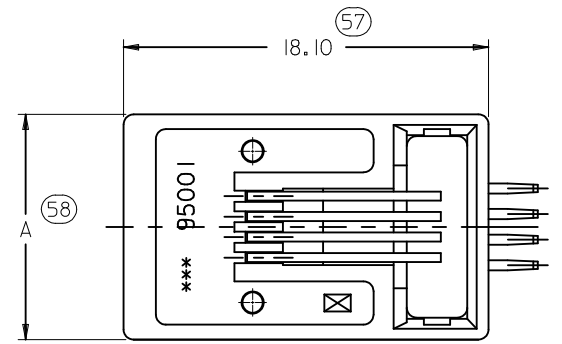
**NOTES :**

- 1- MATERIAL:
    - HOUSING: LCP GLASS FILLED UL 94V-0, COLOUR BLACK.
  - 2- SEE OTHER NOTES SHEET 1
  - 3- COPLANARITY OF SIGNAL TAILS 0.10MM
- INSPECTION NUMBERS USED: 51 - 100  
LAST INSPECTION NUMBER: 70

**OPTIONAL KEYING**

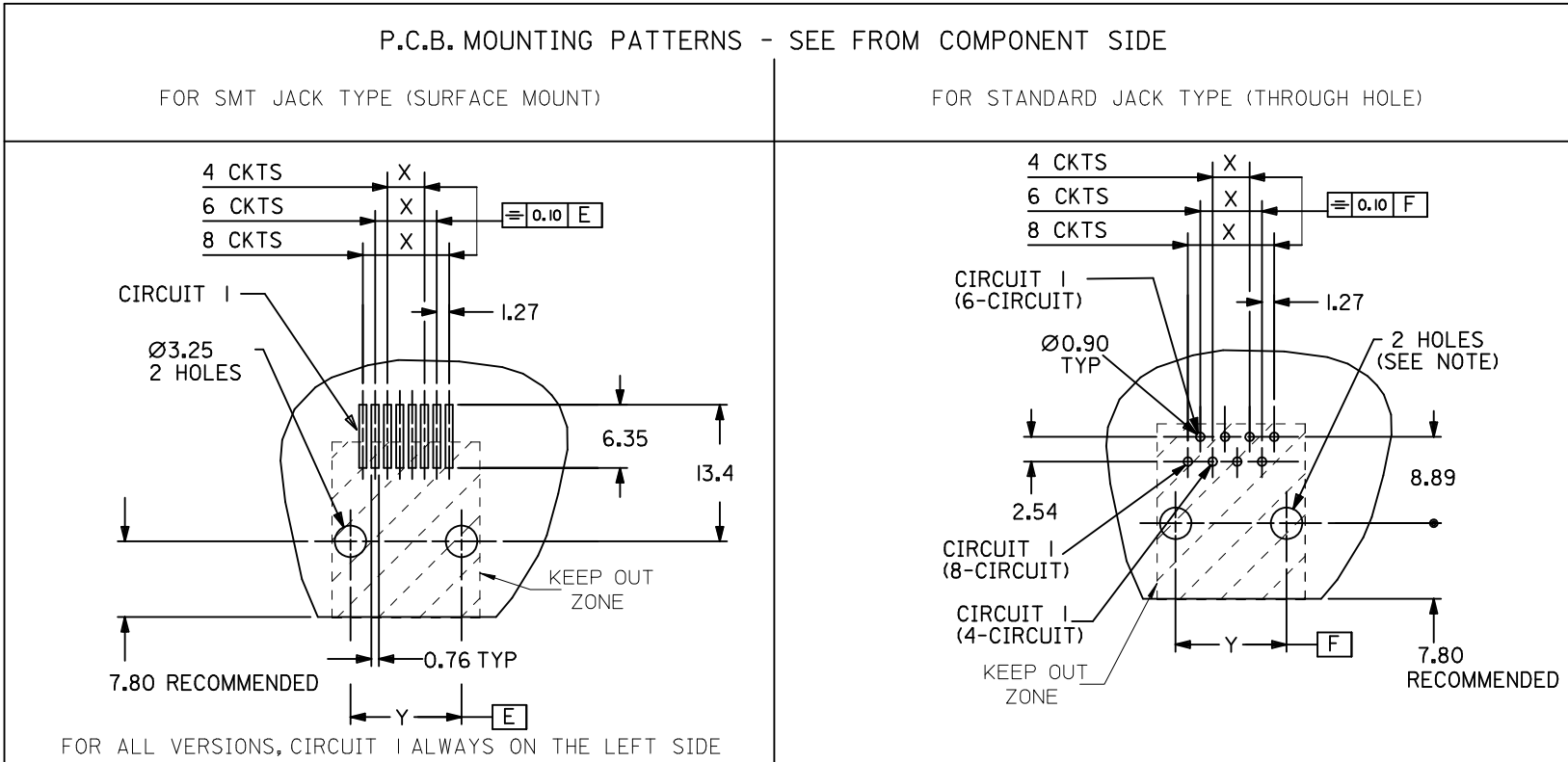


**4 VERSION ONLY**



REMOVED INCHES EC NO: E2012-0079 DRWN: JCONNOR 2011/02/23 CHKD: APPR: EFOLAN 2011/09/28 REV	QUALITY SYMBOLS	GENERAL TOLERANCES (UNLESS SPECIFIED)	DIMENSION STYLE	SCALE	DESIGN UNITS	THIRD ANGLE PROJECTION	
	▼ = 0 ∇ = 0	mm INCH 4 PLACES ± --- ± --- 3 PLACES ± --- ± --- 2 PLACES ± 0.15 ± --- 1 PLACE ± 0.25 ± --- ANGULAR ± ---°	MM ONLY	4:1	METRIC		
			DRAWN BY DATE	TITLE	R/A LOW PROFILE PC JACK 4,6,8 CKTS SIZE SMT VERSION		
			CHECKED BY DATE		MOLEX INCORPORATED		
		APPROVED BY DATE		DOCUMENT NO. SD-95501-001			
		MATERIAL NO.	SHEET NO. 2 OF 5				
DRAFT WHERE APPLICABLE MUST REMAIN WITHIN DIMENSIONS							
SEE CHART SHEETS 4 & 5							
THIS DRAWING CONTAINS INFORMATION THAT IS PROPRIETARY TO MOLEX INCORPORATED AND SHOULD NOT BE USED WITHOUT WRITTEN PERMISSION							

TYPE \ DIM.	POS. 4	POS. 6		POS. 8
	4 CKTS.	4 CKTS.	6 CKTS.	8 CKTS.
Y ±0.05	7.62	10.16	10.16	11.43
X ±0.05	3.81	3.81	6.35	8.89



**NOTE:**  
 FOR CONVECTION SOLDERING: DIA 3.25±0.05  
 FOR WAVE SOLDERING: DIA 3.20±0.10  
 ALL DIMENSIONS REF DIMENSIONS

REMOVED INCHES EC NO: E2012-0079 DRWN: JOCONNOR 2011/02/23 CHKD: APPR: EFOLAN 2011/09/28	QUALITY SYMBOLS	GENERAL TOLERANCES (UNLESS SPECIFIED)	DIMENSION STYLE	SCALE	DESIGN UNITS	THIRD ANGLE PROJECTION
	▼=0 ◻=0	mm    INCH 4 PLACES ± --- ± --- 3 PLACES ± --- ± --- 2 PLACES ± 0.15 ± --- 1 PLACE ± 0.25 ± --- ANGULAR ± ---°	MM ONLY	2:1	METRIC	
	DESCRIPTION	DRAWN BY	DATE	TITLE		
	REV	DATE	DATE	R/A LOW PROFILE JACK PC JACK 4,6,8 CKT SIZE SMT AND STANDARD VERSION		
		APPROVED BY	DATE	MOLEX INCORPORATED		
		MATERIAL NO.	DATE	DOCUMENT NO.		
			2006/08/12	SD-95501-001		
			2006/08/12	SHEET NO.		
				3 OF 5		
				THIS DRAWING CONTAINS INFORMATION THAT IS PROPRIETARY TO MOLEX INCORPORATED AND SHOULD NOT BE USED WITHOUT WRITTEN PERMISSION		

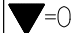
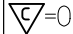

# SPECIAL PACKAGING TUBE, SEE PACKAGING SPEC PK95001 SHEET 3

PART NO FOR JACK ASSEMBLY  
THROUGH HOLE VERSION

PART NO FOR JACK ASSEMBLY  
SMT VERSION

HOUSING SIZE	LOADED CONTACTS	PLATING	LCP GLASS FILED 94V0,COLOR BLACK.										
			NO KEY		KEY								
			NOT RIBBED	TOOLED	NOT RIBBED	TOOLED	TOOLED	TOOLED	TOOLED	TOOLED			
4	4	2	95501-2401	X									
		7	95501-7401	X									
6	4	2	95501-2601	X									
		7	95501-7601	X									
6	6	2	95501-2611	X									
		7	95501-7611	X									
8	8	2	95501-2821	X									
		7	95501-7821	X									

PLATING	LCP GLASS FILLED 94V0 COLOUR BLACK							
	NO KEY		KEY		NO KEY		KEY	
	NOT RIBBED	TOOLED	NOT RIBBED	TOOLED	NOT RIBBED	TOOLED	NOT RIBBED	TOOLED
2	95501-6449	X						
7	95501-7449	X						
2	95501-6649	X						
7	95501-7649	X						
2	95501-6669	X						
7	95501-7669	X						
2	95501-6889	X	95501-6890	X				
7	95501-7889	X	95501-7890	X				

<b>ADDED OPTIONS</b> EC NO: E2012-0079 DRWN: JCONNOR 2011/02/23 CHKD: APPR: EFOLAN 2011/09/28	QUALITY SYMBOLS  =0  =0	GENERAL TOLERANCES (UNLESS SPECIFIED)		DIMENSION STYLE <b>MM ONLY</b>		SCALE ---	DESIGN UNITS <b>METRIC</b>	THIRD ANGLE PROJECTION		
				DRAWN BY	DATE	TITLE <b>LOW PROFILE R/A JACK STANDARD AND SMT VERSION TUBE PACKAGING</b>   <b>MOLEX INCORPORATED</b>				
		4 PLACES	± ---	± ---	DBYRNES					
		3 PLACES	± ---	± ---	CHECKED BY	DATE				
2 PLACES	± ---	± ---	EOMAHONY	2006/08/12						
1 PLACE	± ---	± ---	APPROVED BY	DATE						
		ANGULAR ± ---°		EOMAHONY	2006/08/12	DOCUMENT NO. <b>SD-95501-001</b>		SHEET NO. <b>5 OF 5</b>		
DRAFT WHERE APPLICABLE MUST REMAIN WITHIN DIMENSIONS				SEE CHART						
				MATERIAL NO.	THIS DRAWING CONTAINS INFORMATION THAT IS PROPRIETARY TO MOLEX INCORPORATED AND SHOULD NOT BE USED WITHOUT WRITTEN PERMISSION					