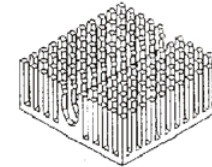
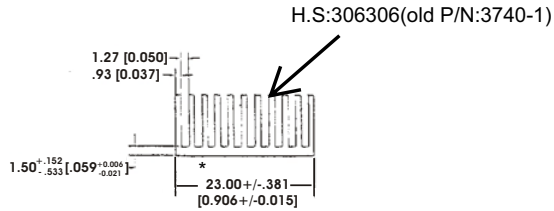
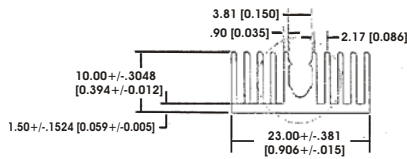
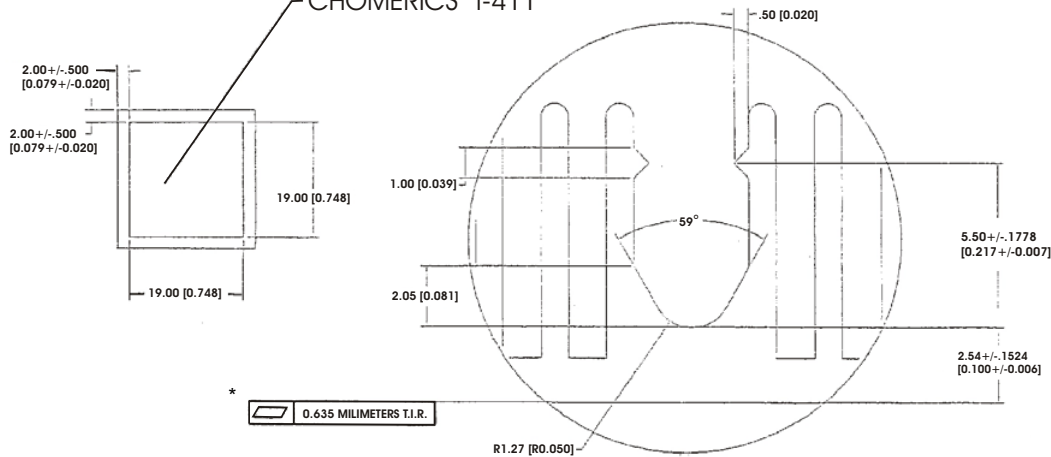


THIS DRAWING AND THE SPECIFICATIONS CONTAINED HEREIN ARE CONFIDENTIAL AND PROPRIETARY. THEY ARE THE PROPERTY OF AAVID THERMAL TECHNOLOGIES INC. AND SHALL NOT BE REPRODUCED OR COPIED OR USED IN WHOLE OR IN PART AS THE BASIS FOR THE MANUFACTURE OR SALE OF ITEMS WITHOUT WRITTEN PERMISSION. THIS IS AN UNPUBLISHED WORK PROTECTED UNDER THE FEDERAL COPYRIGHT LAWS, 1995

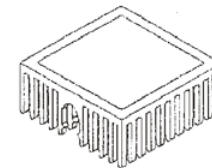
* Denotes critical characteristic for lot inspection



PAD:306236(old P/N: P162-9)
CHOMERICS T-411



A/T P/N:306233(Old P/N:037800/10-3740-01)
REV D ECR#C060518
Created by JackLi
May.10.2006



Refer to BGA 374024B00035

REV.	DATE	DESCRIPTION	CHK *D
C	3/1/06	CHANGE DESC PER ECN# 001521	MIKEL
B	5/30/03	CHANGE DESC PER ECN# 000701	MIKEL



AAVID
THERMALLOY

80 COMMERCIAL ST.
CONCORD, N.H.
03301

ROHS COMPLIANT
PER AAVID SPEC: ROHS - 9000

FINISH	BLACK ANODIZE
U/O	
MAT'L	6063-T5
TOLERANCE UNLESS NOTED	
.XX	= ±.015 [±.38]
.XXX	= ±.010 [±.25]
ANGULAR	± 3°

DRAWING NO.		306233		
STANDARD DESCRIPTION				
BGA,374024B00035G				
DATE	DRAWN	ENGR.	APP'D	SCALE
12/14/01	RMR			FULL
SHEET				