

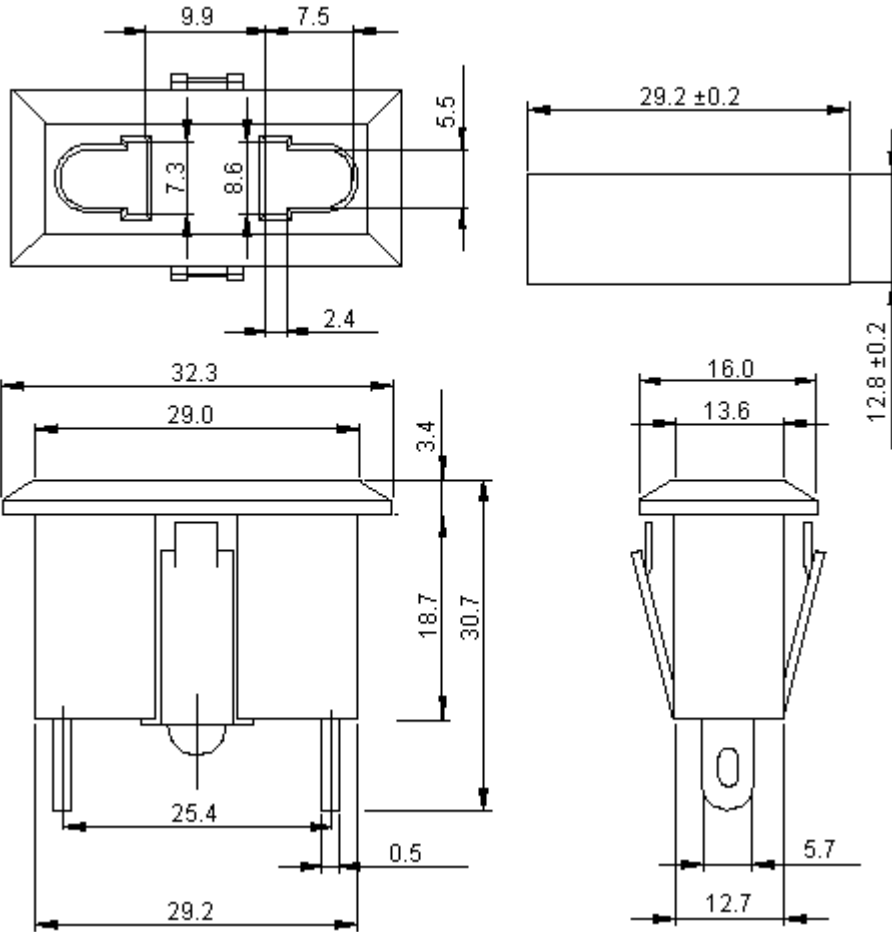


PART NO.

JR-141A

REVISIONS

ECN #	REV	DESCRIPTION	DRAWN	DATE	CHECKD	DATE	APPRVD	DATE
-	A	RELEASED	Asha	9/12/10	Veena	9/12/10	Farnell	23/12/10



Dimensions : Millimetres

This data sheet and its contents (the "Information") belong to the Premier Farnell Group (the "Group") or are licensed to it. No licence is granted for the use of it other than for information purposes in connection with the products to which it relates. No licence of any intellectual property rights is granted. The Information is subject to change without notice and replaces all data sheets previously supplied. The Information supplied is believed to be accurate but the Group assumes no responsibility for its accuracy or completeness, any error in or omission from it or for any use made of it. Users of this data sheet should check for themselves the Information and the suitability of the products for their purpose and not make any assumptions based on information included or omitted. Liability for loss or damage resulting from any reliance on the Information or use of it (including liability resulting from negligence or where the Group was aware of the possibility of such loss or damage arising) is excluded. This will not operate to limit or restrict the Group's liability for death or personal injury resulting from its negligence. SPC MULTICOMP is the registered trademark of the Group. © Premier Farnell plc 2010.

TOLERANCES:

UNLESS OTHERWISE SPECIFIED, DIMENSIONS ARE FOR REFERENCE PURPOSES ONLY.

DRAWN BY:

Asha

CHECKED BY:

Veena

APPROVED BY:

Farnell

DATE:

09/12/10

DATE:

09/12/10

DATE:

23/12/10

DRAWING TITLE:

2 Pin Socket - Snap-Fit, Panel

SIZE
A

DWG NO.

M10002518

ELECTRONIC FILE
JR-141A_DWG

REV
A

SCALE: NTS

U.O.M.: mm

SHEET: 1 OF 2



PART NO.

JR-141A

REVISIONS

ECN #	REV	DESCRIPTION	DRAWN	DATE	CHECKD	DATE	APPRVD	DATE
-	A	RELEASED	Asha	9/12/10	Veena	9/12/10	Farnell	23/12/10

Specifications:

Rating : 10A 125V ac/6A 250V ac.
 Minimum insulation resistance : 500V dc 100MΩ.
 Dielectric strength : 2000V ac/1minute.
 Housing material : Phonetic resin.
 Base material : Plated steel.

Part Number Table

Description	Part Number
Socket, 2 Pin, Snap-Fit, Panel	JR-141A

<http://www.farnell.com>
<http://www.newark.com>
<http://www.cpc.co.uk>

This data sheet and its contents (the "Information") belong to the Premier Farnell Group (the "Group") or are licensed to it. No licence is granted for the use of it other than for information purposes in connection with the products to which it relates. No licence of any intellectual property rights is granted. The Information is subject to change without notice and replaces all data sheets previously supplied. The Information supplied is believed to be accurate but the Group assumes no responsibility for its accuracy or completeness, any error in or omission from it or for any use made of it. Users of this data sheet should check for themselves the Information and the suitability of the products for their purpose and not make any assumptions based on information included or omitted. Liability for loss or damage resulting from any reliance on the Information or use of it (including liability resulting from negligence or where the Group was aware of the possibility of such loss or damage arising) is excluded. This will not operate to limit or restrict the Group's liability for death or personal injury resulting from its negligence. SPC MULTICOMP is the registered trademark of the Group. © Premier Farnell plc 2010.

**TOLERANCES:
 UNLESS OTHERWISE SPECIFIED, DIMENSIONS ARE FOR REFERENCE PURPOSES ONLY.**

DRAWN BY:	DATE:
Asha	09/12/10
CHECKED BY:	DATE:
Veena	09/12/10
APPROVED BY:	DATE:
Farnell	23/12/10

DRAWING TITLE:			
2 Pin Socket - Snap-Fit, Panel			
SIZE	DWG NO.	ELECTRONIC FILE	REV
A	M10002518	JR-141A_DWG	A
SCALE: NTS		U.O.M.: mm	SHEET: 2 OF 2