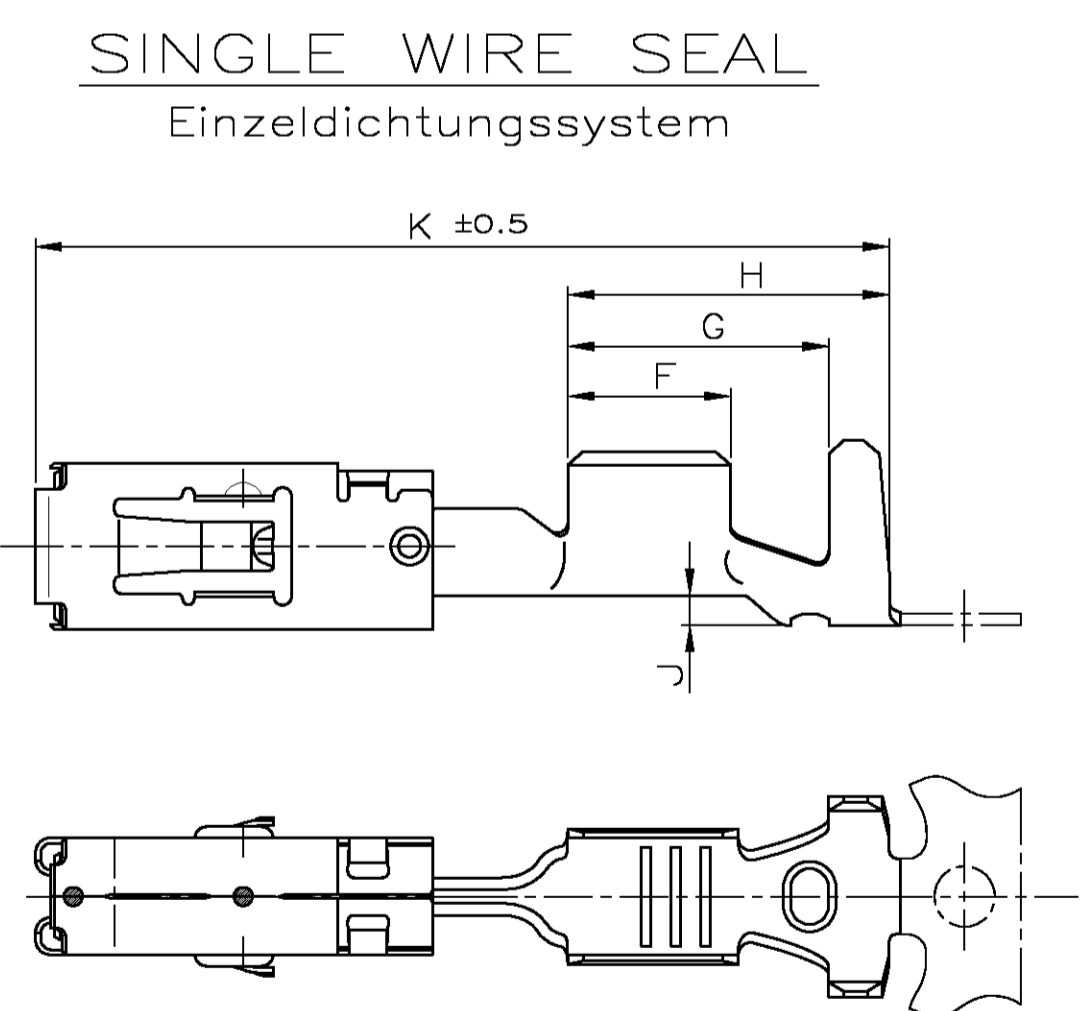
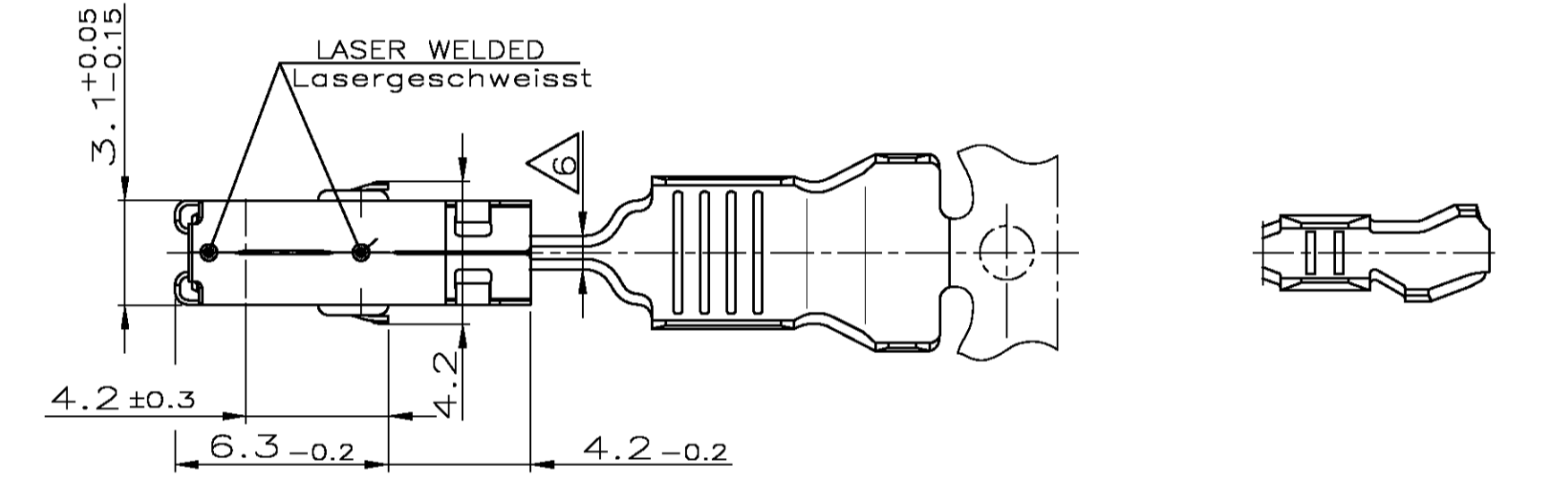
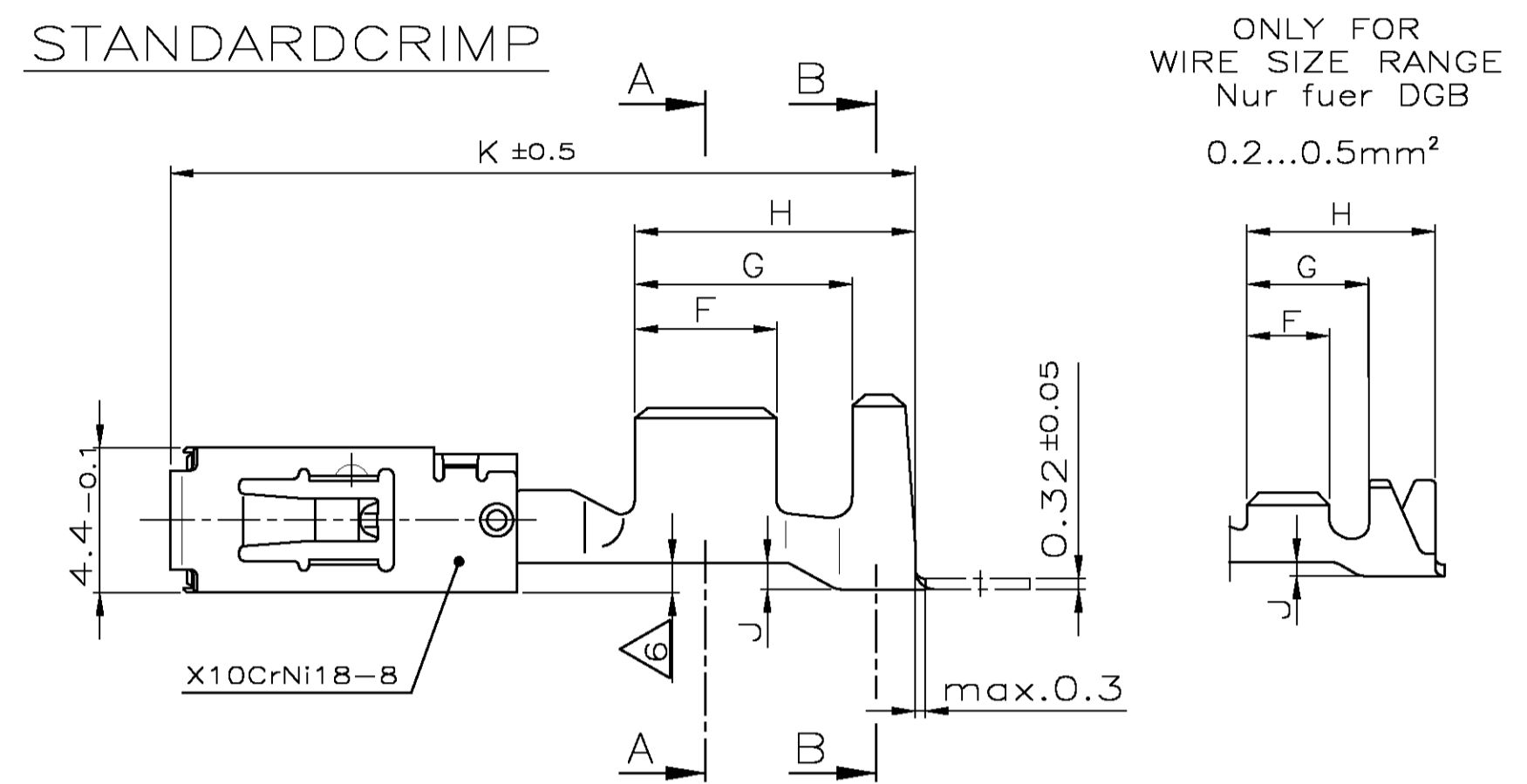
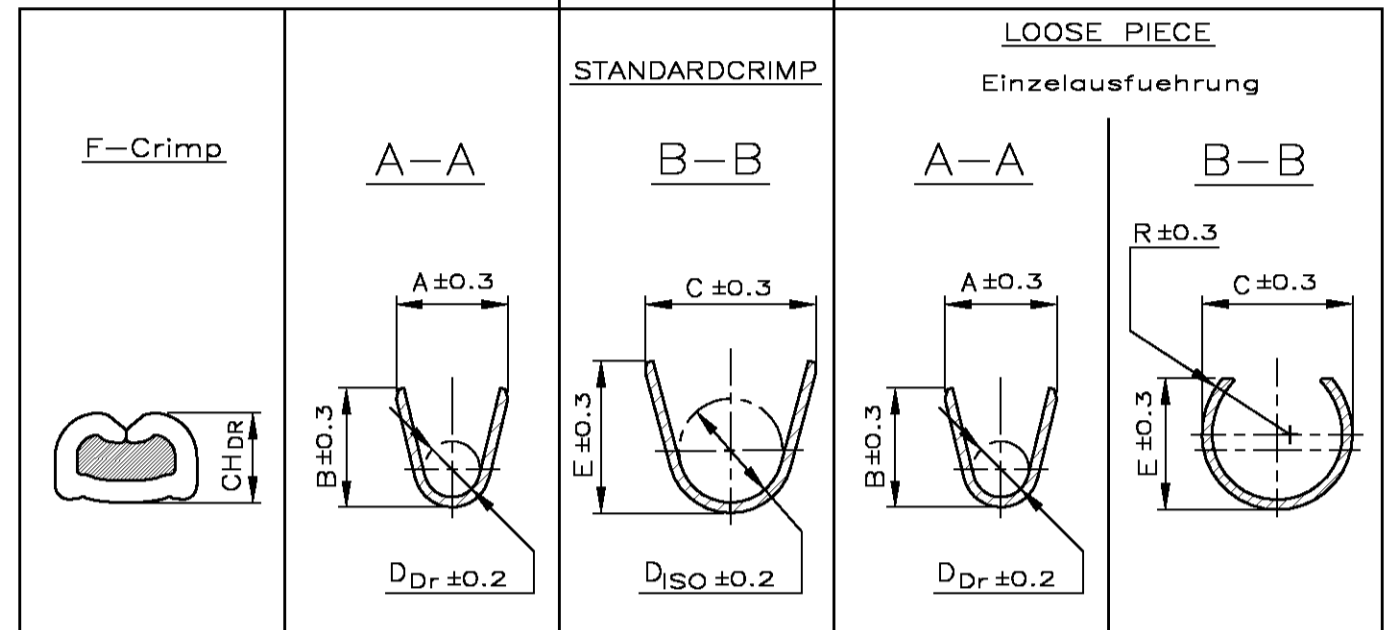
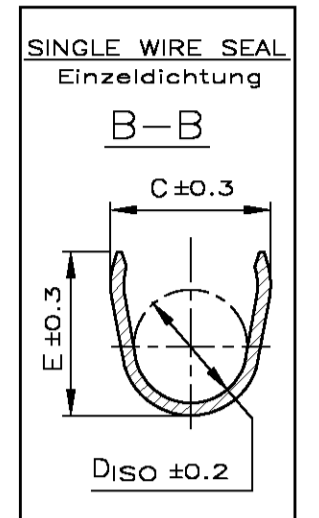


LOC	DIST	REV	DATE	BY	APPV
AI	-	J4	21MAR11	RK	HMR
		J5	25OCT11	Kirs.	Moir.

- REMARKS**  
 Bemerkungen
- MATING PART SEE INTERFACE DRAWING  
 TE-Nr.: 114-18230-002  
 Gegenstecker nach Ausführvorschrift  
 TE-Nr.: 114-18230-002
  - ONLY FOR FLR-WIRE SEE DIN 72551, PART 6  
 Nur fuer FLR-Leitung nach DIN 72551, Teil 6
  - APPLICATION OF CONTACTS VERSION A+B SEE SPEC.:114-18148  
 Verarbeitung der Kontakte Ausfuehrung A+B siehe Spec.:114-18148
  - SURFACE:  
 - PRE TIN PLATED 1 TO 3 µm  
 - GOLD PLATED MIN. 2µm (only contact area)  
 - SILVER PLATED 3 TO 5µm (only contact area)  
 Oberfläche:  
 - verzinkt 1 bis 3µm  
 - goldvergoldet min. 2µm (nur Kontaktzone)  
 - silbervergoldet 3 bis 5µm (nur Kontaktzone)
  - DOUBLE CRIMPS ARE ONLY POSSIBLE WITH APPLICATORS AUTHORIZED BY TE (NO HAND TOOL!)  
 SUITABLE TOOLS ON REQUEST  
 Doppelschleife sind nur mit von TE zugelassenen Anschlagwerkzeugen moeglich (keine Handzangen)  
 passende Werkzeuge auf Anfrage
  - GAUGE INSPECTION  
 Lehrnuefung
  - DETAILS OF DESIGN ARE LEFT TO MANUFACTURER  
 Einzelheiten der Ausfuehrung bleiben dem Hersteller ueberlassen
  - ONLY THE GERMAN-LANGUAGE VERSION SHALL BE BINDING  
 Massgebend ist der deutsche Text
  - IN THE TRANSITION SUPPLY OF REV. D PERMISSIBLE  
 Im Uebergang Lieferung von Rev. D zulassig
  - PUNCHING OIL: RAZIOL CLF 11 SG  
 Stanzoel:



VERSION	Aus-fuehrung	ORDER-NO. STRIP FORM	Rev.	ORDER-NO. LOOSE PIECE	Rev.	MATERIAL	SURFACE	APPLICATION TOOL	HAND TOOL	WIRE SIZE RANGE	CH OR	CRIMP DIMENSIONS / Crimpabmessungen											SINGLE WIRE SEAL	DEAD END PLUG								
												A	B	DDr	C	E	DDr	A	B	C	E	R			F	G	H	J	K			
1-1719506-3	A	-	-	-	-	CuNiSi	SILVER PLATED	-	-	12 AWG	-	4.0	4.2	2.0	5.0	5.0	3.5	-	-	-	-	-	-	3.5	5.9	7.5	0.8	21.0	828905-1	828922-1		
1-1719506-1	A	-	-	-	-	CuNiSi	PRE TIN PLATED	-	-	-	-	-	-	-	-	-	-	-	-	-	-	-	-	-	-	-	-	-	-			
1-968859-4	E	1-968877-4	E	1-968877-4	E	CuNiSi	SILVER PLATED	-	-	-	-	4.0	2.27	4.5	4.7	2.3	6.0	6.0	4.3	3.4	4.8	2.3	5.5	5.4	3.3	4.3	6.9	8.5	1.25	22.6	828985-1	828986-1
1-968859-3	E	1-968877-3	E	1-968877-3	E	CuNiSi	SILVER PLATED	-	-	-	-	-	-	-	-	-	-	-	-	-	-	-	-	-	-	-	-	-	-			
1-968859-2	-	1-968877-2	-	1-968877-2	-	CuNiSi	GOLD PLATED	-	-	-	-	-	-	-	-	-	-	-	-	-	-	-	-	-	-	-	-	-	-			
1-968859-1	E	1-968877-1	E	1-968877-1	E	CuNiSi	PRE TIN PLATED	-	-	-	-	-	-	-	-	-	-	-	-	-	-	-	-	-	-	-	-	-	-			
1-968857-4	E	1-968876-4	E	1-968876-4	E	CuNiSi	SILVER PLATED	-	-	-	-	-	-	-	-	-	-	-	-	-	-	-	-	-	-	-	-	-	-			
1-968857-3	E	1-968876-3	E	1-968876-3	E	CuNiSi	SILVER PLATED	-	-	-	-	-	-	-	-	-	-	-	-	-	-	-	-	-	-	-	-	-	-			
1-968857-2	-	1-968876-2	-	1-968876-2	-	CuNiSi	GOLD PLATED	-	-	-	-	-	-	-	-	-	-	-	-	-	-	-	-	-	-	-	-	-	-			
1-968857-1	E	1-968876-1	E	1-968876-1	E	CuNiSi	PRE TIN PLATED	-	-	-	-	-	-	-	-	-	-	-	-	-	-	-	-	-	-	-	-	-	-			
1-968855-4	E	1-968875-4	E	1-968875-4	E	CuNiSi	SILVER PLATED	-	-	-	-	-	-	-	-	-	-	-	-	-	-	-	-	-	-	-	-	-	-			
1-968855-3	E	1-968875-3	E	1-968875-3	E	CuNiSi	SILVER PLATED	-	-	-	-	-	-	-	-	-	-	-	-	-	-	-	-	-	-	-	-	-	-	-		
1-968855-2	E	1-968875-2	E	1-968875-2	E	CuNiSi	GOLD PLATED	-	-	-	-	-	-	-	-	-	-	-	-	-	-	-	-	-	-	-	-	-	-	-		
1-968855-1	E	1-968875-1	E	1-968875-1	E	CuNiSi	PRE TIN PLATED	-	-	-	-	-	-	-	-	-	-	-	-	-	-	-	-	-	-	-	-	-	-	-		
1-968882-3	E	1-968896-3	E	1-968896-3	E	CuNiSi	SILVER PLATED	-	-	-	-	-	-	-	-	-	-	-	-	-	-	-	-	-	-	-	-	-	-	-		
1-968882-2	E	1-968896-2	E	1-968896-2	E	CuNiSi	GOLD PLATED	-	-	-	-	-	-	-	-	-	-	-	-	-	-	-	-	-	-	-	-	-	-	-		
1-968882-1	E	1-968896-1	E	1-968896-1	E	CuNiSi	PRE TIN PLATED	-	-	-	-	-	-	-	-	-	-	-	-	-	-	-	-	-	-	-	-	-	-	-		
1-968853-3	E	1-968874-3	E	1-968874-3	E	CuNiSi	SILVER PLATED	-	-	-	-	4.0	2.27	4.5	4.7	2.3	5.7	5.9	3.3	3.4	4.8	2.3	4.4	5.2	2.6	4.3	6.6	8.5	0.8	22.6	-	-
1-968853-2	-	1-968874-2	-	1-968874-2	-	CuNiSi	GOLD PLATED	-	-	-	-	-	-	-	-	-	-	-	-	-	-	-	-	-	-	-	-	-	-	-		
1-968853-1	E	1-968874-1	E	1-968874-1	E	CuNiSi	PRE TIN PLATED	-	-	-	-	-	-	-	-	-	-	-	-	-	-	-	-	-	-	-	-	-	-	-		
1-968851-3	E	1-968873-3	E	1-968873-3	E	CuNiSi	SILVER PLATED	-	-	-	-	2.5	1.88	3.6	3.8	1.7	4.6	4.8	2.6	2.8	3.9	1.7	3.8	4.4	2.3	3.5	5.1	6.7	0.3	20.2	-	-
1-968851-2	E	1-968873-2	E	1-968873-2	E	CuNiSi	GOLD PLATED	-	-	-	-	1.5	1.58	0.90 ± 0.05	0.75 ± 0.05	0.75 ± 0.05	0.75 ± 0.05	0.75 ± 0.05	0.75 ± 0.05	0.75 ± 0.05	0.75 ± 0.05	0.75 ± 0.05	0.75 ± 0.05	0.75 ± 0.05	0.75 ± 0.05	0.75 ± 0.05	0.75 ± 0.05	0.75 ± 0.05	0.75 ± 0.05	0.75 ± 0.05	0.75 ± 0.05	
1-968851-1	E	1-968873-1	E	1-968873-1	E	CuNiSi	PRE TIN PLATED	-	-	-	-	1.5	1.58	0.75 ± 0.05	0.75 ± 0.05	0.75 ± 0.05	0.75 ± 0.05	0.75 ± 0.05	0.75 ± 0.05	0.75 ± 0.05	0.75 ± 0.05	0.75 ± 0.05	0.75 ± 0.05	0.75 ± 0.05	0.75 ± 0.05	0.75 ± 0.05	0.75 ± 0.05	0.75 ± 0.05	0.75 ± 0.05	0.75 ± 0.05	0.75 ± 0.05	
1-968849-3	E	1-968872-3	E	1-968872-3	E	CuNiSi	SILVER PLATED	-	-	-	-	1.0	1.36	2.5	2.7	1.2	4.8	4.8	3.3	2.2	2.8	1.2	4.4	4.2	2.6	3	5.4	7	0.75	21	-	-
1-968849-2	E	1-968872-2	E	1-968872-2	E	CuNiSi	GOLD PLATED	-	-	-	-	0.75	1.27	2.5	2.7	1.2	3.3	3.5	1.8	2.2	2.8	1.2	2.8	3.2	1.6	3	4.6	6.2	0.2	20.2	-	-
1-968849-1	E	1-968872-1	E	1-968872-1	E	CuNiSi	PRE TIN PLATED	-	-	-	-	0.5	1.18	0.50 ± 0.50	0.50 ± 0.50	0.50 ± 0.50	0.50 ± 0.50	0.50 ± 0.50	0.50 ± 0.50	0.50 ± 0.50	0.50 ± 0.50	0.50 ± 0.50	0.50 ± 0.50	0.50 ± 0.50	0.50 ± 0.50	0.50 ± 0.50	0.50 ± 0.50	0.50 ± 0.50	0.50 ± 0.50	0.50 ± 0.50	0.50 ± 0.50	
1-968880-3	E	1-968895-3	E	1-968895-3	E	CuNiSi	SILVER PLATED	-	-	-	-	0.5	1.14	2.1	2.1	0.8	2.9	2.9	1.4	1.7	2.15	0.8	2.5	2.5	1.4	2.5	3.7	5.7	0.2	20.2	-	-
1-968880-2	-	1-968895-2	-	1-968895-2	-	CuNiSi	GOLD PLATED	-	-	-	-	0.35	1.08	2.1	2.1	0.8	2.9	2.9	1.4	1.7	2.15	0.8	2.5	2.5	1.4	2.5	3.7	5.7	0.2	20.2	-	-
1-968880-1	E	1-968895-1	E	1-968895-1	E	CuNiSi	PRE TIN PLATED	-	-	-	-	0.2	1.00	2.1	2.1	0.8	2.9	2.9	1.4	1.7	2.15	0.8	2.5	2.5	1.4	2.5	3.7	5.7	0.2	20.2	-	-

THIS DRAWING IS A CONTROLLED DOCUMENT. DIESE ZEICHNUNG IST EIN KONTROLLIERTES DOKUMENT.		DIN S. Blidar 22.09.97	TE Connectivity PRODUCT GROUP DRAWING FOR Tabellenzeichnung fuer AMP MCP2.8
DIMENSIONS: DIMENSIONEN mm		APV G. Hotea 22.09.97	
MATERIAL		APV J. Woller 22.09.97	APPLICATION SPEC VERARBEITUNGS-SPEZ 114-18148 WEIGHT GEWICHT CUSTOMER DRAWING / KUNDENZEICHNUNG
SCALE MASSSTAB 5:1		DRAWING NO. (REPLACES 116-18018-001) 108-18513 SHEET BLATT 1 von 1	RESTRICTED TO NUR FÜR