

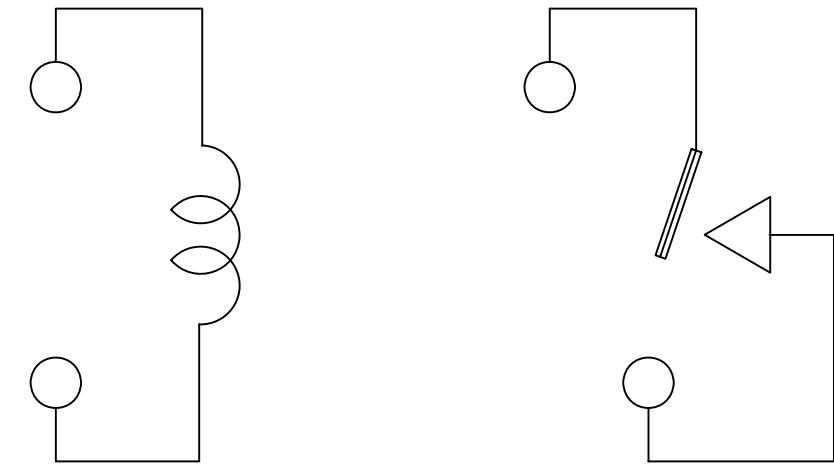
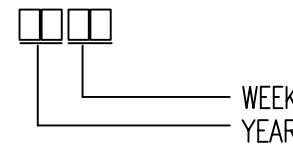
THIS DRAWING IS UNPUBLISHED. | RELEASED FOR PUBLICATION  
 BY TYCO ELECTRONICS CORPORATION. ALL RIGHTS RESERVED.

LOC HB DIST

REVISIONS

P	LTR	DESCRIPTION	ECN	DATE	DWN	APVD
	0	RELEASE	FK00-0237-04	30-DEC-04	XL.H	MJ.H
	B	CHANGE DATE CODE&TE LOGO	ECO-08-007851	09-APR-08	CY.Z	BH.Y

(B) (A) NOTES:  
 1.LOT NO. SYSTEM AS FOLLOWING:



CONNECTION FIGURE

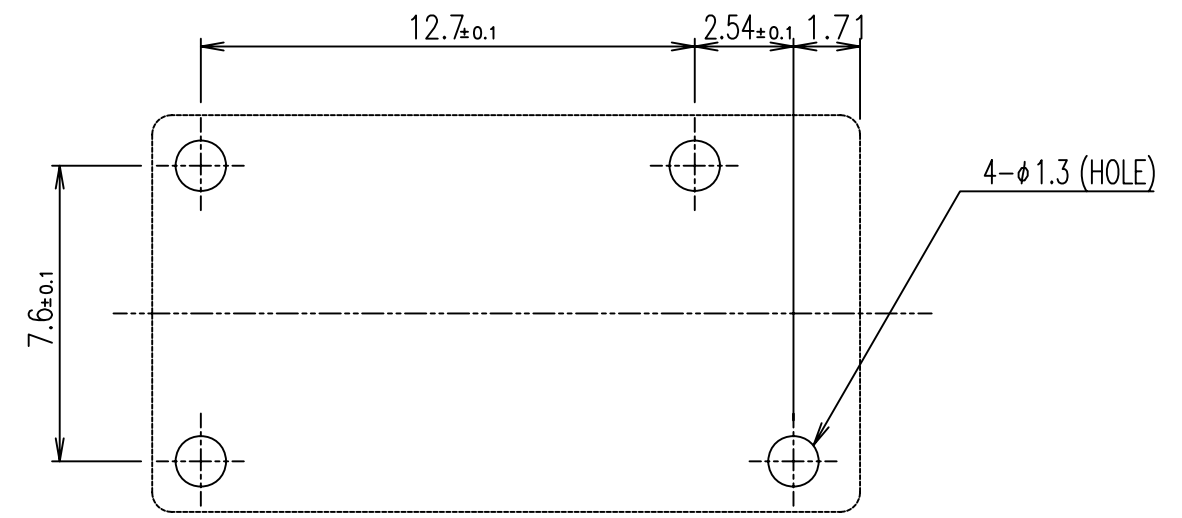
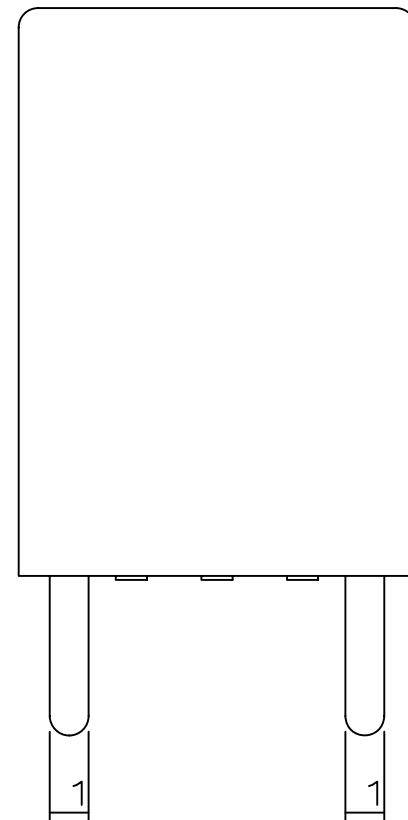
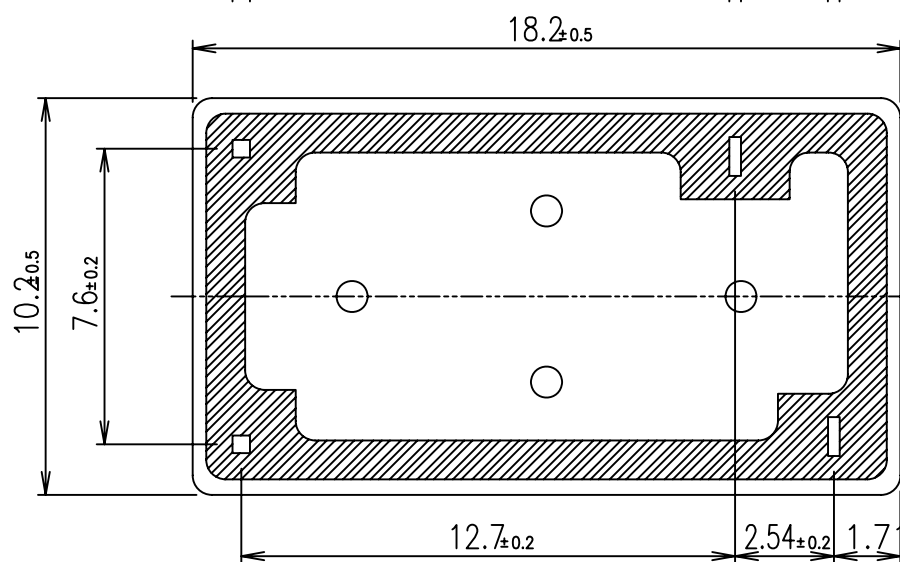
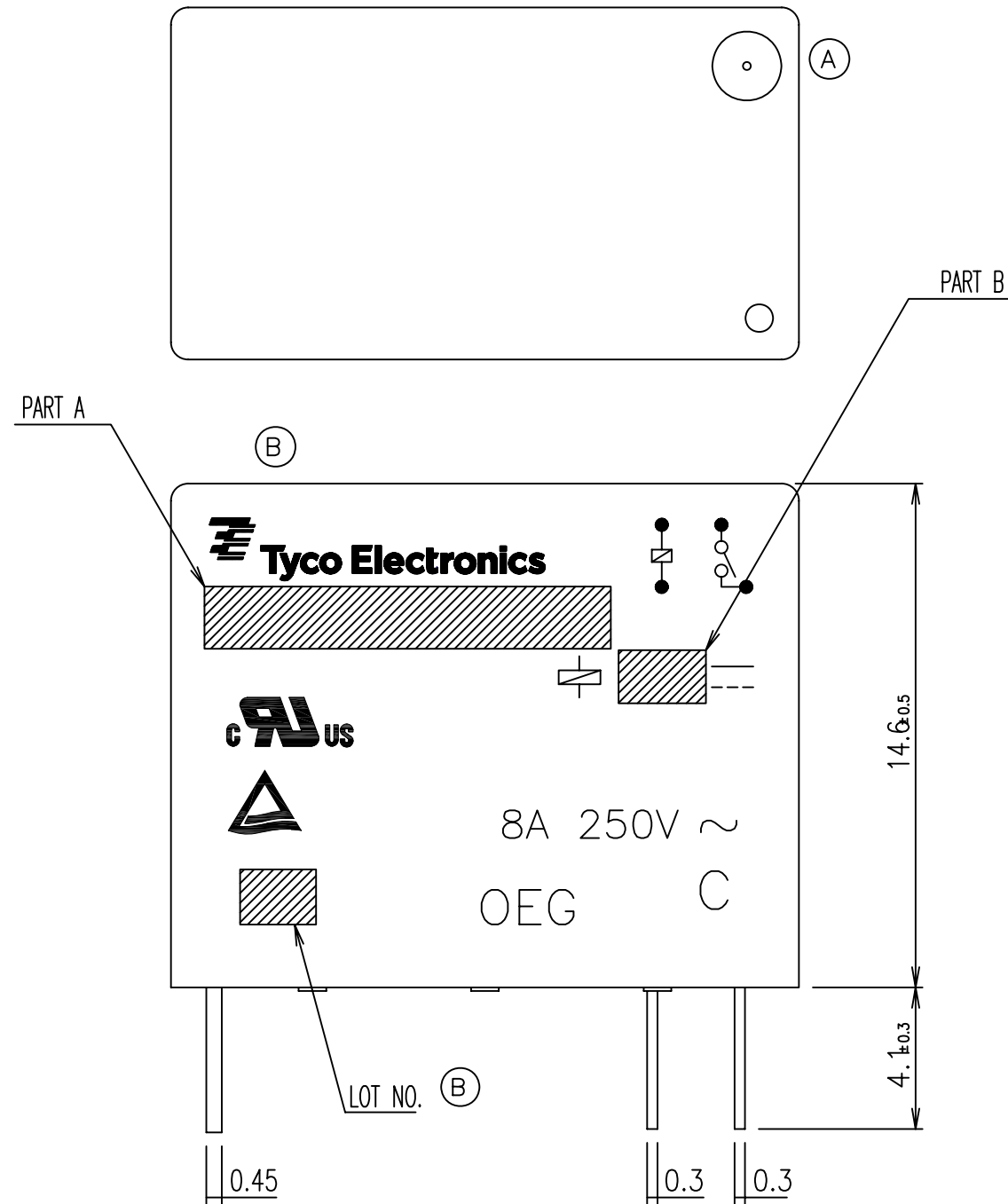


FIGURE FOR PRINTED CIRCUIT BOARD PROCESSING  
 (BOTTOM VIEW)

Diagram dimension	Tolerance
0.99mm max.	±0.1mm
1 - 2.99mm	±0.2mm
3mm min.	±0.3mm

THIS DRAWING IS A CONTROLLED DOCUMENT FOR TYCO ELECTRONICS CORPORATION IT IS SUBJECT TO CHANGE AND THE CONTROLLING ENGINEERING ORGANIZATION SHOULD BE CONTACTED FOR THE LATEST REVISION.	
DIMENSIONS: mm	TOLERANCES UNLESS OTHERWISE SPECIFIED: 0 PLC ± 1 PLC ± 2 PLC ± 3 PLC ± 4 PLC ± ANGLES ±
MATERIAL	FINISH ±

DWN	Hu,XieLi	Tyco Electronics Corporation Shenzhen,China
CHK	Mak,Simon	
APVD	Mingjung,Ho	
PRODUCT SPEC	SEE PRODUCT SPEC	
APPLICATION SPEC		NAME OJE CUSTOMER DRAWING (OJE-SS-LMH2)
WEIGHT		SIZE A3
CUSTOMER DRAWING		CAGE CODE 00779
		DRAWING NO 1721261
		RESTRICTED TO
	SCALE 5:1	SHEET 1 OF 2
		REV B

4

3

2

1

THIS DRAWING IS UNPUBLISHED.

RELEASED FOR PUBLICATION


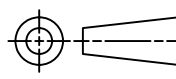
BY TYCO ELECTRONICS CORPORATION. ALL RIGHTS RESERVED.

LOC HB	DIST	REVISIONS						
		P	LTR	DESCRIPTION	ECN	DATE	DWN	APVD

1721261-6	OJE-SS-124LMH2	24V	OJE-SS-124LMH2	f
1721261-5	OJE-SS-112LMH2	12V	OJE-SS-112LMH2	e
1721261-4	OJE-SS-109LMH2	9V	OJE-SS-109LMH2	d
1721261-3	OJE-SS-106LMH2	6V	OJE-SS-106LMH2	c
1721261-2	OJE-SS-105LMH2	5V	OJE-SS-105LMH2	b
1721261-1	OJE-SS-103LMH2	3V	OJE-SS-103LMH2	a
TE PART NO	PART A	PART B	DESCRIPTION	TYPE

RELAY TYPE

		EPOXY RESIN	SEAL (BASE & BOBBIN)	15
		3UEW	MAGNETIC WIRE	14
UL94V-0		P.B.T	CASE	13
UL94V-0		P.B.T	BASE	12
UL94V-0		P.B.T	BOBBIN	11
	SOLDER DIP	C.P WIRE	COIL TERMINAL	10
UL94V-0		P.P.S	CARD	9
		AgSnOInO	MOVABLE CONTACT	8
		AgSnOInO	NO.CONTACT	7
		STEEL	HINGE SPRING	6
	SOLDER DIP	Cu ALLOY	NO.TERMINAL	5
	SOLDER DIP	Cu ALLOY	MOVABLE SPRING	4
	NIP	STEEL	CORE	3
	NIP	STEEL	ARMATURE	2
	NIP	STEEL	YOKE	1
INCOMBUSTIBILITY	TREATMENT	MATERIAL	DESCRIPTION	ITEM

THIS DRAWING IS A CONTROLLED DOCUMENT FOR TYCO ELECTRONICS CORPORATION IT IS SUBJECT TO CHANGE AND THE CONTROLLING ENGINEERING ORGANIZATION SHOULD BE CONTACTED FOR THE LATEST REVISION.		DWN	 Tyco Electronics Corporation Shenzhen, China		
DIMENSIONS: mm		CHK			
		APVD	NAME		
TOLERANCES UNLESS OTHERWISE SPECIFIED:		PRODUCT SPEC	OJE CUSTOMER DRAWING (OJE-SS-LMH2)		
0 PLC ±		APPLICATION SPEC	SIZE	CAGE CODE	DRAWING NO
1 PLC ±		WEIGHT	A3	00779	1721261
2 PLC ±		CUSTOMER DRAWING	RESTRICTED TO		
3 PLC ±					
4 PLC ±					
ANGLES ±					
MATERIAL	FINISH		SCALE	SHEET	REV
				2 OF 2	B