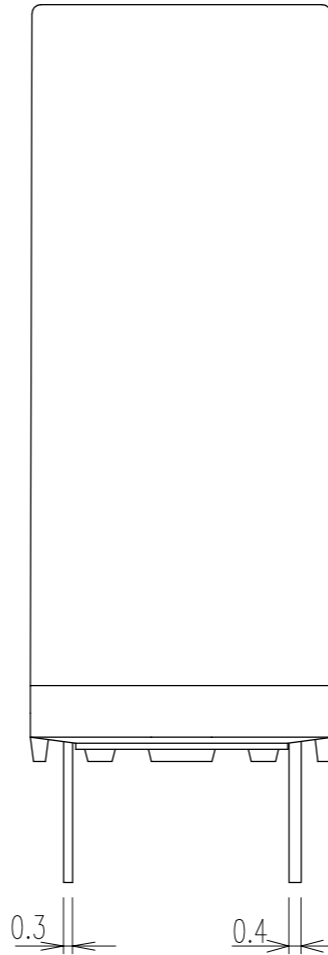
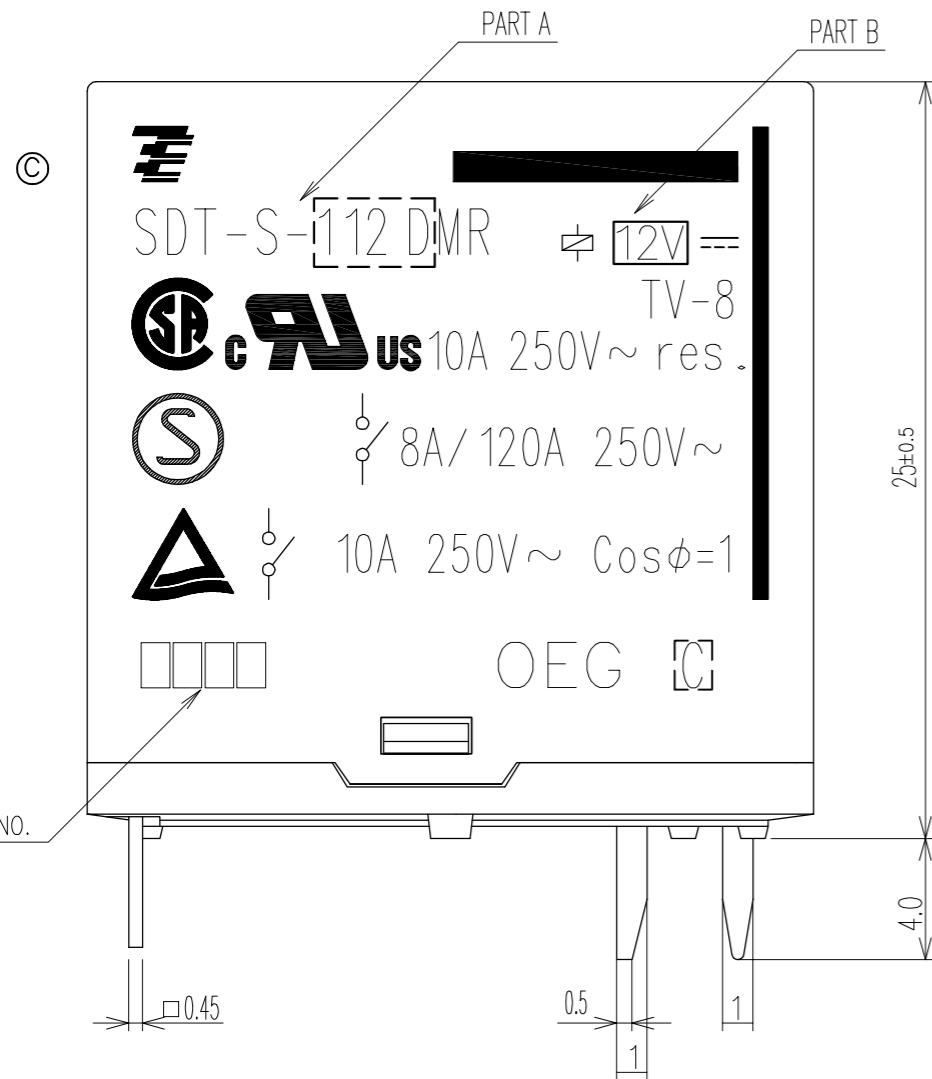


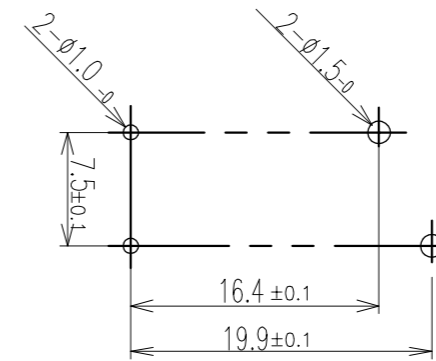
THIS DRAWING IS UNPUBLISHED. RELEASED FOR PUBLICATION  
 © COPYRIGHT BY TYCO ELECTRONICS CORPORATION. ALL RIGHTS RESERVED.

LOC	HB	DIST	REVISIONS						
			P	LTR	DESCRIPTION	ECN	DATE	DWN	APVD
				B1	ADD P/N	ECO-06-011425	9-MAY-06	KY.DU	N.F
				C	CHANGE TE LOGO&DATE CODE	ECO-09-007869	14-SEP-09	HYS	YBH



NOTE  
 1. LOT NO SYSTEM AS FOLLOWING:  
 □□□□ WEEK  
 □□ YEAR

DRILLING DIAGRAM  
 BOTTOM VIEW (2/1)



CONNECTION DIAGRAM  
 BOTTOM VIEW (2/1)

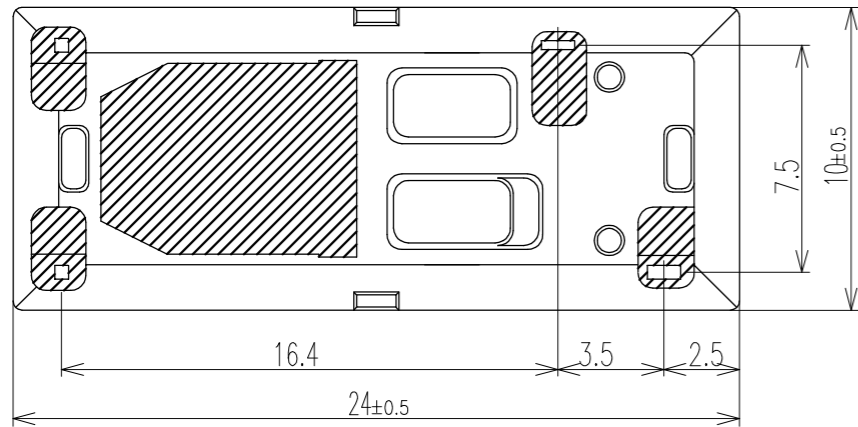
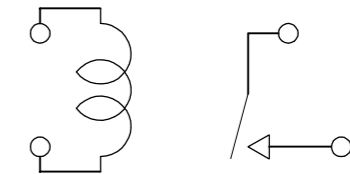


Diagram dimension	Tolerance
max. 1mm	±0.1mm
1 - 3mm	±0.2mm
min. 3mm	±0.3mm

THIS DRAWING IS A CONTROLLED DOCUMENT FOR TYCO ELECTRONICS CORPORATION  
 IT IS SUBJECT TO CHANGE AND THE CONTROLLING ENGINEERING ORGANIZATION  
 SHOULD BE CONTACTED FOR THE LATEST REVISION.

DIMENSIONS:	TOLERANCES UNLESS OTHERWISE SPECIFIED:
mm	
	±
	±
	±
	±
	±
ANGLES	±

MATERIAL FINISH

DWN	H.Sasaki	Tyco Electronics Corporation Shenzhen, China			
CHK	Y.Oikawa				
APVD	A.Nagai	NAME			
PRODUCT SPEC		SDT-DMR SPEC,601			
APPLICATION SPEC		SIZE	CAGE CODE	DRAWING NO	RESTRICTED TO
WEIGHT		A3	00779	1461056-2	
CUSTOMER DRAWING		SCALE	SHEET	OF	REV
		4:1	1	2	c

THIS DRAWING IS UNPUBLISHED.

RELEASED FOR PUBLICATION

© COPYRIGHT

BY TYCO ELECTRONICS CORPORATION. ALL RIGHTS RESERVED.

LOC  
HB

DIST



REVISIONS

P	LTR	DESCRIPTION	ECN	DATE	DWN	APVD

SDT-S-118DMR,601	1461056-9	18V	SDT-S-118DMR	h
SDT-S-148DMR,601	1461056-8	48V	SDT-S-148DMR	g
SDT-S-124DMR,601	1461056-7	24V	SDT-S-124DMR	f
SDT-S-112DMR,601	1461056-6	12V	SDT-S-112DMR	e
SDT-S-109DMR,601	1461056-5	9V	SDT-S-109DMR	d
SDT-S-106DMR,601	1461056-4	6V	SDT-S-106DMR	c
SDT-S-105DMR,601	1461056-3	5V	SDT-S-105DMR	b
SDT-S-103DMR,601	1461056-2	3V	SDT-S-103DMR	a
TE TYPE NAME	PART NO	PART B	PART A	No

RELAY TYPE

		EPOXY RESIN	SEAL (BASE & TERMINAL)	15
		EPOXY RESIN	SEAL (BASE & YOKE)	14
		3UEW	MAGNETIC WIRE	13
94V-0		P.B.T	CASE	12
94V-0		P.B.T	BOBBIN	11
	SOLDER DIP	C.P WIRE	COIL TERMINAL	10
94V-0		NYRON	CARD	9
		Ag ALLOY	MOVABLE CONTACT	8
		Ag ALLOY	NO.CONTACT	7
		STEEL	HINGE SPRING	6
	SOLDER DIP	Cu ALLOY	NO.TERMINAL	5
	SOLDER DIP	Cu ALLOY	MOVABLE SPRING	4
	NIP	STEEL	CORE	3
	NIP	STEEL	ARMATURE	2
	NIP	STEEL	YOKE	1
INCOMBUSTIBILITY	TREATMENT	MATERIAL	DESCRIPTION	ITEM

THIS DRAWING IS A CONTROLLED DOCUMENT FOR TYCO ELECTRONICS CORPORATION IT IS SUBJECT TO CHANGE AND THE CONTROLLING ENGINEERING ORGANIZATION SHOULD BE CONTACTED FOR THE LATEST REVISION.		DWN	 <b>Tyco Electronics</b> Tyco Electronics Corporation Shenzhen,China			
DIMENSIONS: mm		CHK				
		APVD				
TOLERANCES UNLESS OTHERWISE SPECIFIED: 0 PLC ± 1 PLC ± 2 PLC ± 3 PLC ± 4 PLC ± ANGLES ±		PRODUCT SPEC				
MATERIAL	FINISH	APPLICATION SPEC	NAME SDT-DMR SPEC,601			
		WEIGHT	SIZE	CAGE CODE	DRAWING NO	RESTRICTED TO
		CUSTOMER DRAWING	A3	00779	C- 1461056-2	
			SCALE	SHEET	OF	REV
				2	2	c