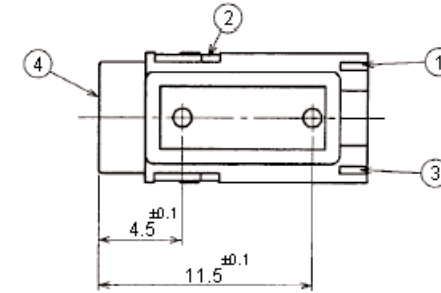
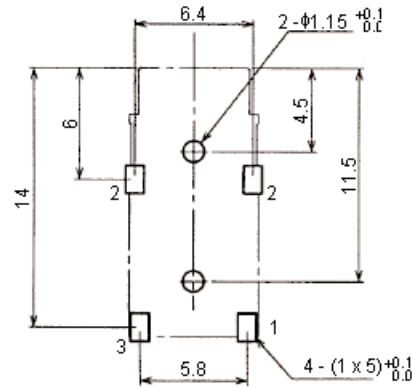
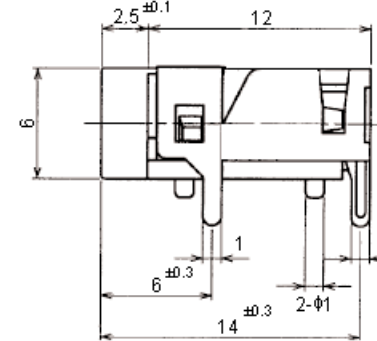
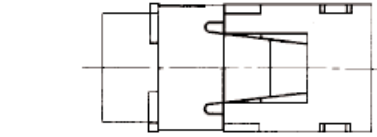
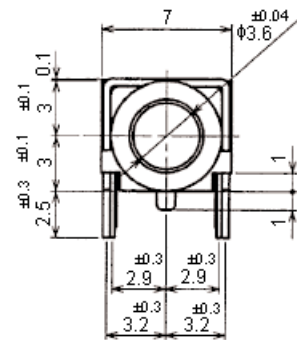
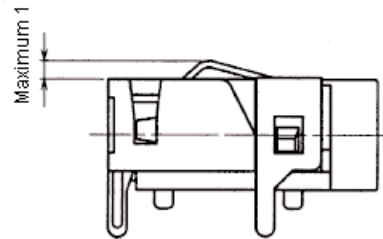


REVISIONS

ECN #	REV	DESCRIPTION	DRAWN	DATE	CHECKD	DATE	APPRVD	DATE
-	A	RELEASED	ASH	8/12/11	JAG	8/12/11		22/12/11



PCB Board Hole Layout Bottom View

Dimensions : Millimetres

Important Notice: This data sheet and its contents (the "Information") belong to the Premier Farnell Group (the "Group") or are licensed to it. No licence is granted for the use of it other than for information purposes in connection with the products to which it relates. No licence of any intellectual property rights is granted. The Information is subject to change without notice and replaces all data sheets previously supplied. The Information supplied is believed to be accurate but the Group assumes no responsibility for its accuracy or completeness, any error in or omission from it or for any use made of it. Users of this data sheet should check for themselves the Information and the suitability of the products for their purpose and not make any assumptions based on information included or omitted. Liability for loss or damage resulting from any reliance on the Information or use of it (including liability resulting from negligence or where the Group was aware of the possibility of such loss or damage arising) is excluded. This will not operate to limit or restrict the Group's liability for death or personal injury resulting from its negligence. Pro-SIGNAL is the registered trademark of the Group. © Premier Farnell plc 2004.

TOLERANCES:

UNLESS OTHERWISE SPECIFIED, DIMENSIONS ARE FOR REFERENCE PURPOSES ONLY.

DRAWN BY:	DATE:
ASH	8/12/11
CHECKED BY:	DATE:
JAG	8/12/11
APPROVED BY:	DATE:
	22/12/11

DRAWING TITLE:

3 Poles Socket - 3.5 mm Jack, PCB

SIZE	DWG NO.	ELECTRONIC FILE	REV
A		89987_DWG	A
SCALE: NTS	U.O.M.: mm	SHEET: 1 OF 2	



PART NO.

MX-387GL

REVISIONS

ECN #	REV	DESCRIPTION	DRAWN	DATE	CHECKD	DATE	APPRVD	DATE
-	A	RELEASED	ASH	8/12/11	JAG	8/12/11		22/12/11

Specifications

Withstand voltage : 500 V ac for 1 minute
 Minimum insulation resistance : 100 MΩ
 Maximum contact resistance : 50 mΩ

Specification Table

Item	Part Name	Material	Material Thickness	Finish
1	Spring A	FAB	t = 0.2	Sn
2	Spring B	FAB	t = 0.35	
3	Spring C	FAB	t = 0.2	
4	Body	PBT (G30%)	-	-

Dimensions : Millimetres

Part Number Table

Description	Part Number
Socket, 3.5 mm Jack, PCB, 3 Poles	MX387GL

www.element14.com
www.farnell.com
www.newark.com
www.cpc.co.uk

Important Notice: This data sheet and its contents (the "Information") belong to the Premier Farnell Group (the "Group") or are licensed to it. No licence is granted for the use of it other than for information purposes in connection with the products to which it relates. No licence of any intellectual property rights is granted. The information is subject to change without notice and replaces all data sheets previously supplied. The information supplied is believed to be accurate but the Group assumes no responsibility for its accuracy or completeness, any error in or omission from it or for any use made of it. Users of this data sheet should check for themselves the information and the suitability of the products for their purpose and not make any assumptions based on information included or omitted. Liability for loss or damage resulting from any reliance on the information or use of it (including liability resulting from negligence or where the Group was aware of the possibility of such loss or damage arising) is excluded. This will not operate to limit or restrict the Group's liability for death or personal injury resulting from its negligence. Pro-SIGNAL is the registered trademark of the Group. © Premier Farnell plc 2004.

TOLERANCES:

UNLESS OTHERWISE SPECIFIED, DIMENSIONS ARE FOR REFERENCE PURPOSES ONLY.

DRAWN BY:

ASH

DATE:

8/12/11

DRAWING TITLE:

3 Poles Socket - 3.5 mm Jack, PCB

CHECKED BY:

JAG

DATE:

8/12/11

SIZE	DWG NO.
A	

ELECTRONIC FILE	REV
89987_DWG	A

APPROVED BY:

DATE:

22/12/11

SCALE: NTS

U.O.M.: mm

SHEET: 2 OF 2