



ALL RIGHTS RESERVED. NO PORTION OF THIS PUBLICATION, WHETHER IN WHOLE OR IN PART CAN BE REPRODUCED WITHOUT THE EXPRESS WRITTEN CONSENT OF SPC TECHNOLOGY.

SPC-F005.DWG

REVISIONS

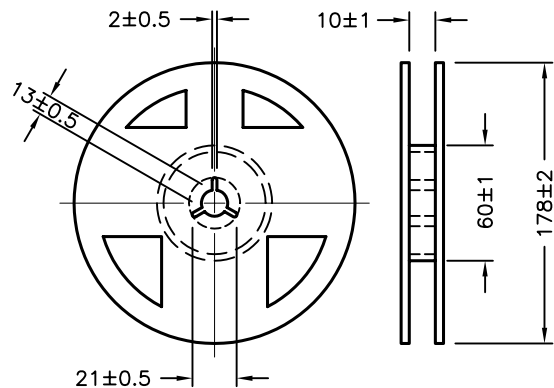
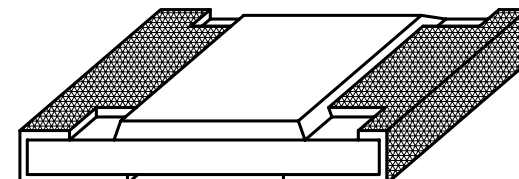
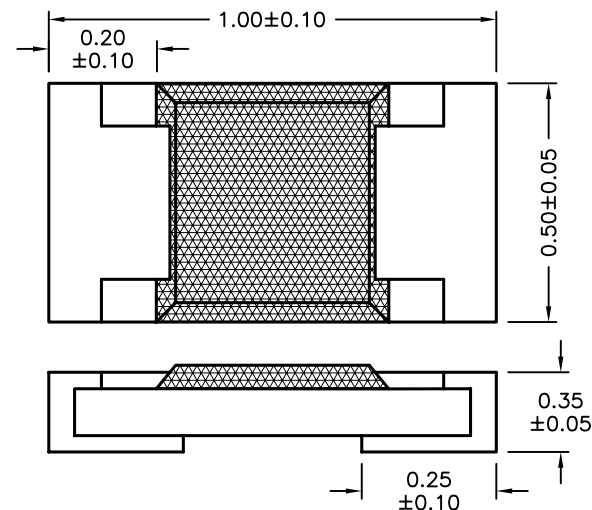
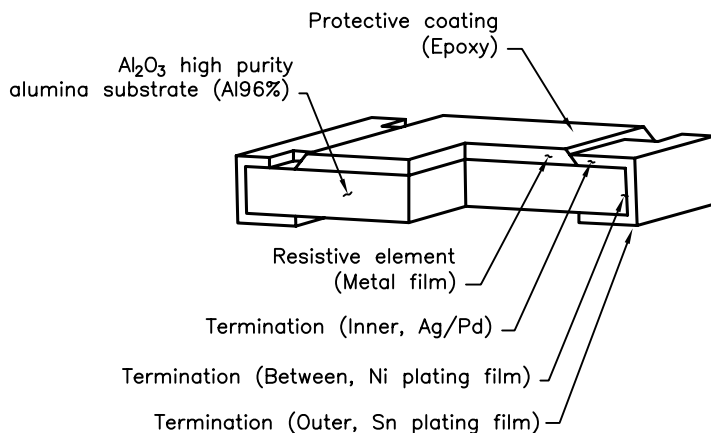
DOC. NO. SPC-F005 * Effective: 7/8/02 * DCP No: 1398

DCP #	REV	DESCRIPTION	DRAWN	DATE	CHECKD	DATE	APPRVD	DATE
1861	A	RELEASED	EYO	11/06/05	HO	11/7/05	JWM	11/7/05

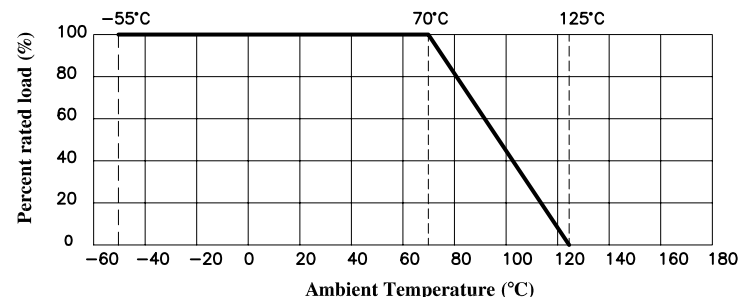
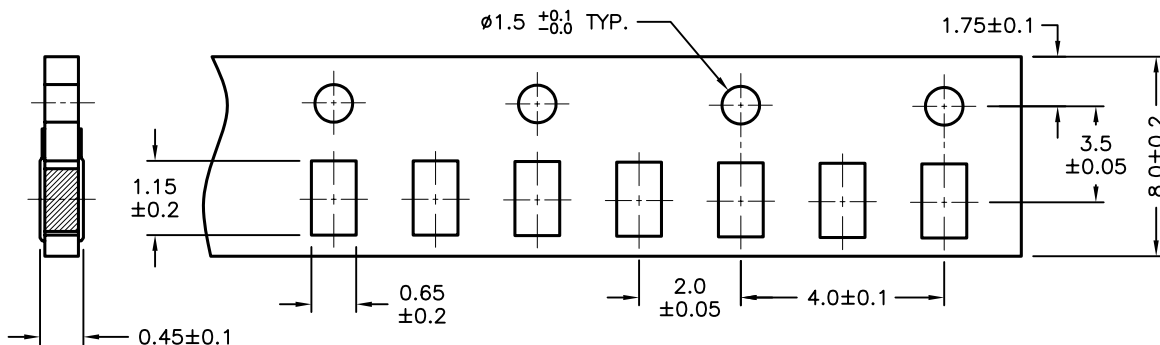


Specifications:

- Power Rating: 1/16 Watt
- Tolerance: 1%
- Max. Working Voltage: 25 V
- Max. Overload Voltage: 50 V
- Temperature Range: -55°C ~ +125°C
- Ambient Temperature: 70°C
- Resistance Range: (See parts table)



Tape & Reel Dimension



DISCLAIMER: ALL STATEMENTS AND TECHNICAL INFORMATION CONTAINED HEREIN ARE BASED UPON INFORMATION AND/OR TESTS WE BELIEVE TO BE ACCURATE AND RELIABLE. SINCE CONDITIONS OF USE ARE BEYOND OUR CONTROL, THE USER SHALL DETERMINE THE SUITABILITY OF THE PRODUCT FOR THE INTENDED USE AND ASSUME ALL RISK AND LIABILITY WHATSOEVER IN CONNECTION THEREWITH.

TOLERANCES: UNLESS OTHERWISE SPECIFIED, DIMENSIONS ARE FOR REFERENCE PURPOSES ONLY.

DRAWN BY:	DATE:
EKLAS ODISH	11/06/05
CHECKED BY:	DATE:
HISHAM ODISH	11/7/05
APPROVED BY:	DATE:
JEFF MCVICKER	11/7/05

DRAWING TITLE: RoHS Compliant Thick Film Chip Resistors, EIA Size 0402, 1/16 Watt

SIZE	DWG. NO.	ELECTRONIC FILE	REV
A	TA-677	TA-677.DWG	A

SCALE: NTS U.O.M.: Millimeters SHEET: 1 OF 5

Performance specification

Characteristics	Limits	Test Methods (JIS - C - 5201-1)															
Temperature coefficient	10Ω-1MΩ $\leq \pm 100$ PPM/°C	5.2 Natural resistance change per temp. degree centigrade $\frac{R2-R1}{R1(t2-t1)} \times 10^6$ (PPM/°C) R1: Resistance value at room temperature (t1) R2: Resistance value at room temp. plus 100°C (t2)															
Short time overload	Resistance change rate is: $\pm (1.0\% + 0.1\Omega)$ Max.	5.5 Permanent resistance change after the application of a potential of 2.5 times RCWV for 5 seconds															
Insulation resistance	1,000 MΩ or more	5.6 Apply 500V DC between protective coating and termination for 1 min, then measure															
Dielectric withstanding voltage	No evidence of flashover mechanical damage, arcing or insulation break down	5.7 Apply 500V AC between protective coating and termination for 1 minute															
Terminal bending	$\pm (1.0\% + 0.05\Omega)$ Max.	6.1.4 Twist of Test Board: Y/X = 5/90 mm for 10 seconds															
Temperature cycling	$\pm (0.5\% + 0.05\Omega)$ Max.	7.4 Resistance change after continuous 5 cycles for duty cycle specified below: <table border="1" style="margin-left: auto; margin-right: auto;"> <thead> <tr> <th>Step</th> <th>Temperature</th> <th>Time</th> </tr> </thead> <tbody> <tr> <td>1</td> <td>-55°C ± 3°C</td> <td>30 mins</td> </tr> <tr> <td>2</td> <td>Room temp.</td> <td>10 ~ 15 mins</td> </tr> <tr> <td>3</td> <td>-125°C ± 2°C</td> <td>30 mins</td> </tr> <tr> <td>4</td> <td>Room temp.</td> <td>10 ~ 15 mins</td> </tr> </tbody> </table>	Step	Temperature	Time	1	-55°C ± 3 °C	30 mins	2	Room temp.	10 ~ 15 mins	3	-125°C ± 2 °C	30 mins	4	Room temp.	10 ~ 15 mins
Step	Temperature	Time															
1	-55°C ± 3 °C	30 mins															
2	Room temp.	10 ~ 15 mins															
3	-125°C ± 2 °C	30 mins															
4	Room temp.	10 ~ 15 mins															
Load life in humidity	Resistance change rate is $\pm (1.0\% + 0.1\Omega)$ Max.	7.9 Resistance change after 1,000 hours (1.5 hours "on", 0.5 hour "off") at RCWV in a humidity chamber controlled at 40°C ± 2 °C and 90 to 95 % relative humidity															
Load Life	Resistance change rate is $\pm (1.0\% + 0.1\Omega)$ Max.	7.10 Permanent resistance change after 1,000 hours operating at RCWV, with duty cycle of (1.5 hours"on", 0.5 hour "off") at 70°C ± 2 °C ambient															
Soldering Heat	Electrical characteristics shall be satisfied. Without distinct deformation in appearance.	<u>Solder bath method</u> Pre-heat: 100 to 105°C, 30 \pm 5 sec Temperature: 265 \pm 3°C, 5 + 1/-0 sec. <u>Reflow soldering method</u> Peak: 250 + 5/-0°C 230 °C or higher 30 \pm 10 sec. <u>soldering iron method</u> Bit temperature: 350 \pm 10°C Application time of soldering iron : 3+ 1/-0 sec.															
Solderability	95 % coverage Min.	6.5 Test temperature of solder : 245 °C \pm 3°C Dipping them solder : 2 - 3 seconds															

ALL RIGHTS RESERVED. NO PORTION OF THIS PUBLICATION, WHETHER IN WHOLE OR IN PART CAN BE REPRODUCED WITHOUT THE EXPRESS WRITTEN CONSENT OF SPC TECHNOLOGY.

SIZE

DWG. NO.

A

TA-677

ELECTRONIC FILE

TA-677.DWG

REV

A

Multicomp Type No	Resistance	Package
MC0402WGF100JTCE-TC	10 ohm	Sold by Each
MC0402WGF100JTCE-TR	10 ohm	Sold in Tape and Reel (10,000)
MC0402WGF110JTCE-TC	11 ohm	Sold by Each
MC0402WGF110JTCE-TR	11 ohm	Sold in Tape and Reel (10,000)
MC0402WGF120JTCE-TC	12 ohm	Sold by Each
MC0402WGF120JTCE-TR	12 ohm	Sold in Tape and Reel (10,000)
MC0402WGF150JTCE-TC	15 ohm	Sold by Each
MC0402WGF150JTCE-TR	15 ohm	Sold in Tape and Reel (10,000)
MC0402WGF160JTCE-TC	16 ohm	Sold by Each
MC0402WGF160JTCE-TR	16 ohm	Sold in Tape and Reel (10,000)
MC0402WGF180JTCE-TC	18 ohm	Sold by Each
MC0402WGF180JTCE-TR	18 ohm	Sold in Tape and Reel (10,000)
MC0402WGF200JTCE-TC	20 ohm	Sold by Each
MC0402WGF200JTCE-TR	20 ohm	Sold in Tape and Reel (10,000)
MC0402WGF220JTCE-TC	22 ohm	Sold by Each
MC0402WGF220JTCE-TR	22 ohm	Sold in Tape and Reel (10,000)
MC0402WGF240JTCE-TC	24 ohm	Sold by Each
MC0402WGF240JTCE-TR	24 ohm	Sold in Tape and Reel (10,000)
MC0402WGF270JTCE-TC	27 ohm	Sold by Each
MC0402WGF270JTCE-TR	27 ohm	Sold in Tape and Reel (10,000)
MC0402WGF300JTCE-TC	30 ohm	Sold by Each
MC0402WGF300JTCE-TR	30 ohm	Sold in Tape and Reel (10,000)
MC0402WGF330JTCE-TC	33.2 ohm	Sold by Each
MC0402WGF330JTCE-TR	33.2 ohm	Sold in Tape and Reel (10,000)
MC0402WGF360JTCE-TC	36 ohm	Sold by Each
MC0402WGF360JTCE-TR	36 ohm	Sold in Tape and Reel (10,000)
MC0402WGF390JTCE-TC	39 ohm	Sold by Each
MC0402WGF390JTCE-TR	39 ohm	Sold in Tape and Reel (10,000)
MC0402WGF430JTCE-TC	43 ohm	Sold by Each
MC0402WGF430JTCE-TR	43 ohm	Sold in Tape and Reel (10,000)
MC0402WGF470JTCE-TC	47 ohm	Sold by Each
MC0402WGF470JTCE-TR	47 ohm	Sold in Tape and Reel (10,000)
MC0402WGF510JTCE-TC	51 ohm	Sold by Each
MC0402WGF510JTCE-TR	51 ohm	Sold in Tape and Reel (10,000)
MC0402WGF560JTCE-TC	56 ohm	Sold by Each
MC0402WGF560JTCE-TR	56 ohm	Sold in Tape and Reel (10,000)
MC0402WGF620JTCE-TC	62 ohm	Sold by Each
MC0402WGF620JTCE-TR	62 ohm	Sold in Tape and Reel (10,000)
MC0402WGF680JTCE-TC	68 ohm	Sold by Each
MC0402WGF680JTCE-TR	68 ohm	Sold in Tape and Reel (10,000)

Multicomp Type No	Resistance	Package
MC0402WGF750JTCE-TC	75 ohm	Sold by Each
MC0402WGF750JTCE-TR	75 ohm	Sold in Tape and Reel (10,000)
MC0402WGF820JTCE-TC	82 ohm	Sold by Each
MC0402WGF820JTCE-TR	82 ohm	Sold in Tape and Reel (10,000)
MC0402WGF910JTCE-TC	91 ohm	Sold by Each
MC0402WGF910JTCE-TR	91 ohm	Sold in Tape and Reel (10,000)
MC0402WGF1000TCE-TC	100 ohm	Sold by Each
MC0402WGF1000TCE-TR	100 ohm	Sold in Tape and Reel (10,000)
MC0402WGF1100TCE-TC	110 ohm	Sold by Each
MC0402WGF1100TCE-TR	110 ohm	Sold in Tape and Reel (10,000)
MC0402WGF1200TCE-TC	120 ohm	Sold by Each
MC0402WGF1200TCE-TR	120 ohm	Sold in Tape and Reel (10,000)
MC0402WGF1300TCE-TC	130 ohm	Sold by Each
MC0402WGF1300TCE-TR	130 ohm	Sold in Tape and Reel (10,000)
MC0402WGF1500TCE-TC	150 ohm	Sold by Each
MC0402WGF1500TCE-TR	150 ohm	Sold in Tape and Reel (10,000)
MC0402WGF1600TCE-TC	160 ohm	Sold by Each
MC0402WGF1600TCE-TR	160 ohm	Sold in Tape and Reel (10,000)
MC0402WGF1800TCE-TC	180 ohm	Sold by Each
MC0402WGF1800TCE-TR	180 ohm	Sold in Tape and Reel (10,000)
MC0402WGF2000TCE-TC	200 ohm	Sold by Each
MC0402WGF2000TCE-TR	200 ohm	Sold in Tape and Reel (10,000)
MC0402WGF2200TCE-TC	220 ohm	Sold by Each
MC0402WGF2200TCE-TR	220 ohm	Sold in Tape and Reel (10,000)
MC0402WGF2400TCE-TC	240 ohm	Sold by Each
MC0402WGF2400TCE-TR	240 ohm	Sold in Tape and Reel (10,000)
MC0402WGF2700TCE-TC	270 ohm	Sold by Each
MC0402WGF2700TCE-TR	270 ohm	Sold in Tape and Reel (10,000)
MC0402WGF3000TCE-TC	300 ohm	Sold by Each
MC0402WGF3000TCE-TR	300 ohm	Sold in Tape and Reel (10,000)
MC0402WGF3300TCE-TC	330 ohm	Sold by Each
MC0402WGF3300TCE-TR	330 ohm	Sold in Tape and Reel (10,000)
MC0402WGF3600TCE-TC	360 ohm	Sold by Each
MC0402WGF3600TCE-TR	360 ohm	Sold in Tape and Reel (10,000)
MC0402WGF3900TCE-TC	390 ohm	Sold by Each
MC0402WGF3900TCE-TR	390 ohm	Sold in Tape and Reel (10,000)
MC0402WGF4300TCE-TC	430 ohm	Sold by Each
MC0402WGF4300TCE-TR	430 ohm	Sold in Tape and Reel (10,000)
MC0402WGF4700TCE-TC	470 ohm	Sold by Each
MC0402WGF4700TCE-TR	470 ohm	Sold in Tape and Reel (10,000)

ALL RIGHTS RESERVED. NO PORTION OF THIS PUBLICATION, WHETHER IN WHOLE OR IN PART CAN BE REPRODUCED WITHOUT THE EXPRESS WRITTEN CONSENT OF SPC TECHNOLOGY.

SIZE

A

DWG. NO.

TA-677

ELECTRONIC FILE

TA-677.DWG

REV

A

Multicomp Type No	Resistance	Package
MC0402WGF5100TCE-TC	510 ohm	Sold by Each
MC0402WGF5100TCE-TR	510 ohm	Sold in Tape and Reel (10,000)
MC0402WGF5600TCE-TC	560 ohm	Sold by Each
MC0402WGF5600TCE-TR	560 ohm	Sold in Tape and Reel (10,000)
MC0402WGF6200TCE-TC	620 ohm	Sold by Each
MC0402WGF6200TCE-TR	620 ohm	Sold in Tape and Reel (10,000)
MC0402WGF6800TCE-TC	680 ohm	Sold by Each
MC0402WGF6800TCE-TR	680 ohm	Sold in Tape and Reel (10,000)
MC0402WGF7500TCE-TC	750 ohm	Sold by Each
MC0402WGF7500TCE-TR	750 ohm	Sold in Tape and Reel (10,000)
MC0402WGF8200TCE-TC	820 ohm	Sold by Each
MC0402WGF8200TCE-TR	820 ohm	Sold in Tape and Reel (10,000)
MC0402WGF9100TCE-TC	910 ohm	Sold by Each
MC0402WGF9100TCE-TR	910 ohm	Sold in Tape and Reel (10,000)
MC0402WGF1001TCE-TC	1 Kohm	Sold by Each
MC0402WGF1001TCE-TR	1 Kohm	Sold in Tape and Reel (10,000)
MC0402WGF1101TCE-TC	1.1 Kohm	Sold by Each
MC0402WGF1101TCE-TR	1.1 Kohm	Sold in Tape and Reel (10,000)
MC0402WGF1201TCE-TC	1.2 Kohm	Sold by Each
MC0402WGF1201TCE-TR	1.2 Kohm	Sold in Tape and Reel (10,000)
MC0402WGF1301TCE-TC	1.3 Kohm	Sold by Each
MC0402WGF1301TCE-TR	1.3 Kohm	Sold in Tape and Reel (10,000)
MC0402WGF1501TCE-TC	1.5 Kohm	Sold by Each
MC0402WGF1501TCE-TR	1.5 Kohm	Sold in Tape and Reel (10,000)
MC0402WGF1601TCE-TC	1.6 Kohm	Sold by Each
MC0402WGF1601TCE-TR	1.6 Kohm	Sold in Tape and Reel (10,000)
MC0402WGF1801TCE-TC	1.8 Kohm	Sold by Each
MC0402WGF1801TCE-TR	1.8 Kohm	Sold in Tape and Reel (10,000)
MC0402WGF2001TCE-TC	2 Kohm	Sold by Each
MC0402WGF2001TCE-TR	2 Kohm	Sold in Tape and Reel (10,000)
MC0402WGF2201TCE-TC	2.2 Kohm	Sold by Each
MC0402WGF2201TCE-TR	2.2 Kohm	Sold in Tape and Reel (10,000)
MC0402WGF2401TCE-TC	2.4 Kohm	Sold by Each
MC0402WGF2401TCE-TR	2.4 Kohm	Sold in Tape and Reel (10,000)
MC0402WGF2701TCE-TC	2.7 Kohm	Sold by Each
MC0402WGF2701TCE-TR	2.7 Kohm	Sold in Tape and Reel (10,000)
MC0402WGF3001TCE-TC	3 Kohm	Sold by Each
MC0402WGF3001TCE-TR	3 Kohm	Sold in Tape and Reel (10,000)
MC0402WGF3301TCE-TC	3.3 Kohm	Sold by Each
MC0402WGF3301TCE-TR	3.3 Kohm	Sold in Tape and Reel (10,000)

Multicomp Type No	Resistance	Package
MC0402WGF3601TCE-TC	3.6 Kohm	Sold by Each
MC0402WGF3601TCE-TR	3.6 Kohm	Sold in Tape and Reel (10,000)
MC0402WGF3901TCE-TC	3.9 Kohm	Sold by Each
MC0402WGF3901TCE-TR	3.9 Kohm	Sold in Tape and Reel (10,000)
MC0402WGF4301TCE-TC	4.3 Kohm	Sold by Each
MC0402WGF4301TCE-TR	4.3 Kohm	Sold in Tape and Reel (10,000)
MC0402WGF4701TCE-TC	4.7 Kohm	Sold by Each
MC0402WGF4701TCE-TR	4.7 Kohm	Sold in Tape and Reel (10,000)
MC0402WGF5101TCE-TC	5.1 Kohm	Sold by Each
MC0402WGF5101TCE-TR	5.1 Kohm	Sold in Tape and Reel (10,000)
MC0402WGF5601TCE-TC	5.6 Kohm	Sold by Each
MC0402WGF5601TCE-TR	5.6 Kohm	Sold in Tape and Reel (10,000)
MC0402WGF6201TCE-TC	6.2 Kohm	Sold by Each
MC0402WGF6201TCE-TR	6.2 Kohm	Sold in Tape and Reel (10,000)
MC0402WGF6801TCE-TC	6.8 Kohm	Sold by Each
MC0402WGF6801TCE-TR	6.8 Kohm	Sold in Tape and Reel (10,000)
MC0402WGF7501TCE-TC	7.5 Kohm	Sold by Each
MC0402WGF7501TCE-TR	7.5 Kohm	Sold in Tape and Reel (10,000)
MC0402WGF8201TCE-TC	8.2 Kohm	Sold by Each
MC0402WGF8201TCE-TR	8.2 Kohm	Sold in Tape and Reel (10,000)
MC0402WGF9101TCE-TC	9.1 Kohm	Sold by Each
MC0402WGF9101TCE-TR	9.1 Kohm	Sold in Tape and Reel (10,000)
MC0402WGF1002TCE-TC	10 Kohm	Sold by Each
MC0402WGF1002TCE-TR	10 Kohm	Sold in Tape and Reel (10,000)
MC0402WGF1102TCE-TC	11 Kohm	Sold by Each
MC0402WGF1102TCE-TR	11 Kohm	Sold in Tape and Reel (10,000)
MC0402WGF1202TCE-TC	12 Kohm	Sold by Each
MC0402WGF1202TCE-TR	12 Kohm	Sold in Tape and Reel (10,000)
MC0402WGF1302TCE-TC	13 Kohm	Sold by Each
MC0402WGF1302TCE-TR	13 Kohm	Sold in Tape and Reel (10,000)
MC0402WGF1502TCE-TC	15 Kohm	Sold by Each
MC0402WGF1502TCE-TR	15 Kohm	Sold in Tape and Reel (10,000)
MC0402WGF1602TCE-TC	16 Kohm	Sold by Each
MC0402WGF1602TCE-TR	16 Kohm	Sold in Tape and Reel (10,000)
MC0402WGF1802TCE-TC	18 Kohm	Sold by Each
MC0402WGF1802TCE-TR	18 Kohm	Sold in Tape and Reel (10,000)
MC0402WGF2002TCE-TC	20 Kohm	Sold by Each
MC0402WGF2002TCE-TR	20 Kohm	Sold in Tape and Reel (10,000)
MC0402WGF2202TCE-TC	22 Kohm	Sold by Each
MC0402WGF2202TCE-TR	22 Kohm	Sold in Tape and Reel (10,000)

ALL RIGHTS RESERVED. NO PORTION OF THIS PUBLICATION, WHETHER IN WHOLE OR IN PART CAN BE REPRODUCED WITHOUT THE EXPRESS WRITTEN CONSENT OF SPC TECHNOLOGY.

SIZE

DWG. NO.

ELECTRONIC FILE

REV

A

TA-677

TA-677.DWG

A

Multicomp Type No	Resistance	Package
MC0402WGF2402TCE-TC	24 Kohm	Sold by Each
MC0402WGF2402TCE-TR	24 Kohm	Sold in Tape and Reel (10,000)
MC0402WGF2702TCE-TC	27 Kohm	Sold by Each
MC0402WGF2702TCE-TR	27 Kohm	Sold in Tape and Reel (10,000)
MC0402WGF3002TCE-TC	30 Kohm	Sold by Each
MC0402WGF3002TCE-TR	30 Kohm	Sold in Tape and Reel (10,000)
MC0402WGF3302TCE-TC	33 Kohm	Sold by Each
MC0402WGF3302TCE-TR	33 Kohm	Sold in Tape and Reel (10,000)
MC0402WGF3602TCE-TC	36 Kohm	Sold by Each
MC0402WGF3602TCE-TR	36 Kohm	Sold in Tape and Reel (10,000)
MC0402WGF3902TCE-TC	39 Kohm	Sold by Each
MC0402WGF3902TCE-TR	39 Kohm	Sold in Tape and Reel (10,000)
MC0402WGF4302TCE-TC	43 Kohm	Sold by Each
MC0402WGF4302TCE-TR	43 Kohm	Sold in Tape and Reel (10,000)
MC0402WGF4702TCE-TC	47 Kohm	Sold by Each
MC0402WGF4702TCE-TR	47 Kohm	Sold in Tape and Reel (10,000)
MC0402WGF5102TCE-TC	51 Kohm	Sold by Each
MC0402WGF5102TCE-TR	51 Kohm	Sold in Tape and Reel (10,000)
MC0402WGF5602TCE-TC	56 Kohm	Sold by Each
MC0402WGF5602TCE-TR	56 Kohm	Sold in Tape and Reel (10,000)
MC0402WGF6202TCE-TC	62 Kohm	Sold by Each
MC0402WGF6202TCE-TR	62 Kohm	Sold in Tape and Reel (10,000)
MC0402WGF6802TCE-TC	68 Kohm	Sold by Each
MC0402WGF6802TCE-TR	68 Kohm	Sold in Tape and Reel (10,000)
MC0402WGF7502TCE-TC	75 Kohm	Sold by Each
MC0402WGF7502TCE-TR	75 Kohm	Sold in Tape and Reel (10,000)
MC0402WGF8202TCE-TC	82 Kohm	Sold by Each
MC0402WGF8202TCE-TR	82 Kohm	Sold in Tape and Reel (10,000)
MC0402WGF9102TCE-TC	91 Kohm	Sold by Each
MC0402WGF9102TCE-TR	91 Kohm	Sold in Tape and Reel (10,000)
MC0402WGF1003TCE-TC	100 Kohm	Sold by Each
MC0402WGF1003TCE-TR	100 Kohm	Sold in Tape and Reel (10,000)
MC0402WGF1103TCE-TC	110 Kohm	Sold by Each
MC0402WGF1103TCE-TR	110 Kohm	Sold in Tape and Reel (10,000)
MC0402WGF1203TCE-TC	120 Kohm	Sold by Each
MC0402WGF1203TCE-TR	120 Kohm	Sold in Tape and Reel (10,000)
MC0402WGF1303TCE-TC	130 Kohm	Sold by Each
MC0402WGF1303TCE-TR	130 Kohm	Sold in Tape and Reel (10,000)
MC0402WGF1503TCE-TC	150 Kohm	Sold by Each
MC0402WGF1503TCE-TR	150 Kohm	Sold in Tape and Reel (10,000)

Multicomp Type No	Resistance	Package
MC0402WGF1603TCE-TC	160 Kohm	Sold by Each
MC0402WGF1603TCE-TR	160 Kohm	Sold in Tape and Reel (10,000)
MC0402WGF1803TCE-TC	180 Kohm	Sold by Each
MC0402WGF1803TCE-TR	180 Kohm	Sold in Tape and Reel (10,000)
MC0402WGF2003TCE-TC	200 Kohm	Sold by Each
MC0402WGF2003TCE-TR	200 Kohm	Sold in Tape and Reel (10,000)
MC0402WGF2203TCE-TC	220 Kohm	Sold by Each
MC0402WGF2203TCE-TR	220 Kohm	Sold in Tape and Reel (10,000)
MC0402WGF2403TCE-TC	240 Kohm	Sold by Each
MC0402WGF2403TCE-TR	240 Kohm	Sold in Tape and Reel (10,000)
MC0402WGF2703TCE-TC	270 Kohm	Sold by Each
MC0402WGF2703TCE-TR	270 Kohm	Sold in Tape and Reel (10,000)
MC0402WGF3003TCE-TC	300 Kohm	Sold by Each
MC0402WGF3003TCE-TR	300 Kohm	Sold in Tape and Reel (10,000)
MC0402WGF3303TCE-TC	330 Kohm	Sold by Each
MC0402WGF3303TCE-TR	330 Kohm	Sold in Tape and Reel (10,000)
MC0402WGF3603TCE-TC	360 Kohm	Sold by Each
MC0402WGF3603TCE-TR	360 Kohm	Sold in Tape and Reel (10,000)
MC0402WGF3903TCE-TC	390 Kohm	Sold by Each
MC0402WGF3903TCE-TR	390 Kohm	Sold in Tape and Reel (10,000)
MC0402WGF4303TCE-TC	430 Kohm	Sold by Each
MC0402WGF4303TCE-TR	430 Kohm	Sold in Tape and Reel (10,000)
MC0402WGF4703TCE-TC	470 Kohm	Sold by Each
MC0402WGF4703TCE-TR	470 Kohm	Sold in Tape and Reel (10,000)
MC0402WGF5103TCE-TC	510 Kohm	Sold by Each
MC0402WGF5103TCE-TR	510 Kohm	Sold in Tape and Reel (10,000)
MC0402WGF5603TCE-TC	560 Kohm	Sold by Each
MC0402WGF5603TCE-TR	560 Kohm	Sold in Tape and Reel (10,000)
MC0402WGF6203TCE-TC	620 Kohm	Sold by Each
MC0402WGF6203TCE-TR	620 Kohm	Sold in Tape and Reel (10,000)
MC0402WGF6803TCE-TC	680 Kohm	Sold by Each
MC0402WGF6803TCE-TR	680 Kohm	Sold in Tape and Reel (10,000)
MC0402WGF7503TCE-TC	750 Kohm	Sold by Each
MC0402WGF7503TCE-TR	750 Kohm	Sold in Tape and Reel (10,000)
MC0402WGF8203TCE-TC	820 Kohm	Sold by Each
MC0402WGF8203TCE-TR	820 Kohm	Sold in Tape and Reel (10,000)
MC0402WGF9103TCE-TC	910 Kohm	Sold by Each
MC0402WGF9103TCE-TR	910 Kohm	Sold in Tape and Reel (10,000)
MC0402WGF1004TCE-TC	1 Mohm	Sold by Each
MC0402WGF1004TCE-TR	1 Mohm	Sold in Tape and Reel (10,000)

ALL RIGHTS RESERVED. NO PORTION OF THIS PUBLICATION, WHETHER IN WHOLE OR IN PART CAN BE REPRODUCED WITHOUT THE EXPRESS WRITTEN CONSENT OF SPC TECHNOLOGY.

SIZE
A

DWG. NO.

TA-677

ELECTRONIC FILE

TA-677.DWG

REV

A