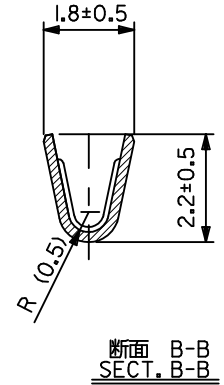
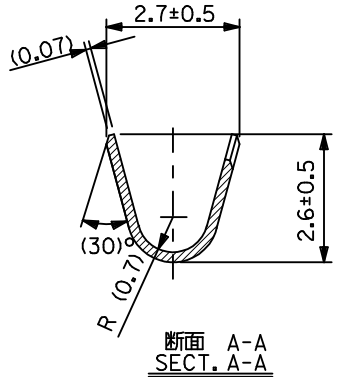
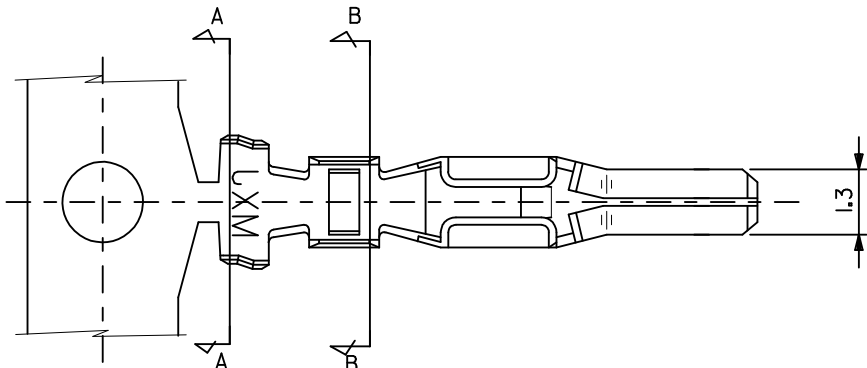
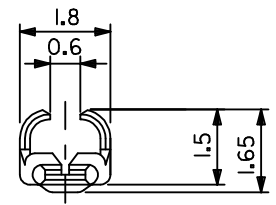
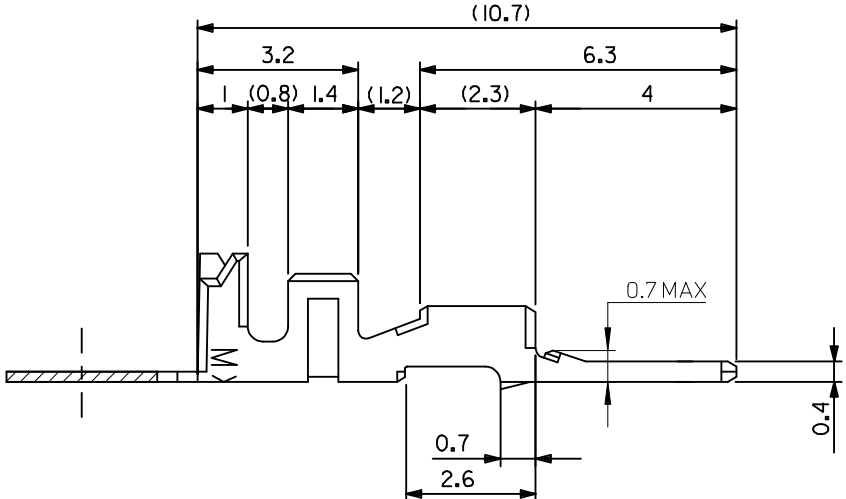


10 9 8 7 6 5 4 3 2 1



注記  
NOTES

1. 適合ハウジング アッセンブリ; 52266-\*\*\*  
APPLICABLE HS'G ASS'Y; 52266-\*\*\*
2. 嵌合相手; 50148-8\*00  
MATES WITH; 50148-8\*00



50147-8100	バラ状 LOOSE
50147-8000	連鎖状 CHAIN
製品番号 ENG.NO.	端子形状 FORM

材料 MATERIAL	リン青銅 錫メッキ (+0.2) PHOSPHOR BRONZE TIN PLATING(+0.2)
適用電線範囲 WIRE RANGE	AVSS-0.3 AVSS-0.5 CAVS-0.3 CAVS-0.5
被覆外径 INS. RANGE	φ1.4-1.7

REVISED & REDRAWN EC NO: JTR2010-0004 DRM: NISHIBATA 2009/07/28 CHKD: TAITO 2009/07/28 APPR: MAYAMOTO 2009/07/28	GENERAL TOLERANCES (UNLESS SPECIFIED)	DIMENSION STYLE MM ONLY	SCALE 10:1	DESIGN UNITS METRIC	THIRD ANGLE PROJECTION
	10 UNDER ±0.3	DRAWN BY M. SANO	DATE 1991/7/17	TITLE 2.5 MINI SPLASH PROOF CONN. CRIMP PIN.	
	10 OVER 30 UNDER ±0.25	CHECKED BY M. SAKANO	DATE 1992/8/6		
	30 OVER ±0.2	APPROVED BY M. ENOMOTO	DATE 1992/8/6		
ANGULAR ±3°	MATERIAL NO.	DOCUMENT NO.			
DRAFT WHERE APPLICABLE MUST REMAIN WITHIN DIMENSIONS	SEE CHART	MOLEX INCORPORATED		SHEET NO. 1 OF 1	
SIZE A3	THIS DRAWING CONTAINS INFORMATION THAT IS PROPRIETARY TO MOLEX INCORPORATED AND SHOULD NOT BE USED WITHOUT WRITTEN PERMISSION				

