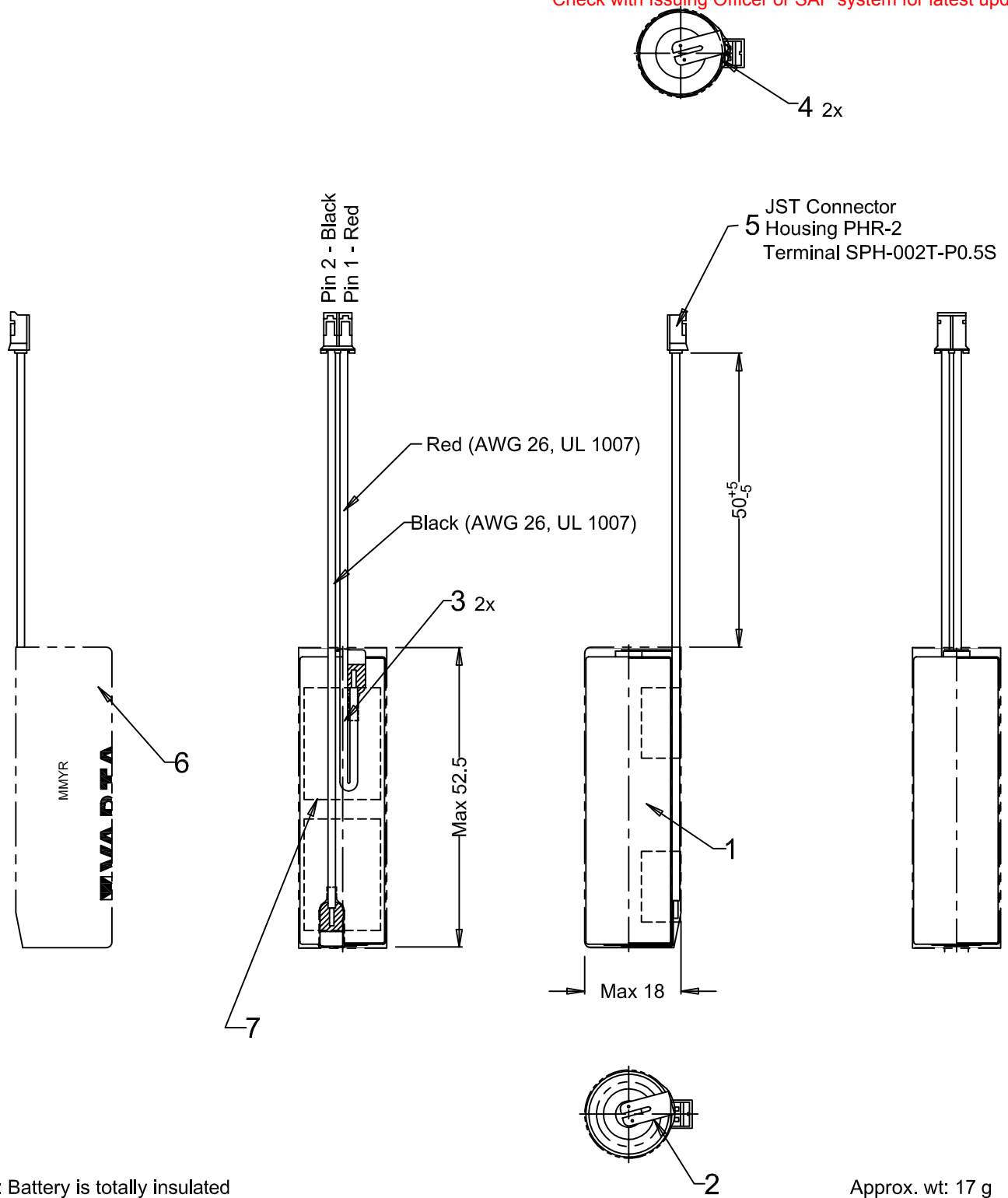


This is a controlled document.
 Hardcopy to be endorsed by authorised person.
 Check with Issuing Officer or SAP system for latest update.



Note: Battery is totally insulated

Approx. wt: 17 g

| | | | | |
|----|---------|---|------------|-----------|
| 0 | T070/09 | Refer to provisional drawing # P26-00205, revision: 001 | 2009-07-29 | TitisWS |
| No | AO No | Revisions | 1 | Date Name |

| | | | | | |
|-------------------------|--|---------------------|--|---------------|-------|
| Projection: | Material: Refer to part list no: 703590 | | Description: ER AA WC with sleeve & wires connector | | |
| Dimensions in mm | Prepared & Checked | Verified & Approved | Dwg. No: | 703590 | 4 0 0 |
| Tolerance: As specified | 2009-07-29 | TitisWS | VKB Order No: | 07106 201 390 | |
| Scale: 2 : 1 | | | | | |

Rights reserved to make technical changes, as a result of further development, without notice. This drawing is the property of VARTA Microbattery and must not be copied or disclosed to a third party without the written consent of VARTA Microbattery.

