



Date  
8-26-09

DRN BY  
MEA

TITLE  
SMALL CHARGER  
CLIP

ISSUE NO.

0  
8-26-09

1  
9-9-09

2  
3  
4  
5  
6  
7  
8

PART NO.  
501774

PROJ. NO.

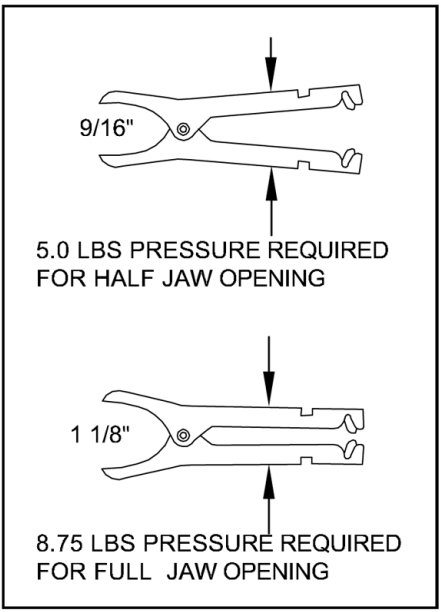
This drawing is not to be disclosed to a third party without the authority from the company ©

MAT'L  
STEEL

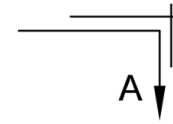
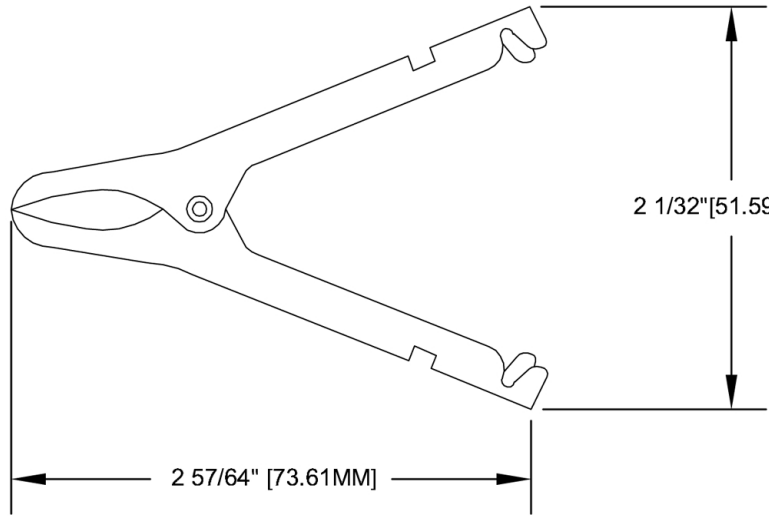
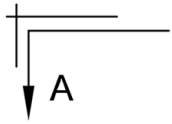
SCALE  
NONE

CURRENT RATING:  
50 AMP

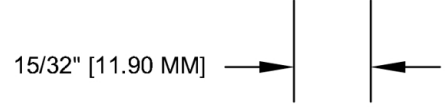
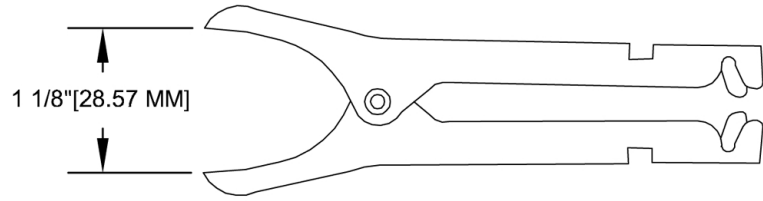
FEDERAL SPEC : CID AA59466-010



SPRING TESTED PER  
FED. SPEC. #WC440B  
FORCE APPLIED ON THE  
CENTER OF SPRING AXIS  
FINISH: COPPER PLATED



501774\_B = 501774 CLIP & 400010\_B INSULATORS INSTALLED  
501774\_R = 501774 CLIP & 400010\_R INSULATORS INSTALLED



SECTION A-A

ASSEMBLY NO.

PACKAGING :

PRINTING AS ILLUSTRATED

CONCENTRICITY:

ANGLES