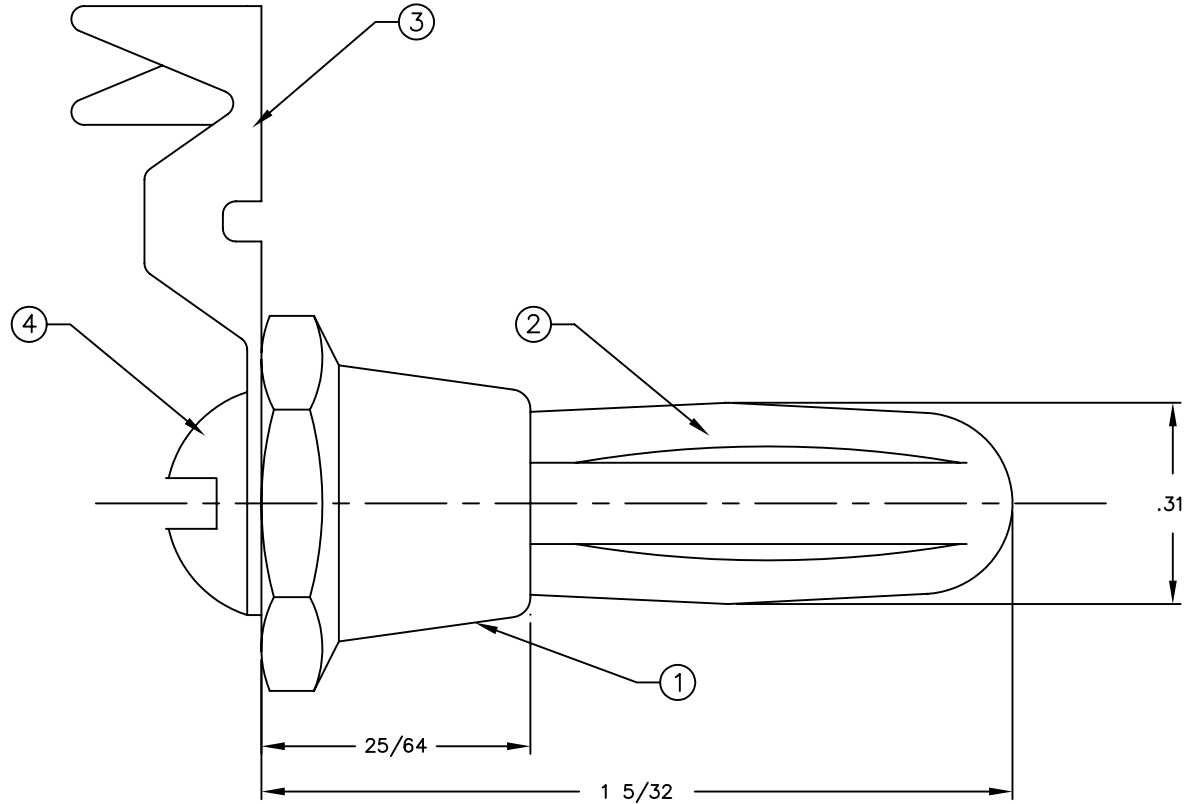
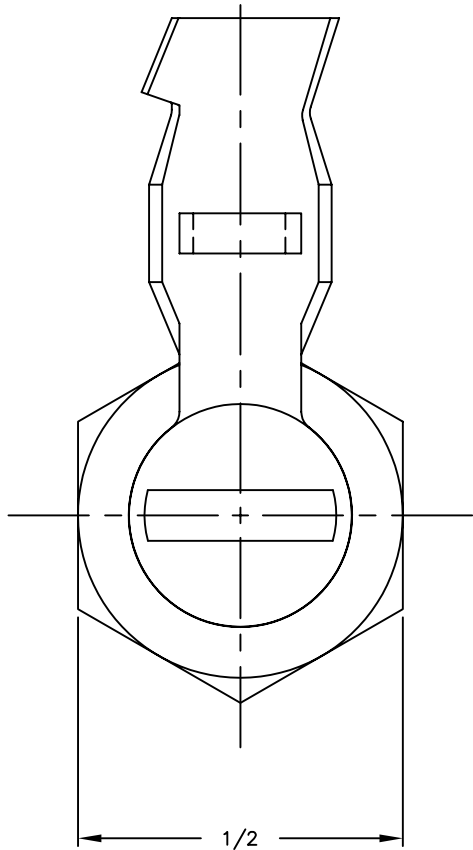


BILL OF MATERIALS

DET.	QTY.	DESCRIPTION	MATERIAL
1	1	BODY	BRASS
2	1	CONTACT	BERYLLIUM COPPER
3	1	LUG	BRASS
4	1	SCREW	STEEL

REVISIONS

SYM	DESCRIPTION	REVISED BY	DATE	APPR



MATERIAL: "SEE TABLE"			FINISH: NICKEL			ABBATRON Electronic Connectors and Hardware 632 Arch Street, Meadville, Pa. 16335		
DIMENSIONAL TOLERANCES UNLESS OTHERWISE SPECIFIED			TITLE: 186 UNINSULATED GIANT BANANA PLUG ASSEMBLY					
.XX	.XXX	.XXXX						
---	±.005	---						
FRACTIONS	ANGLES	SCALE						
±1/64	---	5:1						
HEAT TREAT: ---			DRAWN: T. LORD DATE: 08/03/04			SIZE	DRAWING NUMBER	
PLOT SCALE: 1=1			CHECKED: T. LORD DATE: 08/03/04			B	SD-186	
			APPROVED: T. LORD DATE: 08/03/04				D	