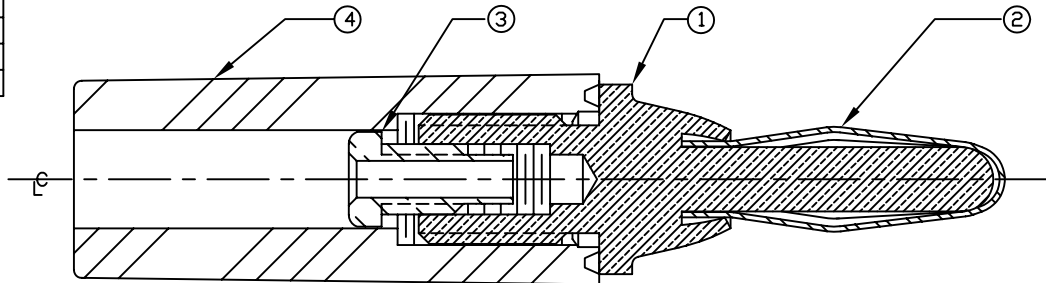
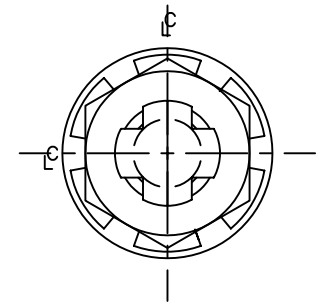
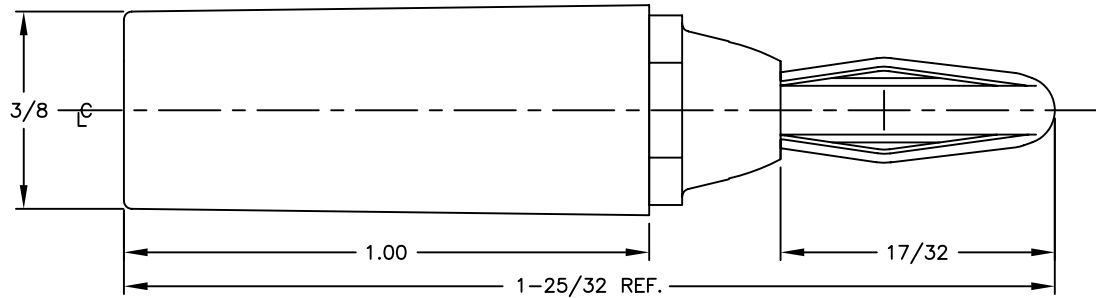
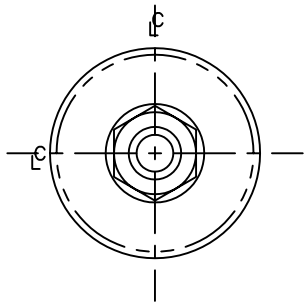


BILL OF MATERIALS			
DET.	QTY.	DESCRIPTION	MATERIAL
1	1	BODY	BRASS
2	1	SPRING- CONTACT	BERYLLIUM-COPPER
3	1	STUD- SCREW	BRASS
4	1	HANDLE	NYLON



FULL SECTION



BANANA PLUG ASSEMBLY	
PART NO.	COLOR
212-101	WHITE
212-102	RED
212-103	BLACK
212-104	GREEN
212-105	BLUE
212-107	YELLOW

MATERIAL			FINISH			NICKEL CODE 9		
DIMENSIONAL TOLERANCES UNLESS OTHERWISE SPECIFIED			TITLE					
			212 SERIES					
			BANANA PLUG ASSEMBLY					
.XX	.XXX	.XXXX	DRAWN: E. MCKINNEY DATE 7-16-92					
±.015	±.005	---	CHECKED: E. MCKINNEY DATE 7-16-92					
FRACTIONS	ANGLES	SCALE	APPROVED: D. MILLER DATE 7-17-92					
±1/64	±1°	4:1	HEAT TREAT			PLLOT SCALE		
			---			1=1		
			SIZE			DRAWING NUMBER		
			B			SD-212		
			ISSUE			F		

ABBATRON
Electronic Connectors and Hardware
632 Arch Street, Meadville, Pa. 16335