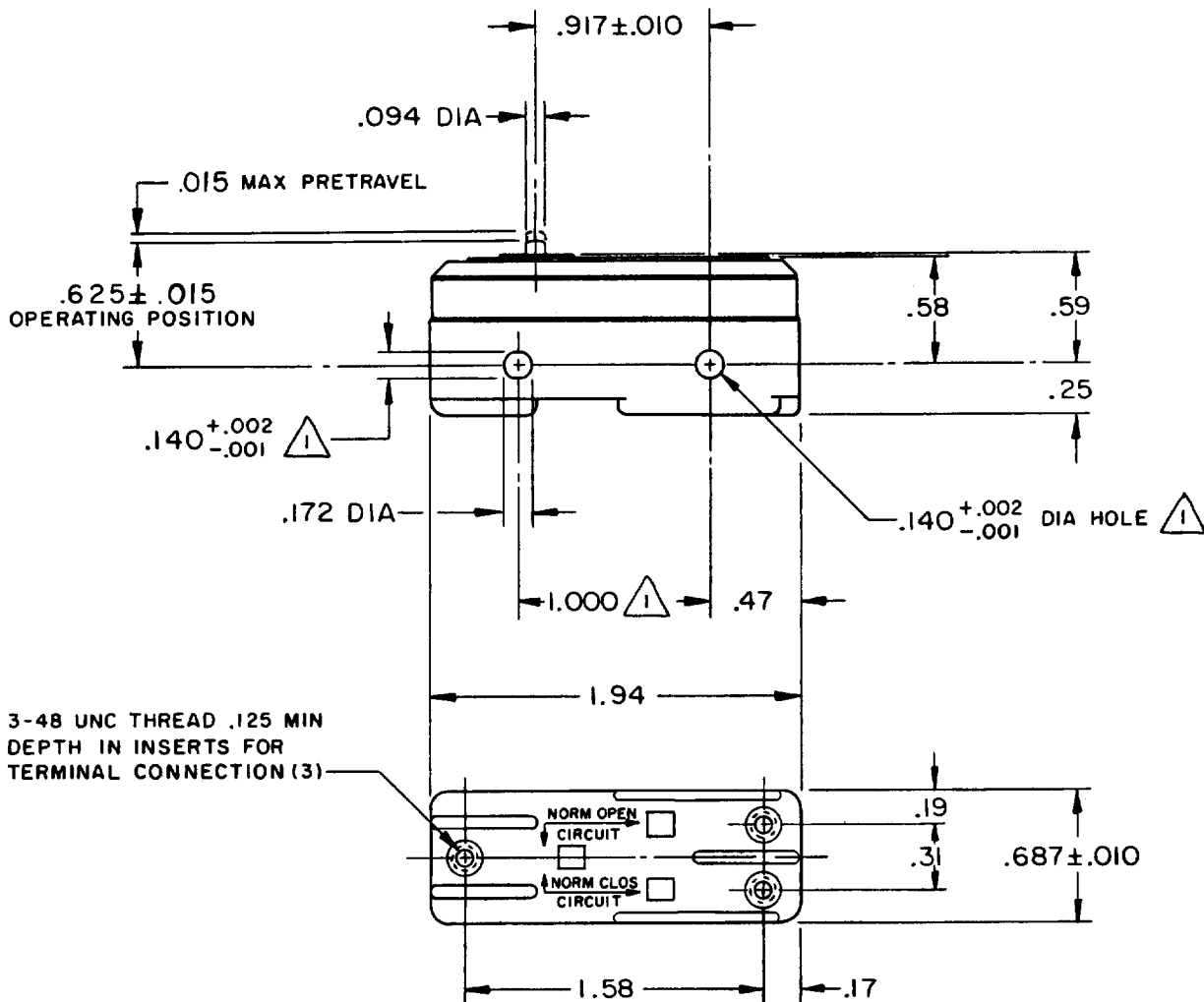


CATALOG LISTING  
**BM-1R2420**  
 PAGE 1 OF 1  
**M**  
 ISSUE 5  
 ASD 23NOV07  
 PR-7087  
 REPLACES  
 REVISIONS:  
 A CO-94212-E  
 3 DCS SEP 99  
 B 0033746  
 JA 12SEP07  
 C 0035411  
 JA 23NOV07  
 PSR  
 CHECK JAF  
 3 SEP 99  
 CHECK JAF  
 3 SEP 99  
 CHECK JAF  
 3 SEP 99  
 DCS 3 SEP 99  
**RASTER**  
 DRAWN



**NOTE**  
 1 MOUNTING HOLES WILL ACCEPT PINS OR SCREWS OF .139 MAX DIA ON 1.000±.002 CENTERS  
 2- SWITCH WILL WITHSTAND TEMPERATURE OF 250° F

THIS DRAWING COVERS A PROPRIETARY ITEM AND IS THE PROPERTY OF MICRO SWITCH, A DIVISION OF HONEYWELL. THIS DRAWING IS NOT TO BE COPIED OR USED WITHOUT THE APPROVAL OF MICRO SWITCH.

THIRD ANGLE PROJECTION

CHARACTERISTICS	
OPERATING FORCE	----- 7-10 OZ
RELEASE FORCE	----- 4 OZ MIN
DIFFERENTIAL TRAVEL	-- .0005 - .0010
OVERTRAVEL	----- .005 MIN

ELECTRICAL DATA	
CONTACT ARRANGEMENT S P D T	
L161	22A 125, 250 OR 480 VAC 1/2HP 125 VAC, 1HP 250 VAC
L288	
L315	
L310	
22A 250V ~ T85 5E4	

SCALE	FULL	DO NOT SCALE PRINT
UNLESS OTHERWISE SPECIFIED TOLERANCES ARE		
ONE PLACE	(.0)	±.030
TWO PLACE	(.00)	±.015
THREE PLACE	(.000)	±.005
ANGLES		±
WEIGHT .050 LB		