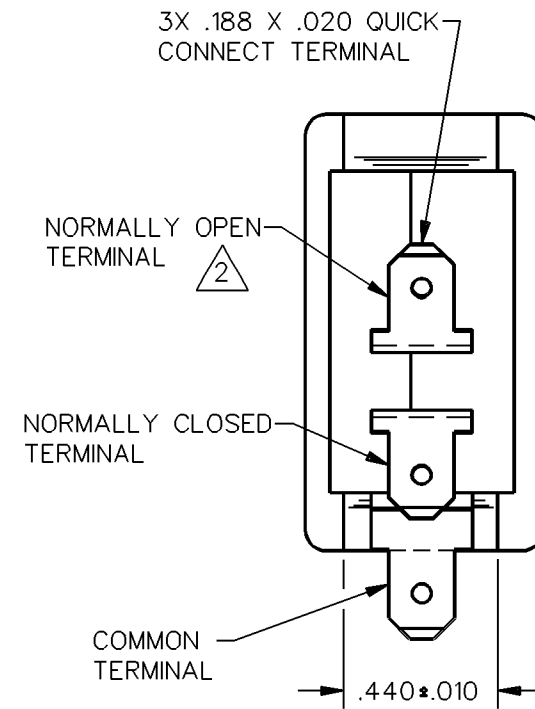
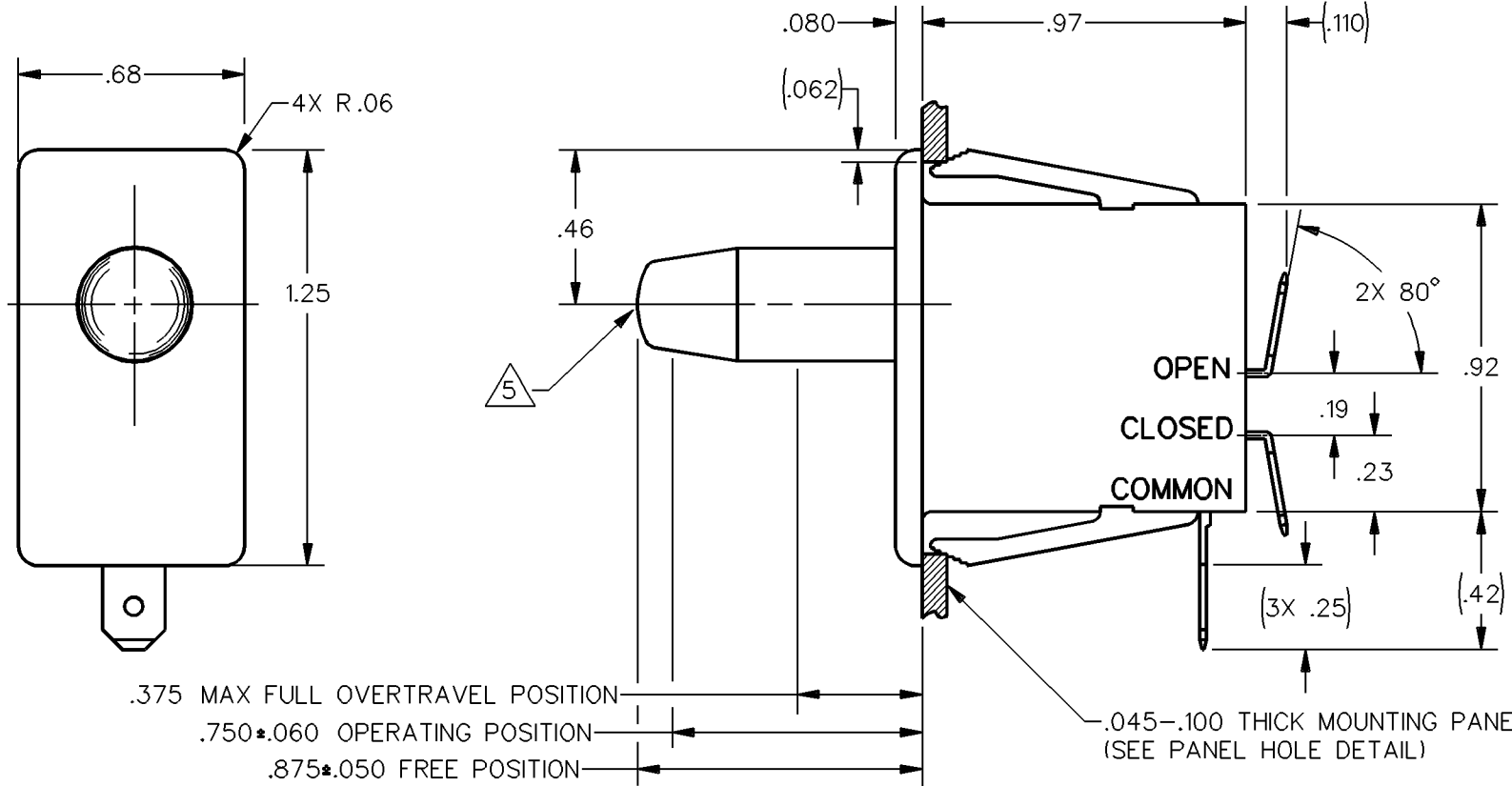
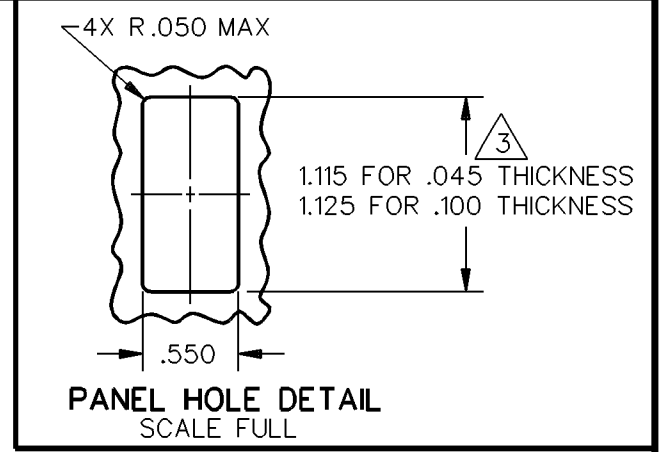
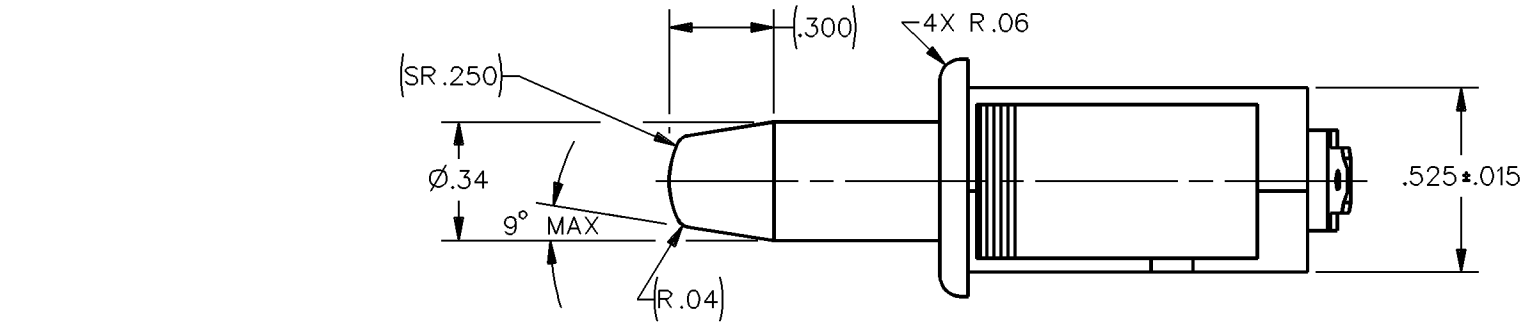


MICRO SWITCH
a Honeywell Division
FED. MFG. CODE 91929

SWITCH - BASIC

CATALOG LISTING
1DM79

CATALOG LISTING 1DM79
ISSUE 5
REPLACES PR-5529
CHECK
REVISIONS
A CO-72328
DHD
17 JUL 92
CHECK
DHD 17 JUL 92
CHECK
DDM/CAD
DRAWN



THIS DRAWING COVERS A PROPRIETARY ITEM AND IS THE PROPERTY OF MICRO SWITCH, A DIVISION OF HONEYWELL. THIS DRAWING IS NOT TO BE COPIED OR USED WITHOUT THE APPROVAL OF MICRO SWITCH

THIRD ANGLE PROJECTION

SCALE 2 TO 1

DO NOT SCALE PRINT

UNLESS OTHERWISE SPECIFIED TOLERANCES ARE

ONE PLACE	(.0)	±.030
TWO PLACE	(.00)	±.015
THREE PLACE	(.000)	±.005
ANGLES		± 5°
WEIGHT		

CHARACTERISTICS	ELECTRICAL DATA
OPERATING FORCE - - - - - 15 OZ MAX	CONTACT ARRANGEMENT S P D T
RELEASE FORCE - - - - - 3 OZ MIN	L22 1A 125 VAC
DIFFERENTIAL TRAVEL - - .045 APPROX	
OVERTRAVEL - - - - - .375 MIN	
PLUNGER FORCE AT .375 OVERTRAVEL 21 OZ MAX	

- NOTES
- 1 - WHITE PLASTIC CASE AND PLUNGER
 - (2) FLAG STYLE QUICK CONNECT RECEPTACLE REQUIRED FOR NORMALLY OPEN TERMINAL IF SWITCH IS WIRED BEFORE MOUNTING
 - (3) NOMINAL CUTOUT DIMENSION FOR PANELS BETWEEN .045 AND .100 SHOULD BE INTERPOLATED BETWEEN 1.115 AND 1.125
 - 4 SWITCH HAS GOLD ALLOY CONTACTS
 - (5) PUSH TO OPERATE - MOMENTARY



ANSI Y14.5M-1982 APPLIES