

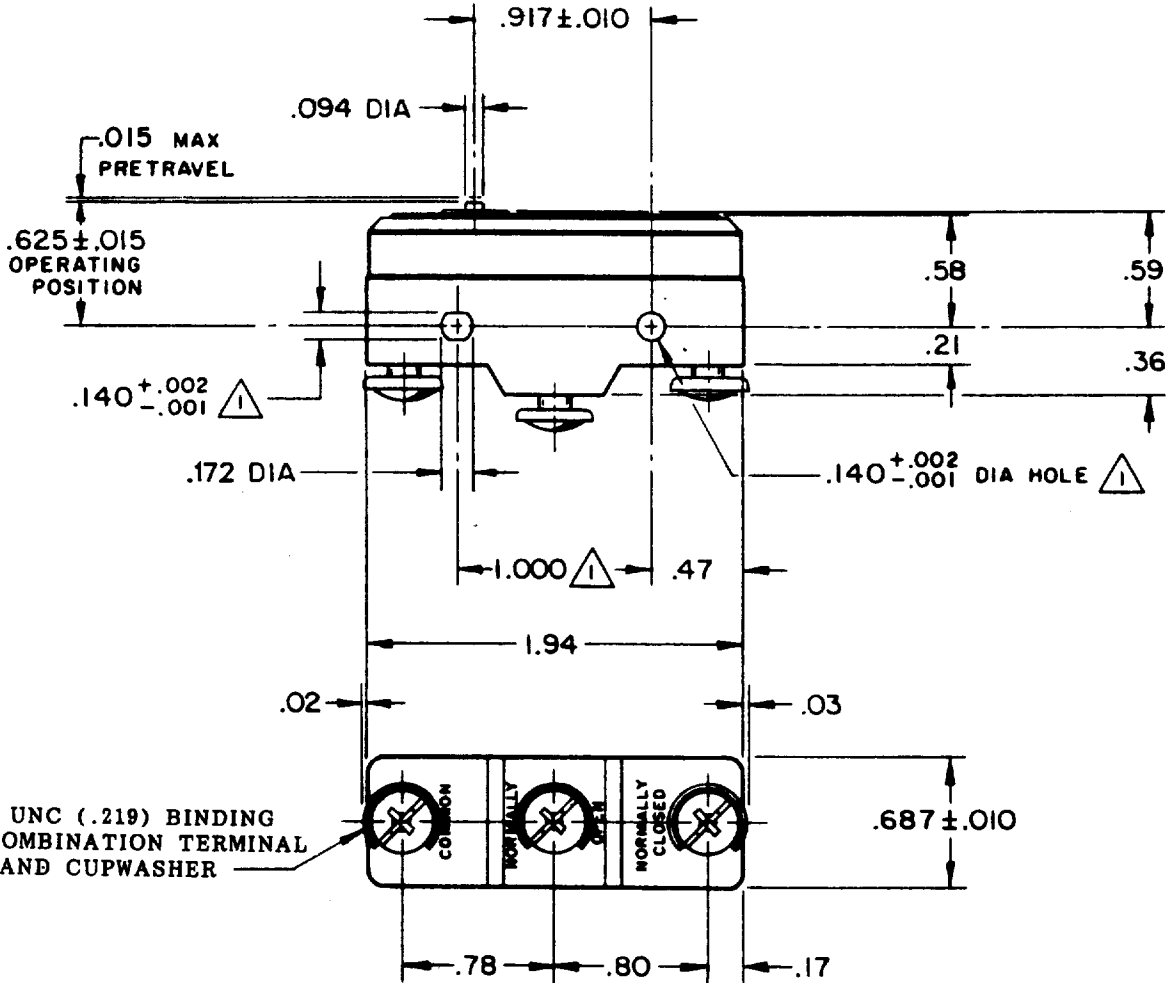


**MICRO SWITCH**  
 FREEPORT ILLINOIS  
 A DIVISION OF HONEYWELL  
 FED. MFG. CODE 91929

# SWITCH - BASIC

CATALOG LISTING  
**BM - 1R - A4**

**BM - 1R - A4**  
 REPLACES  
**M**  
 DRAWING NUMBER  
 ISSUE  
 REVISIONS  
 A CO16851 6 CH 16 FEB 63  
 B CO21528 16 B 22 MAY 66  
 C CO52342 61H 6 AUG 73  
 D CO 32894 61H 16 OCT 73  
 E CO 73287-G 20 OCT 83  
 F CO 77588 K D R 29 MAR 94  
 G 0035411 JA 23NOV07  
 CHECK DAW 4 APR 63  
 CHECK ASD 23NOV07  
 CHECK DAW 16 FEB 63  
 DRAWN GCH



3X 8-32 UNC (.219) BINDING HEAD COMBINATION TERMINAL SCREW AND CUPWASHER

**NOTE -**  
 MOUNTING HOLES WILL ACCEPT PINS OR SCREWS OF  $.139 \text{ MAX DIA}$  ON  $1.000 \pm .002$  CENTERS

THIS DRAWING COVERS A PROPRIETARY ITEM AND IS THE PROPERTY OF MICRO SWITCH, A DIVISION OF MINNEAPOLIS-HONEYWELL REGULATOR CO. THIS DRAWING IS NOT TO BE COPIED OR USED WITHOUT THE APPROVAL OF MICRO SWITCH.

CHARACTERISTICS	ELECTRICAL DATA	SCALE FULL
OPERATING FORCE ----- 7 - 10 OZ	CONTACT ARRANGEMENT S P D T	DO NOT SCALE PRINT
RELEASE FORCE ----- 4 OZ MIN	-L181- 22 A - 125, 250, OR 480 VAC 1/2 HP - 125 VAC; 1 HP - 250 VAC  22A 250V ~ T85 5E4	UNLESS OTHERWISE SPECIFIED DIMENSIONS ARE IN INCHES
DIFFERENTIAL TRAVEL ---- .0005 - .0010		TOLERANCES ARE:
OVERTRAVEL ----- .005 MIN		ONE PLACE (.0) $\pm .030$ TWO PLACE (.00) $\pm .015$ THREE PLACE (.000) $\pm .005$ ANGLES $\pm$
	L288 L315 L318	WEIGHT .060 LB