

**MICRO SWITCH**  
a Honeywell Division

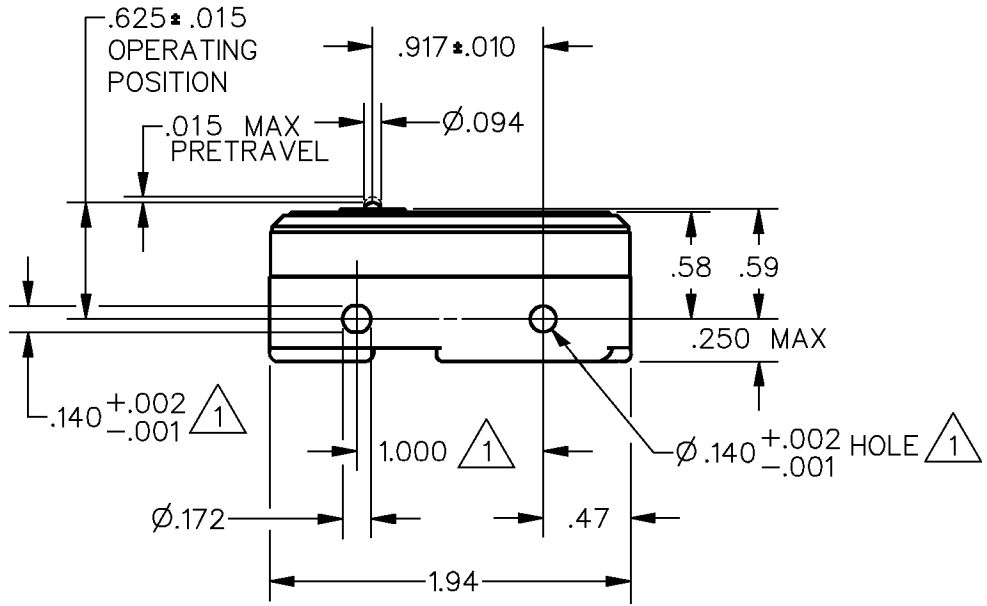
FED. MFG. CODE 91 929

**SWITCH - BASIC**

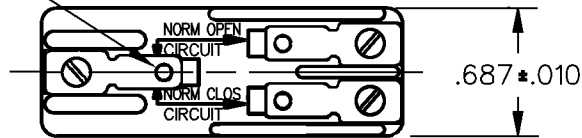
CATALOG LISTING  
**BM-1R373**

X111033-BM

CATALOG LISTING  
**BM-1R373**  
PAGE 1 OF 1  
REPLACES PR-23581  
RELEASE NO. PR-23581  
ISSUE **M**  
3



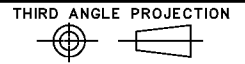
Ø.085 HOLE IN TERMINALS



NOTE  
 (1) MOUNTING HOLES WILL ACCEPT PINS OR SCREWS  
 OF Ø.139 MAX ON 1.000 ± .002 CENTERS

ANSI Y14.5M-1982 APPLIES

THIS DRAWING COVERS A PROPRIETARY ITEM AND IS THE PROPERTY OF MICRO SWITCH, A DIVISION OF HONEYWELL. THIS DRAWING IS NOT TO BE COPIED OR USED WITHOUT THE APPROVAL OF MICRO SWITCH.



CHARACTERISTICS	ELECTRICAL DATA	SCALE FULL	DO NOT SCALE PRINT
OPERATING FORCE — — — — 7- 10 OZ	CONTACT ARRANGEMENT S P D T	<b>UNLESS OTHERWISE SPECIFIED TOLERANCES ARE</b>	
RELEASE FORCE — — — — 4 OZ MIN	L161 22A-125, 250 OR 480 VAC 1/2HP-125 VAC; 1HP-250 VAC	ONE PLACE ( .0 )	± .030
DIFFERENTIAL TRAVEL — — .0005 — .0010		TWO PLACE ( .00 )	± .015
OVERTRAVEL — — — — .005 MIN	L288	THREE PLACE ( .000 )	± .005
	L315	ANGLES	±
	L318 22A 250V ~ T85 5E4	WEIGHT	.050 LB

REVISIONS  
 A CO-94212-C  
 DLT  
 7 SEP 99  
 B 0035411  
 JA  
 23NOV07  
 CHECK ASD 23NOV07  
 CHECK J A F 7 JUL 98  
 CHECK J A S 7 JUL 98  
 DRAWN RASTER