

MICRO SWITCH

A DIVISION OF MINNEAPOLIS-HONEYWELL REGULATOR COMPANY
FREEPORT, ILLINOIS

FED. MFR. CODE 91929

ACTUATOR - SWITCH

CATALOG LISTING

JE - 12

5

JE - 12

M

DRAWING NUMBER

ISSUE
X 5
8 A

REVISIONS

| | | | |
|---|---------|--------|--------|
| A | CO47771 | C.J.H. | MAY 80 |
| B | CO74078 | L.J.F. | NOV 92 |
| C | CO79303 | DLT | MAR 95 |
| D | CO84691 | DLT | APR 97 |

REPLACES

RELEASE NO. SR 7698

CHECK

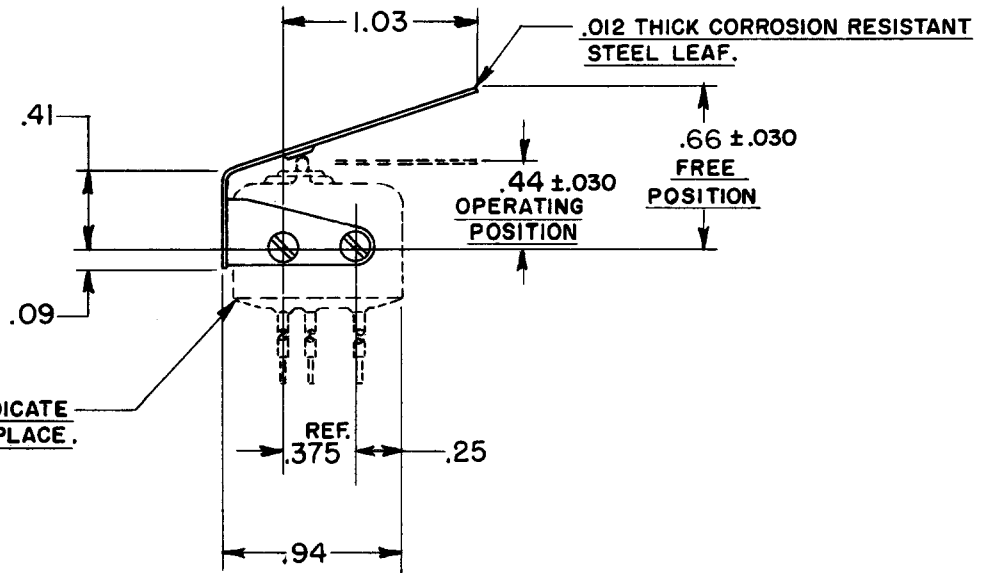
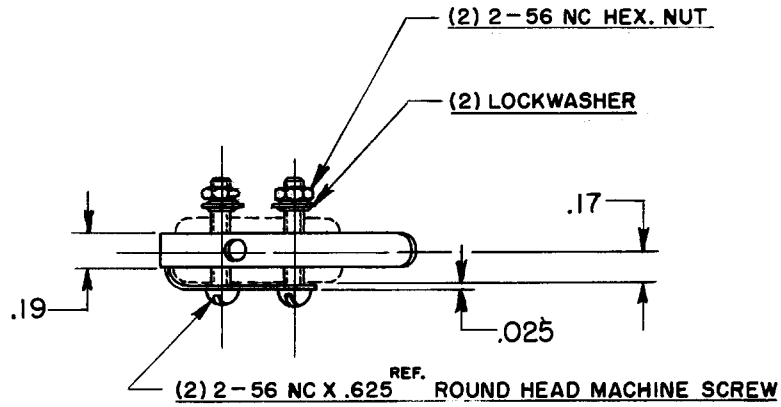
B.T.G. 30 July 58

CHECK

G.C.H. 29 July 58

CHECK

K. L. B. 29, JULY '58



NOTE -
1- SCREWS, NUTS, AND LOCKWASHERS FURNISHED UNASSEMBLED.

THIS DRAWING COVERS A PROPRIETARY ITEM AND IS THE PROPERTY OF MICRO SWITCH, A DIVISION OF MINNEAPOLIS-HONEYWELL REGULATOR CO. THIS DRAWING IS NOT TO BE COPIED OR USED WITHOUT THE APPROVAL OF MICRO SWITCH.

| CHARACTERISTICS | ELECTRICAL DATA | | SCALE FULL |
|-----------------|---------------------|----------------|---|
| | CONTACT ARRANGEMENT | BREAK DISTANCE | DO NOT SCALE PRINT |
| | | | UNLESS OTHERWISE SPECIFIED DIMENSIONS ARE IN INCHES TOLERANCES ARE: |
| | | | ONE PLACE (.0) ±.030 TWO PLACE (.00) ±.015 THREE PLACE (.000) ±.005 ANGLES ± |
| | | | WEIGHT |

FORMTEK

DRAWN

FO-50378