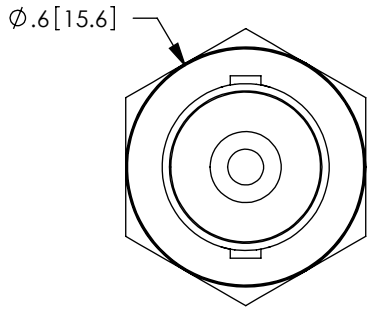
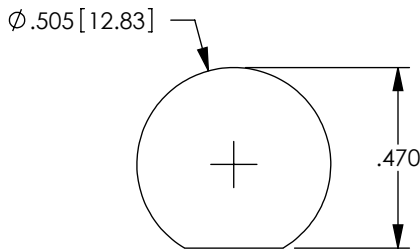
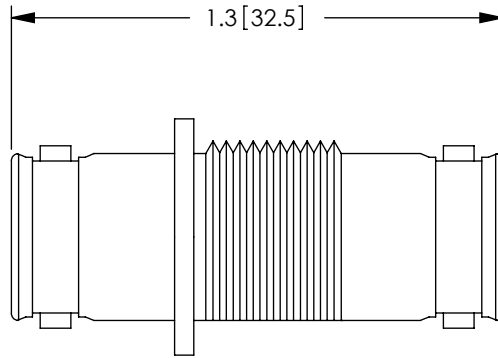


THE INFORMATION CONTAINED IN THIS DRAWING IS THE SOLE PROPERTY OF L-COM, INC. ANY REPRODUCTION IN PART OR WHOLE WITHOUT THE WRITTEN PERMISSION OF L-COM, INC. IS PROHIBITED.

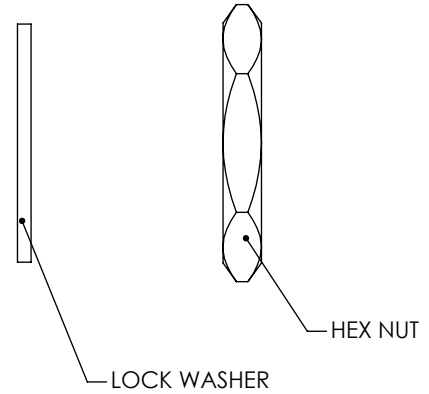
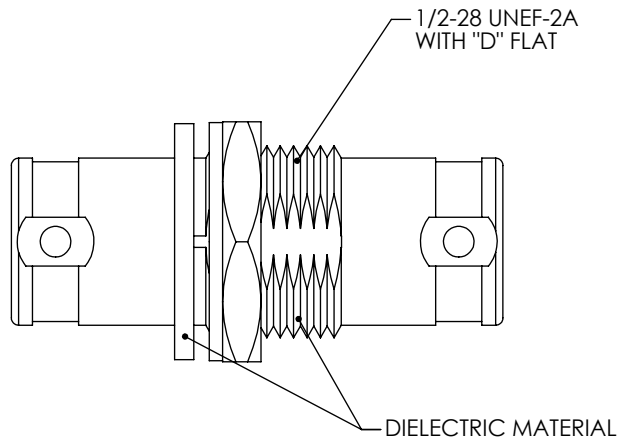
REVISIONS			
REV	DESCRIPTION	DATE	APPROVED
A	RELEASED FOR PRODUCTION	05/10/01	MCCORMICK
B	REVISED TOLERANCES PER ECN 1489	08/08/03	MCCORMICK
C	ECN 3112: UPDATE DWG FORMAT	12/13/07	D.GRIFFIN
D	ECN 4179: ADDED VOLTAGE RATING, CN RELEASE, NEW FORMAT	8/12/09	D.FRISIELLO



2X BNC JACK



RECOMMENDED PANEL OPENING



**SPECIFICATIONS;**

**MATERIALS:**  
SHELL: BRASS  
CONTACTS: BRASS  
INSULATOR: TEFLON

**FINISH:**  
CONTACT: GOLD

**ELECTRICAL:**  
CHARACTERISTIC IMPEDANCE: 50 OHMS  
VOLTAGE RATING: 36V

**PACKAGING:**  
COMPONENT SHALL BE INDIVIDUALLY PACKAGED IN ACCORDANCE WITH L-COM SPECIFICATION PS-0031.

**RoHS Compliant** ✓

UNLESS OTHERWISE SPECIFIED, DIMENSIONS ARE IN INCHES [mm]	APPROVALS	DATE		45 BEECHWOOD DRIVE NORTH ANDOVER, MA 01845
	DRAWN BY RON CARRICK	4/3/2001		
DIMENSIONAL TOLERANCES: .X = ±.1 .XX = ±.01 .XXX = ±.005	CHECKED BY MCCORMICK	05/10/01	CATEGORY <b>COAXIAL</b>	
	APPROVED BY D.PARHAM	05/10/01	PRODUCT DESCRIPTION <b>BNC JACK FEED-THRU ADAPTOR (INSULATED)</b>	
ANGULAR TOLERANCES: ALL = ± 1°	CONFIGURATION DETAILS OF UNDIMENSIONED FEATURES MAY VARY		SIZE <b>A</b>	FSCM NO. <b>43321</b>
PROJECTION 	COLOR VARIATIONS MAY OCCUR	DWG. NO. <b>BA1089</b>	REF	REV. <b>D</b>
		SCALE: NONE	CAD FILE: BA1089.SLDDRW	SHEET 1 OF 1