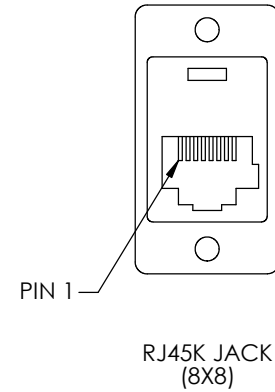
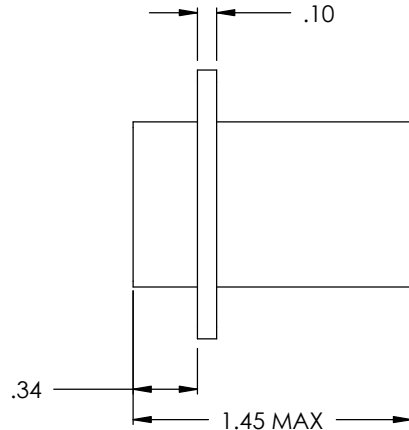
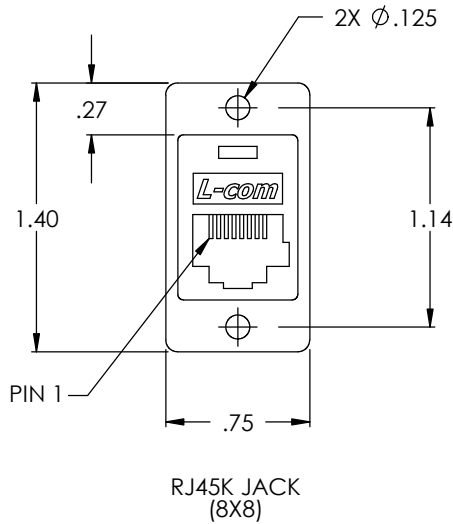


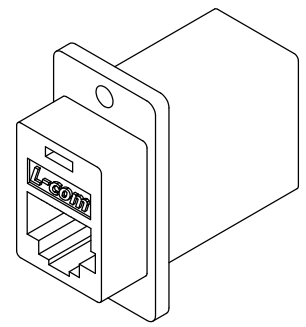
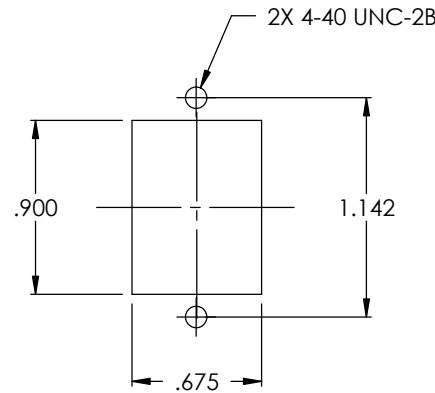
THE INFORMATION CONTAINED IN THIS DRAWING IS THE SOLE PROPERTY OF L-COM, INC. ANY REPRODUCTION IN PART OR WHOLE WITHOUT THE WRITTEN PERMISSION OF L-COM, INC. IS PROHIBITED.

REVISIONS			
REV	DESCRIPTION	DATE	APPROVED
A	RELEASED FOR PRODUCTION	05/04/01	MCCORMICK
B	ADDED PROD VALIDATION, DELETED METRIC DIMENSIONS (ECN1313)	02/26/03	DFF
C	ECN1622: ADDED COMPONENT SPECIFICATION TABLE	12/13/03	DFF



Component Specification	
Material	
Housing	ABS, UL94V-0 compliant Color: Ivory
Contacts	Phosphor Bronze
Contact Plating	Gold, 30 μinches over nickel plating
Design	
Jack	Compliant to mechanical requirements of FCC 68.5 Subpart F
Electrical	
Current Rating	2 Amp (max)
Voltage Rating	140 VDC
Environmental	
Operating Temperature Range	-20°C to +80°C
Application	
Rating	Category 3
Wiring	Straight Through

CS-152



APPROVALS	DATE
DRAWN BY McCORMICK	04/04/01
CHECKED BY D.PARHAM	05/04/01
APPROVED BY R.CARRICK	05/04/01

L-com 45 BEECHWOOD DRIVE
CONNECTIVITY PRODUCTS NORTH ANDOVER, MA 01845

PRODUCT DESCRIPTION
RJ45 (8 X 8) KEYED STRAIGHT WIRED COUPLER

DRAWING TITLE

OUTLINE DRAWING

UNLESS OTHERWISE SPECIFIED, DIMENSIONS ARE IN INCHES. TOLERANCES ARE:
.X ±.1
.XX ±.05
.XXX ±.005
CABLE LENGTH TOLERANCE
<300" ±5% >300" ±2%

CONFIGURATION DETAILS OF UNDIMENSIONED FEATURES MAY VARY

SIZE	FSCM NO.	DWG. NO.	REV.
A	43321	ECF504-8SK-OD1	C

SCALE: NONE CAD FILE: ECF504-8SK-OD1.SLDDRW SHEET 1 OF 1