

MICRO SWITCH

A DIVISION OF MINNEAPOLIS-HONEYWELL REGULATOR CO.
MINNEAPOLIS, MINN.

FED. MFR. CODE 91929

SWITCH - BASIC

CATALOG LISTING

BM-1R-A2

(M) BM-1R-A2
ISSUE 1

BM-1R-A2

M

DRAWING NUMBER

9

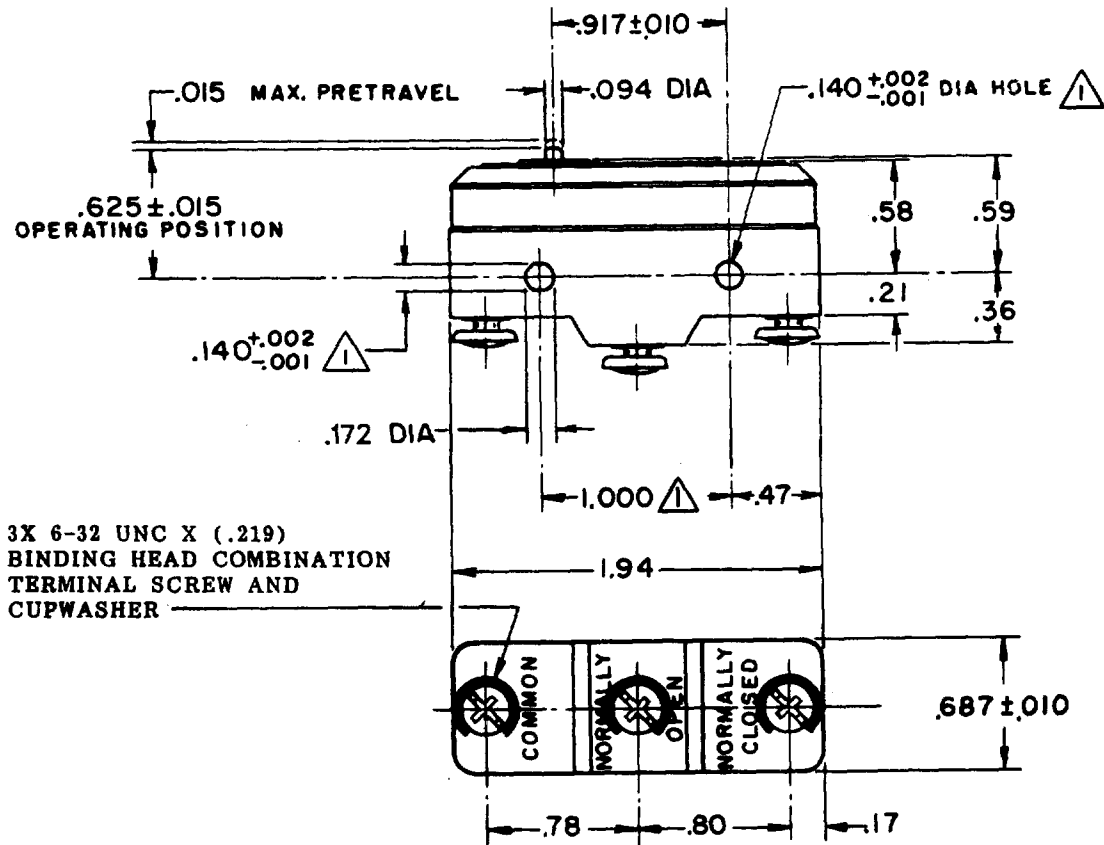
ISSUE

REPLACES
RELEASE NO. SR 9544
23NOV07
ASD

REVISIONS	CHECK	DATE
A CO0829	MARG	22 MAR 61
B CO0828	RLD	1 JUN 66
C CO32342	GLM	6 AUG 73
D CO45417	CJH	1 JAN 79
E CO73287-J	CO	22 NOV 93
F CO77589	KDR	29 MAR 94
G 0035411	JA	23NOV07

RASTER

0-50378



NOTE -
 - MOUNTING HOLES WILL ACCEPT PINS OR SCREWS OF .139 MAX DIA ON 1.000 ± .002 CENTERS

THIS DRAWING COVERS A PROPRIETARY ITEM AND IS THE PROPERTY OF MICRO SWITCH, A DIVISION OF MINNEAPOLIS-HONEYWELL REGULATOR CO. THIS DRAWING IS NOT TO BE COPIED OR USED WITHOUT THE APPROVAL OF MICRO SWITCH.

CHARACTERISTICS	ELECTRICAL DATA		SCALE FULL	
OPERATING FORCE ----- 7-10 OZ	CONTACT ARRANGEMENT S P D T	BREAK DISTANCE .010 MIN	DO NOT SCALE PRINT	
RELEASE FORCE ----- 4 OZ MIN	22 A - 125, 250, OR 480 VAC 1/2 HP - 125 VAC; 1 HP - 250 VAC L288 L315 L318		UNLESS OTHERWISE SPECIFIED DIMENSIONS ARE IN INCHES	
DIFFERENTIAL TRAVEL --- .0005-.0010			TOLERANCES ARE:	
OVERTRAVEL ----- .005 MIN			ONE PLACE (.1) ± .005 TWO PLACE (.00) ± .015 THREE PLACE (.000) ± .005 ANGLES ±	
	22A 250V ~ T85 5E4		WEIGHT .060 LB	

61 CHECK DAW 22 MAR 94