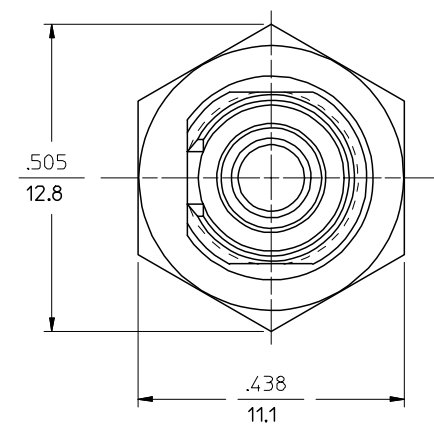
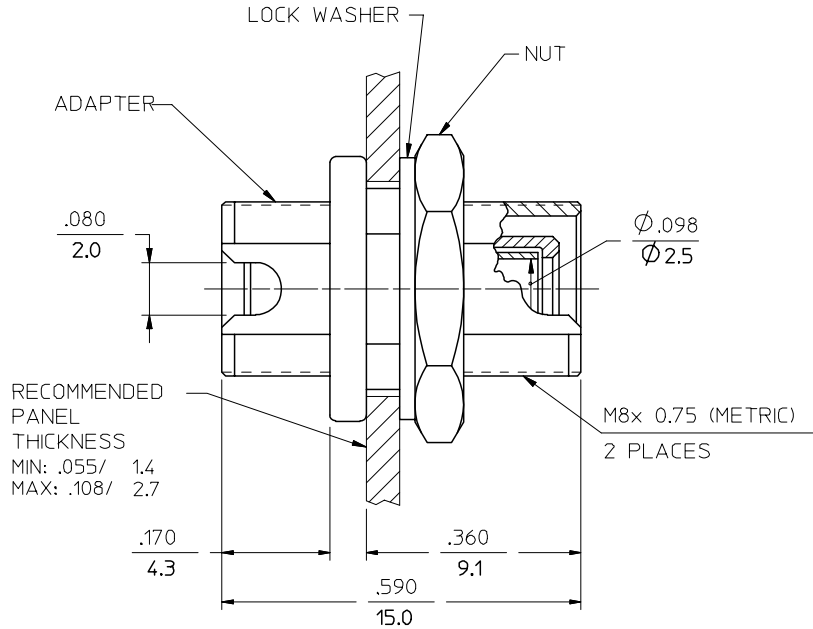
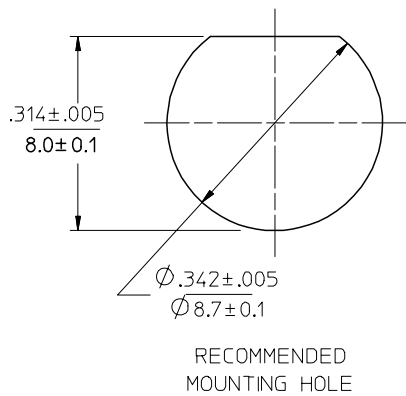


10	9	8	7	6	5	4	3	2	1
P/N OF ADAPTER	MATERIAL OF SLEEVE								
106152-3000	CERAMIC								
106156-3000	PHOSPHOR BRONZE								



NOTES:

- FOR PANEL THICKNESS .080 TO .108, ELIMINATE LOCK WASHER.
- DUST CAPS ARE NOT SHOWN, BUT INCLUDED.

ENTER DESCRIPTION EC NO: MF2007-0197 DRW: DRW/KPEVZNER CHKD: 2006/09/20 APPR: IGUMIN 2006/09/20	QUALITY SYMBOLS ▽=0 ▽=0	GENERAL TOLERANCES (UNLESS SPECIFIED)		DIMENSION STYLE IN/MM	SCALE 5:1	DESIGN UNITS INCH	THIRD ANGLE PROJECTION
		4 PLACES ± --- ± ---	3 PLACES ± --- ± ---	mm	INCH	DRAWN BY PGIBL IN	DATE 2005/10/25
REV A1	DESCRIPTION	2 PLACES ± --- ± ---	1 PLACE ± --- ± ---	APPROVED BY		DATE	
		ANGULAR ±1/2°		MATERIAL NO. SEE TABLE		DOCUMENT NO. SD-10615X-3000	
DRAFT WHERE APPLICABLE MUST REMAIN WITHIN DIMENSIONS		SIZE B		THIS DRAWING CONTAINS INFORMATION THAT IS PROPRIETARY TO MOLEX INCORPORATED AND SHOULD NOT BE USED WITHOUT WRITTEN PERMISSION			
						SHEET NO. 1 OF 01	