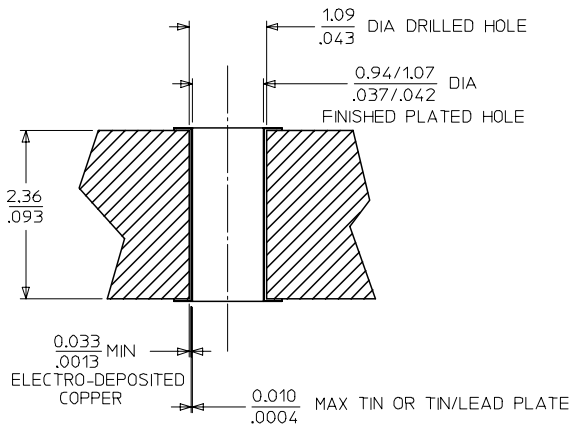
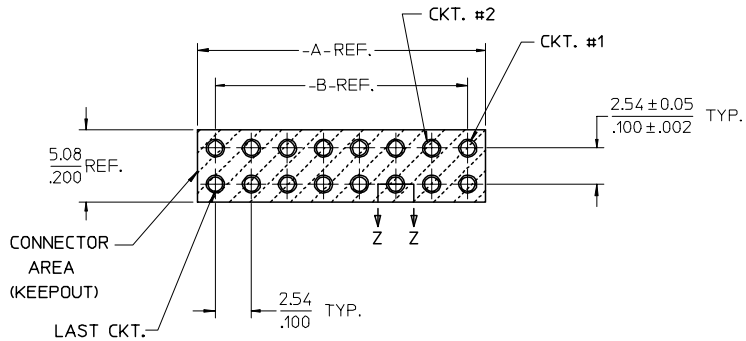


**NOTE FOR LEAD FREE CONVERSION:**

THE PRIMARY SHIPPING CARTON WILL BE LABELED "COMPLIANT TO ROHS DIRECTIVE 2002/95/EC AND ELV ANNEX II OF DIRECTIVE 2000/53/EC". CARTONS WITHOUT THIS LABEL MAY CONTAIN PRODUCT WITH LEAD.



**SECTION Z-Z**  
SCALE: 20/1



**RECOMMENDED PCB LAYOUT**  
(COMPONENT SIDE)

**NOTES:**

- 1. MATERIAL:**  
INSULATOR: 30 % GLASS FILLED LCP, UL94V-0, COLOR: BLACK,  
TERMINAL: COPPER ALLOY.
- 2. FINISH:**  
INSULATOR: NONE,  
TERMINAL: PLATING (SEE CHART):  
\*A\*- SELECT GOLD (0.76 MICROMETERS)/30 MICROINCHES MINIMUM,  
SELECT TIN/LEAD (2.54 MICROMETERS)/100 MICROINCHES MINIMUM,  
OVER NICKEL.\*  
\*B\*- SELECT GOLD (0.38 MICROMETERS)/15 MICROINCHES MINIMUM,  
SELECT TIN/LEAD (2.54 MICROMETERS)/100 MICROINCHES MINIMUM,  
OVER NICKEL.\*  
\*C\*- TIN (5.08 MICROMETERS)/200 MICROINCHES MINIMUM OVER NICKEL.
- 3. PRODUCT SPECIFICATION:** PS-75100-001.
- 4. PACKAGING SPECIFICATION:** PK-70873-0353.
- 5. RECOMMENDED PCB THICKNESS:** (2.36)/.093 MINIMUM
- 6. THIS PART CONFORMS TO CLASS B REQUIREMENTS OF COSMETIC SPEC PS-45499-002.**

CIRCUIT SIZE	DIM -A-	DIM -B-
4	4.83/1.190	2.54/1.100
6	7.37/2.90	5.08/2.00
8	9.91/3.90	7.62/3.00
10	12.45/4.90	10.16/4.00
12	14.99/5.90	12.70/5.00
14	17.53/6.90	15.24/6.00
16	20.07/7.90	17.78/7.00
18	22.61/8.90	20.32/8.00
20	25.15/9.90	22.86/9.00
22	27.69/10.90	25.40/10.00
24	30.23/11.90	27.94/11.00
26	32.77/12.90	30.48/12.00
28	35.31/13.90	33.02/13.00
30	37.85/14.90	35.56/14.00
32	40.39/15.90	38.10/15.00
34	42.93/16.90	40.64/16.00
36	45.47/17.90	43.18/17.00
38	48.01/18.90	45.72/18.00
40	50.55/19.90	48.26/19.00
42	53.09/20.90	50.80/20.00
44	55.63/21.90	53.34/21.00
46	58.17/22.90	55.88/22.00
48	60.71/23.90	58.42/23.00
50	63.25/24.90	60.96/24.00
52	65.79/25.90	63.50/25.00
54	68.33/26.90	66.04/26.00
56	70.87/27.90	68.58/27.00
58	73.41/28.90	71.12/28.00
60	75.95/29.90	73.66/29.00
62	78.49/30.90	76.20/30.00
64	81.03/31.90	78.74/31.00
66	83.57/32.90	81.28/32.00
68	86.11/33.90	83.82/33.00
70	88.65/34.90	86.36/34.00
72	91.19/35.90	88.90/35.00
74	93.73/36.90	91.44/36.00
76	96.27/37.90	93.98/37.00
78	98.81/38.90	96.52/38.00
80	101.35/39.90	99.06/39.00

GENERAL DOCS	ANNOTATOR	SOFTWARE	REV	SHEET
E	F			
2-3	1			

REV	DESCRIPTION	QUALITY SYMBOLS
1	ADD SECTION Z-Z	▽ = 0
2	EC NO: UCP2007-1133	▽ = 0
3	DRWING: SBARR 006/12/05	
4	CHK: SMILLER 2006/12/14	
5	APPR: BVEAZIE 2006/12/14	

GENERAL TOLERANCES (UNLESS SPECIFIED)	SCALE	DESIGN UNITS
4 PLACES ± --- ± ---	4:1	INCH
3 PLACES ± --- ± .010		
2 PLACES ± 0.25 ± ---		
1 PLACE ± --- ± ---		
ANGULAR ± 1/2 °		

DIMENSION STYLE	DRAWN BY	DATE
MM/IN	MARGULIS	002/03/11
	CHECKED BY	DATE
	MARGULIS	002/03/11
	APPROVED BY	DATE
	FRY	2002/03/11

THIRD ANGLE PROJECTION	REVISE ON CAD ONLY
THIRD ANGLE PROJECTION	REVISE ON CAD ONLY
.100 DUAL ROW HEADER WITH CPI TERMINALS	
MOLEX INCORPORATED	
MATERIAL NO. SEE CHART ON SHEET 2	DOCUMENT NO. SD-75102-001
SHEET NO. 1 OF 3	

**CGRID 100 HEADER DUAL ROW  
.COMPLIANT PIN**

DIM M:	6.10/.240
DIM P:	4.75/.187
PLATING:	"A" – 30 GOLD
GOLD AREA DIM D:	5.08/.200
TIN AREA:	4.75/.187
VOID CKT:	NONE
PACKAGING:	PK-70873-0353

DIM M:	6.10/.240
DIM P:	4.75/.187
PLATING:	"B" – 15 GOLD
GOLD AREA DIM D:	5.08/.200
TIN AREA:	4.75/.187
VOID CKT:	NONE
PACKAGING:	PK-70873-0353

DIM M:	6.10/.240
DIM P:	4.75/.187
PLATING:	"C" - TIN
GOLD AREA DIM D:	N/A
TIN AREA:	OVERALL
VOID CKT:	NONE
PACKAGING:	PK-70873-0353

CKT	MATERIAL NO.	CKT	MATERIAL NO.
--	--	42	75102-0020
04	75102-0001	44	75102-0021
06	75102-0002	46	75102-0022
08	75102-0003	48	75102-0023
10	75102-0004	50	75102-0024
12	75102-0005	52	75102-0025
14	75102-0006	54	75102-0026
16	75102-0007	56	75102-0027
18	75102-0008	58	75102-0028
20	75102-0009	60	75102-0029
22	75102-0010	62	75102-0030
24	75102-0011	64	75102-0031
26	75102-0012	66	75102-0032
28	75102-0013	68	75102-0033
30	75102-0014	70	75102-0034
32	75102-0015	72	75102-0035
34	75102-0016	74	75102-0036
36	75102-0017	76	75102-0037
38	75102-0018	78	75102-0038
40	75102-0019	80	75102-0039

CKT	MATERIAL NO.	CKT	MATERIAL NO.
--	--	42	75102-0059
04	75102-0040	44	75102-0060
06	75102-0041	46	75102-0061
08	75102-0042	48	75102-0062
10	75102-0043	50	75102-0063
12	75102-0044	52	75102-0064
14	75102-0045	54	75102-0065
16	75102-0046	56	75102-0066
18	75102-0047	58	75102-0067
20	75102-0048	60	75102-0068
22	75102-0049	62	75102-0069
24	75102-0050	64	75102-0070
26	75102-0051	66	75102-0071
28	75102-0052	68	75102-0072
30	75102-0053	70	75102-0073
32	75102-0054	72	75102-0074
34	75102-0055	74	75102-0075
36	75102-0056	76	75102-0076
38	75102-0057	78	75102-0077
40	75102-0058	80	75102-0078

CKT	MATERIAL NO.	CKT	MATERIAL NO.
--	--	42	75102-0098
04	75102-0079	44	75102-0099
06	75102-0080	46	75102-0100
08	75102-0081	48	75102-0101
10	75102-0082	50	75102-0102
12	75102-0083	52	75102-0103
14	75102-0084	54	75102-0104
16	75102-0085	56	75102-0105
18	75102-0086	58	75102-0106
20	75102-0087	60	75102-0107
22	75102-0088	62	75102-0108
24	75102-0089	64	75102-0109
26	75102-0090	66	75102-0110
28	75102-0091	68	75102-0111
30	75102-0092	70	75102-0112
32	75102-0093	72	75102-0113
34	75102-0094	74	75102-0114
36	75102-0095	76	75102-0115
38	75102-0096	78	75102-0116
40	75102-0097	80	75102-0117

**NOTE: SHEET 1 IS AN ANNOTATOR DOCUMENT**

REV: <b>E</b>	SEE SHT 1	TITLE: <b>.100 DUAL ROW HEADER WITH CPI TERMINALS</b>	SHEET No. <b>2</b>
------------------	-----------	--	-----------------------

DOCUMENT NUMBER: <b>SD- 75102-001</b>	CREATED / REVISED BY: <b>SAMIEC</b>	CHECKED BY: <b>MARGULIS</b>	APPROVED BY: <b>MARGULIS</b>
--	--	--------------------------------	---------------------------------

## CGRID 100 HEADER DUAL ROW .COMPLIANT PIN

DIM M:	6.10/.240
DIM P:	4.75/.187
PLATING:	"A" – 30 GOLD
GOLD AREA DIM D:	5.08/.200
TIN AREA:	4.75/.187
VOID CKT:	37
PACKAGING:	PK-70873-0353

DIM M:	6.10/.240
DIM P:	4.75/.187
PLATING:	"A" – 30 GOLD
GOLD AREA DIM D:	5.08/.200
TIN AREA:	4.75/.187
VOID CKT:	28
PACKAGING:	PK-70873-0353

DIM M:	6.10/.240
DIM P:	4.75/.187
PLATING:	"A" – 30 GOLD
GOLD AREA DIM D:	5.08/.200
TIN AREA:	4.75/.187
VOID CKT:	10
PACKAGING:	PK-70873-0353

CKT	MATERIAL NO.	CKT	MATERIAL NO.
--	--	42	75102-0121
04	--	44	75102-0122
06	--	46	75102-0123
08	--	48	75102-0124
10	--	50	75102-0125
12	--	52	75102-0126
14	--	54	75102-0127
16	--	56	75102-0128
18	--	58	75102-0129
20	--	60	75102-0130
22	--	62	75102-0131
24	--	64	75102-0132
26	--	66	75102-0133
28	--	68	75102-0134
30	--	70	75102-0135
32	--	72	75102-0136
34	--	74	75102-0137
36	--	76	75102-0138
38	75102-0118	78	75102-0139
40	75102-0120	80	75102-0140

CKT	MATERIAL NO.	CKT	MATERIAL NO.
--	--	42	75102-0147
04	--	44	75102-0148
06	--	46	75102-0149
08	--	48	75102-0150
10	--	50	75102-0151
12	--	52	75102-0152
14	--	54	75102-0153
16	--	56	75102-0154
18	--	58	75102-0155
20	--	60	75102-0156
22	--	62	75102-0157
24	--	64	75102-0158
26	--	66	75102-0159
28	75102-0141	68	75102-0160
30	75102-0142	70	75102-0161
32	75102-0143	72	75102-0162
34	75102-0144	74	75102-0163
36	75102-0145	76	75102-0164
38	75102-0119	78	75102-0165
40	75102--0146	80	75102-0166

CKT	MATERIAL NO.	CKT	MATERIAL NO.
--	--	42	75102-0183
04	--	44	75102-0184
06	--	46	75102-0185
08	--	48	75102-0186
10	75102-0167	50	75102-0187
12	75102-0168	52	75102-0188
14	75102-0169	54	75102-0189
16	75102-0170	56	75102-0190
18	75102-0171	58	75102-0191
20	75102-0172	60	75102-0192
22	75102-0173	62	75102-0193
24	75102-0174	64	75102-0194
26	75102-0175	66	75102-0195
28	75102-0176	68	75102-0196
30	75102-0177	70	75102-0197
32	75102-0178	72	75102-0198
34	75102-0179	74	75102-0199
36	75102-0180	76	75102-0200
38	75102-0181	78	75102-0201
40	75102-0182	80	75102-0202

REV: <b>E</b>	SEE SHT 1	TITLE: <b>.100 DUAL ROW HEADER WITH CPI TERMINALS</b>	SHEET No. <b>3</b>
DOCUMENT NUMBER: <b>SD- 75102-001</b>	CREATED / REVISED BY: <b>SAMIEC</b>	CHECKED BY: <b>MARGULIS</b>	APPROVED BY: <b>MARGULIS</b>

**CGRID 100 HEADER DUAL ROW  
.COMPLIANT PIN**

DIM M:	6.10/.240
DIM P:	4.75/.187
PLATING:	"A" – 50 GOLD
GOLD AREA DIM D:	5.08/.200
TIN AREA:	4.75/.187
VOID CKT:	NONE
PACKAGING:	PK-70873-0353

DIM M:	
DIM P:	
PLATING:	
GOLD AREA DIM D:	
TIN AREA:	
VOID CKT:	
PACKAGING:	

DIM M:	
DIM P:	
PLATING:	
GOLD AREA DIM D:	
TIN AREA:	
VOID CKT:	
PACKAGING:	

CKT	MATERIAL NO.	CKT	MATERIAL NO.
--	--	42	75102-0222
04	75102-0203	44	75102-0223
06	75102-0204	46	75102-0224
08	75102-0205	48	75102-0225
10	75102-0206	50	75102-0226
12	75102-0207	52	75102-0227
14	75102-0208	54	75102-0228
16	75102-0209	56	75102-0229
18	75102-0210	58	75102-0230
20	75102-0211	60	75102-0231
22	75102-0212	62	75102-0232
24	75102-0213	64	75102-0233
26	75102-0214	66	75102-0234
28	75102-0215	68	75102-0235
30	75102-0216	70	75102-0236
32	75102-0217	72	75102-0237
34	75102-0218	74	75102-0238
36	75102-0219	76	75102-0239
38	75102-0220	78	75102-0240
40	75102-0221	80	75102-0241

CKT	MATERIAL NO.	CKT	MATERIAL NO.
--	--	42	
04		44	
06		46	
08		48	
10		50	
12		52	
14		54	
16		56	
18		58	
20		60	
22		62	
24		64	
26		66	
28		68	
30		70	
32		72	
34		74	
36		76	
38		78	
40		80	

CKT	MATERIAL NO.	CKT	MATERIAL NO.
--	--	42	
04		44	
06		46	
08		48	
10		50	
12		52	
14		54	
16		56	
18		58	
20		60	
22		62	
24		64	
26		66	
28		68	
30		70	
32		72	
34		74	
36		76	
38		78	
40		80	

**NOTE: SHEET 1 IS AN ANNOTATOR DOCUMENT**

REV: <b>E</b>	SEE SHT 1	TITLE: <b>.100 DUAL ROW HEADER WITH CPI TERMINALS</b>	SHEET No. <b>4</b>
DOCUMENT NUMBER: <b>SD- 75102-001</b>	CREATED / REVISED BY: <b>SAMIEC</b>	CHECKED BY: <b>MARGULIS</b>	APPROVED BY: <b>MARGULIS</b>