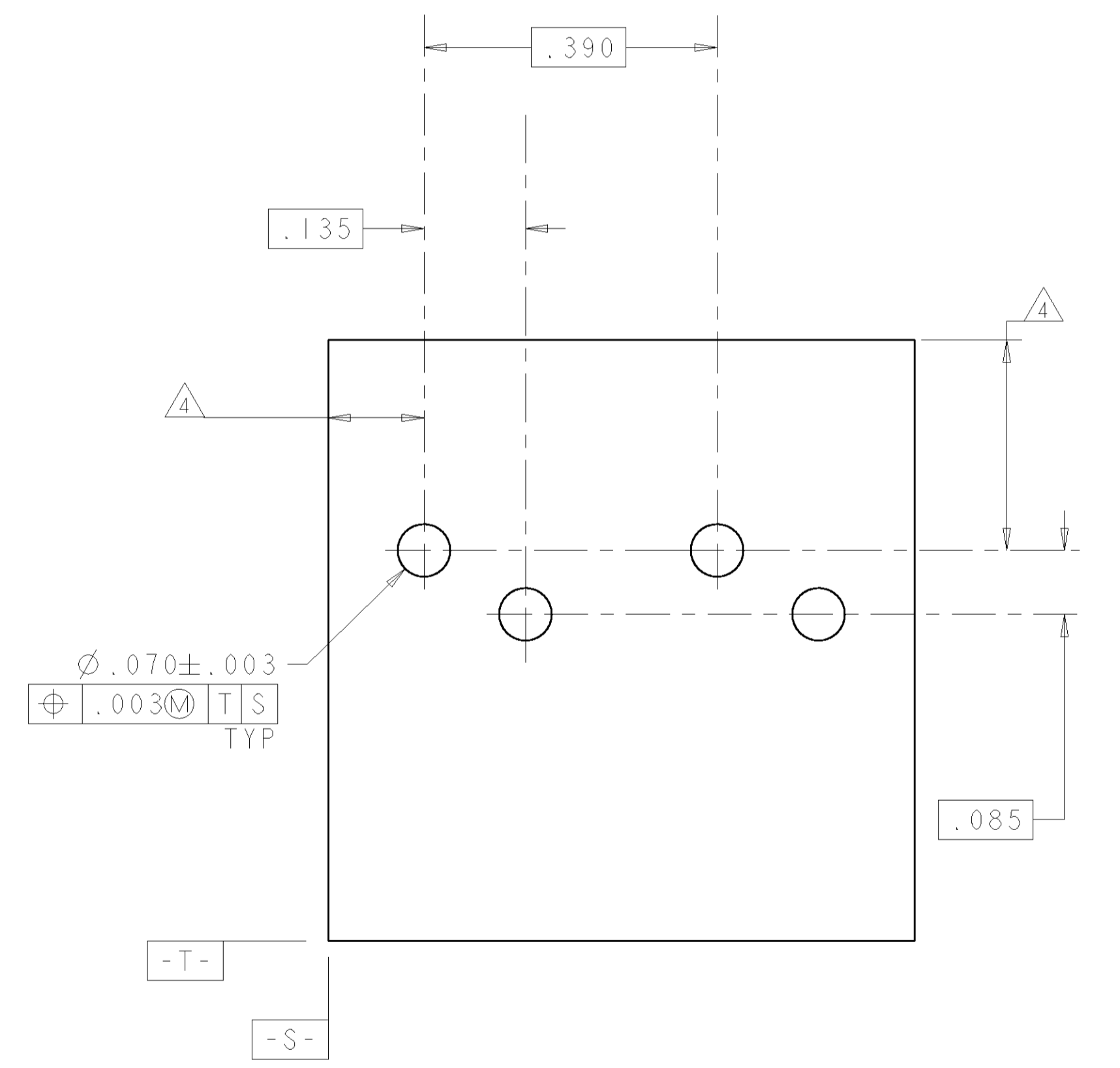
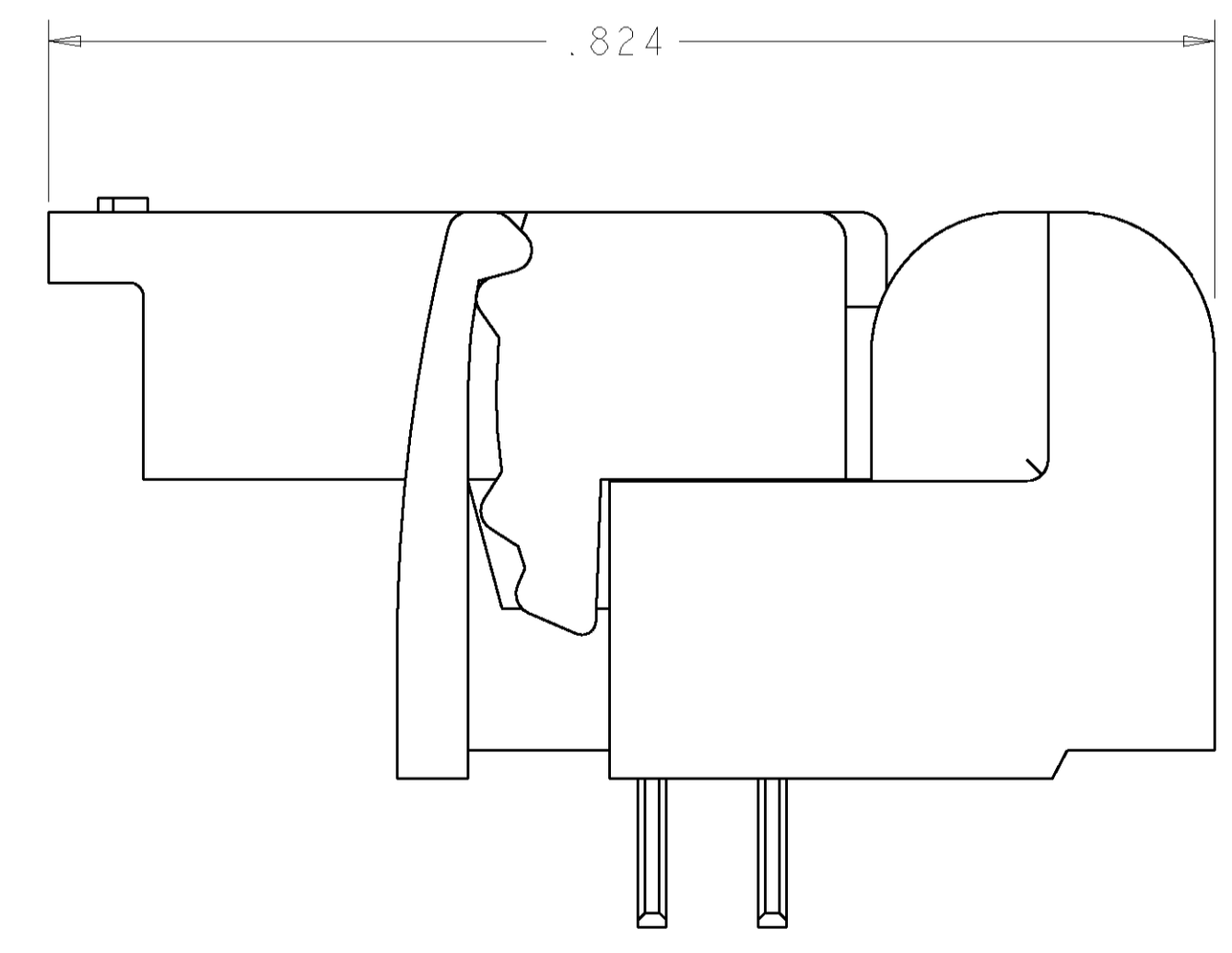
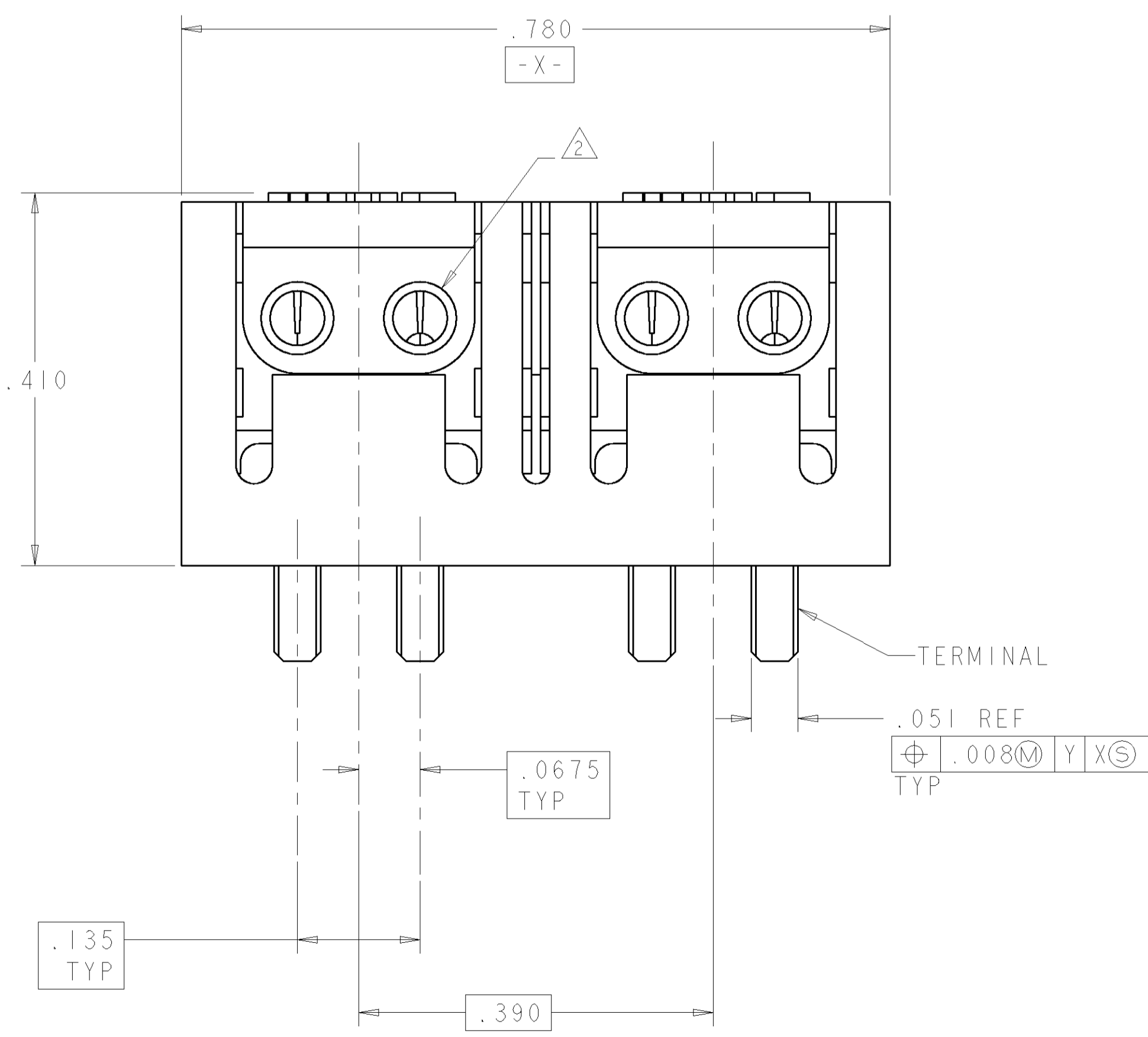


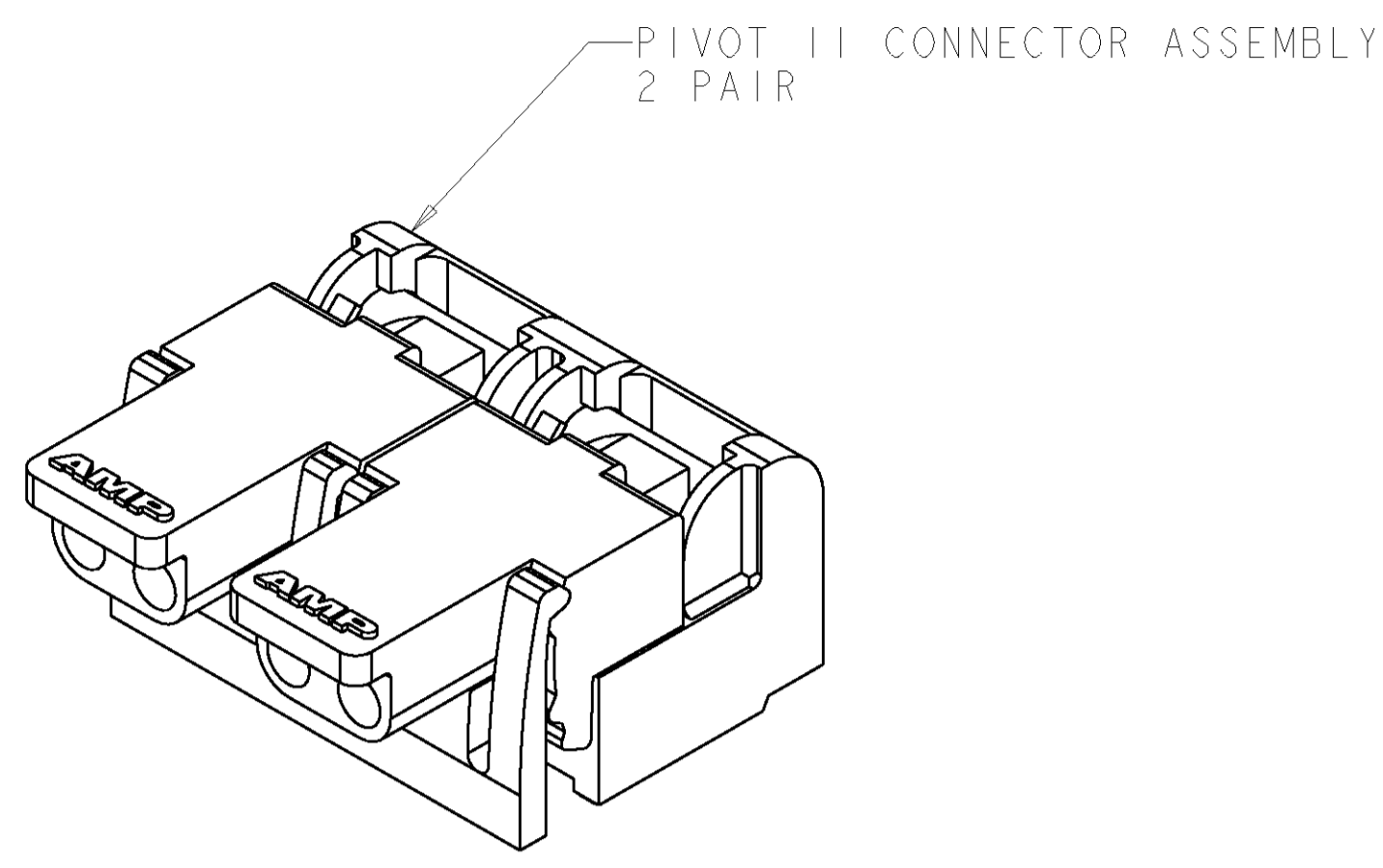
- 1 MATERIAL: BASE - POLYESTER MOLDING COMPOUND, BLACK. WIRE STUFFER - POLYCARBONATE MOLDING COMPOUND, SEE TABLE FOR COLOR. TERMINAL - COPPER ALLOY, PLATED WITH 3.81µm MINIMUM THICK TIN OVER 1.27µm MINIMUM THICK NICKEL UNDERPLATE.
- 2 EACH WIRE ENTRY HOLE ACCEPTS ONE UNSTRIPPED SOLID COPPER 22-26 AWG WIRE WITH WIRE INSULATION DIAMETER RANGE FROM .060 THROUGH .040. OTHER WIRE SIZES AND TYPES SHALL BE SUBMITTED TO AMP ENGINEERS FOR APPLICATION APPROVAL.
- 3. SOLDER TABS PROVIDED FOR PERMANENT BOARD MOUNTING.
- 4 LOCATION OF HOLE PATTERN DETERMINED BASED ON CUSTOMER REQUIREMENTS.



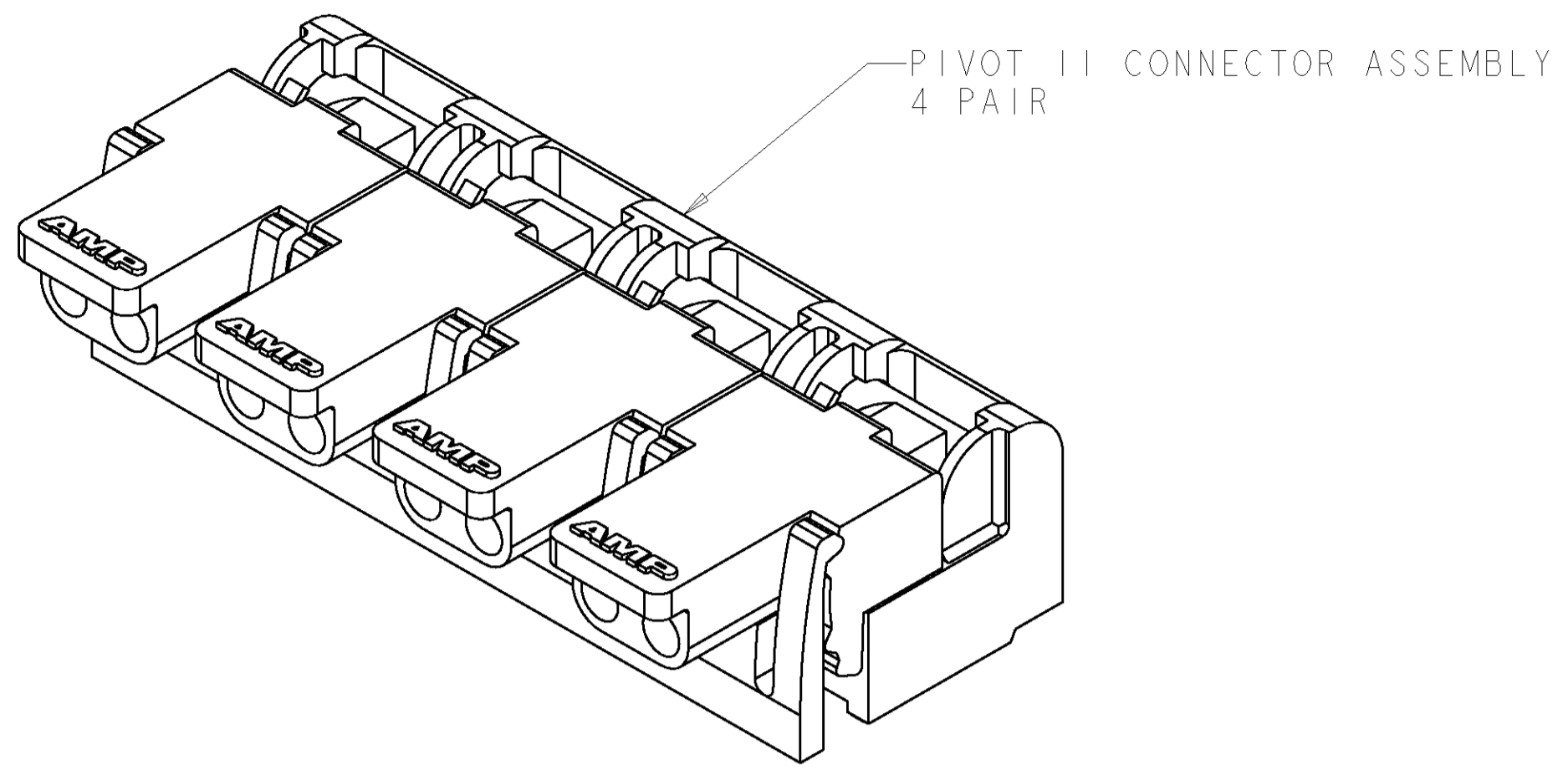
SUGGESTED PRINTED CIRCUIT BOARD MOUNTING DIMENSIONS (VIEWED FROM SOLDER SIDE)

DOUBLE	WHITE	4 PAIR, SH 2	1339376-3
SINGLE	CLEAR	4 PAIR, SH 2	1339376-2
SINGLE	CLEAR	AS SHOWN	1339376-1
ENTRY BASE	STUFFER COLOR	DESCRIPTION	PART NUMBER

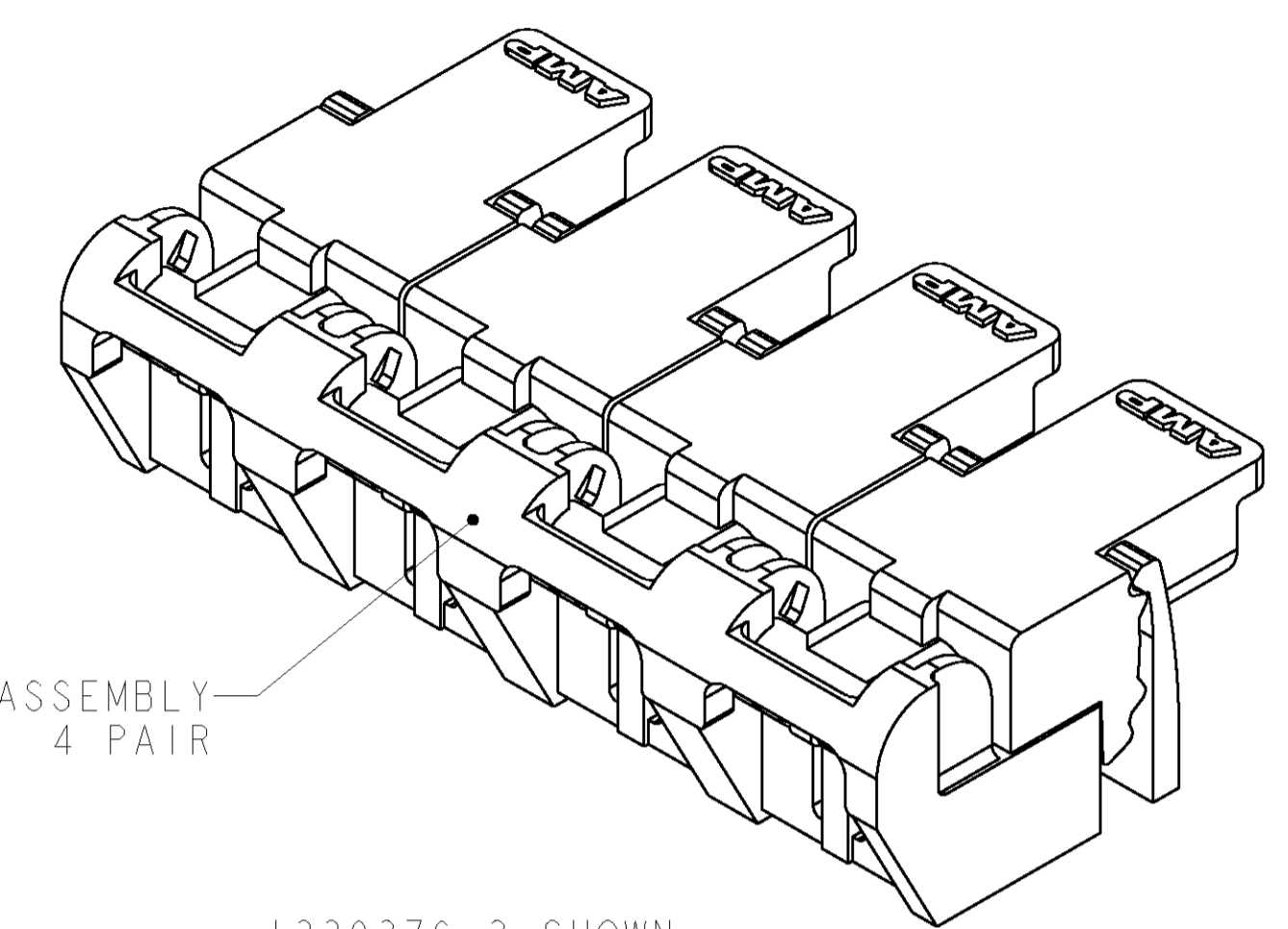
DIMENSIONS: INCHES		TOLERANCES UNLESS OTHERWISE SPECIFIED:		DRAWN: J. AHERON 30NOV00		CHK: S. ROBERTSON 30NOV00		APPR: S. ROBERTSON 30NOV00		NAME: ASSEMBLY, SINGLE ENTRY, PIVOT II CONNECTOR	
ϕ .003 .010 .015 .020 .030 .040 .050 .060 .070 .080 .090 .100 .125 .150 .175 .200 .250 .300 .375 .450 .500 .562 .625 .750 .875 1.000 1.125 1.250 1.500 1.750 2.000 2.500 3.000 3.500 4.000 5.000 6.000 7.000 8.000 9.000 10.000		0 PLC ± 1 PLC ±.01 2 PLC ±.01 3 PLC ±.01 4 PLC ±.005 ANGLES ±° FINISH -		PRODUCT SPEC APPLICATION SPEC WEIGHT CUSTOMER DRAWING		SIZE: A1 CAGE CODE: 00779 DRAWING NO: 1339376		SCALE: 6:1 SHEET: 1 OF 2 REV: F1		TE Connectivity	



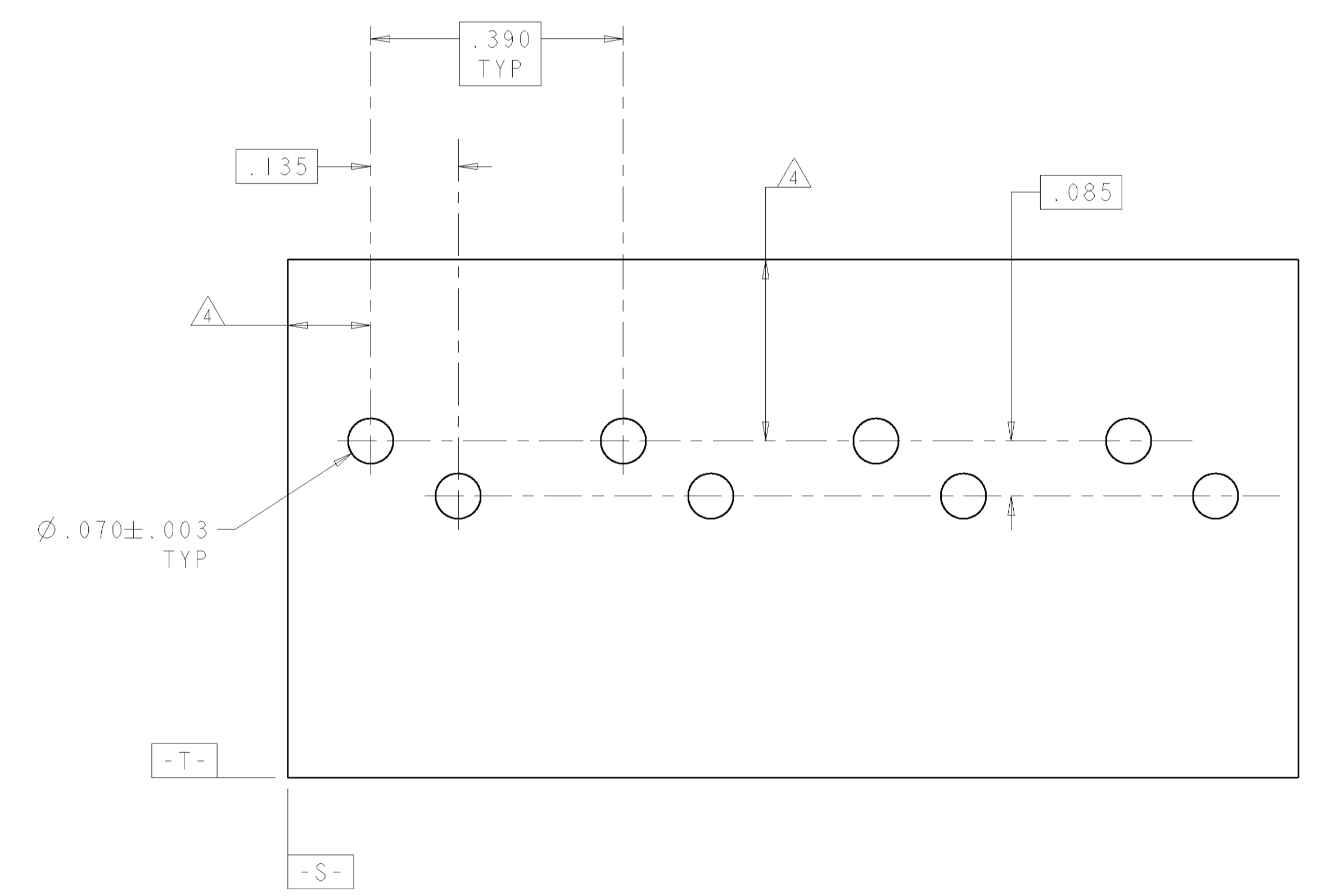
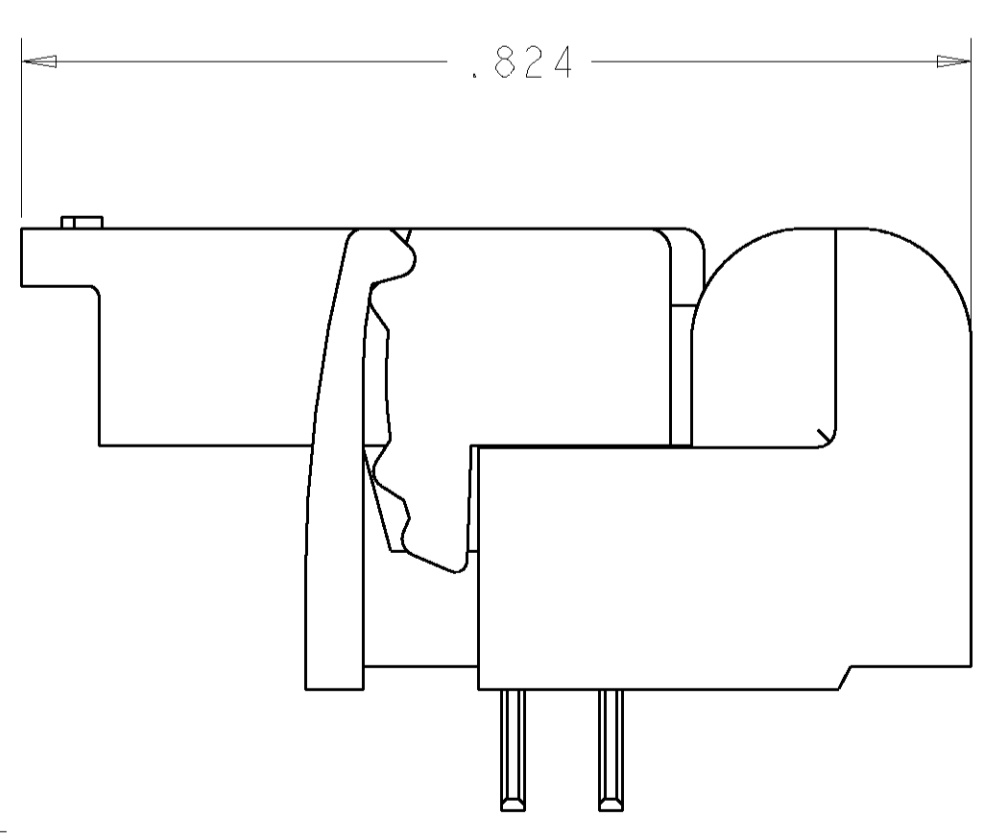
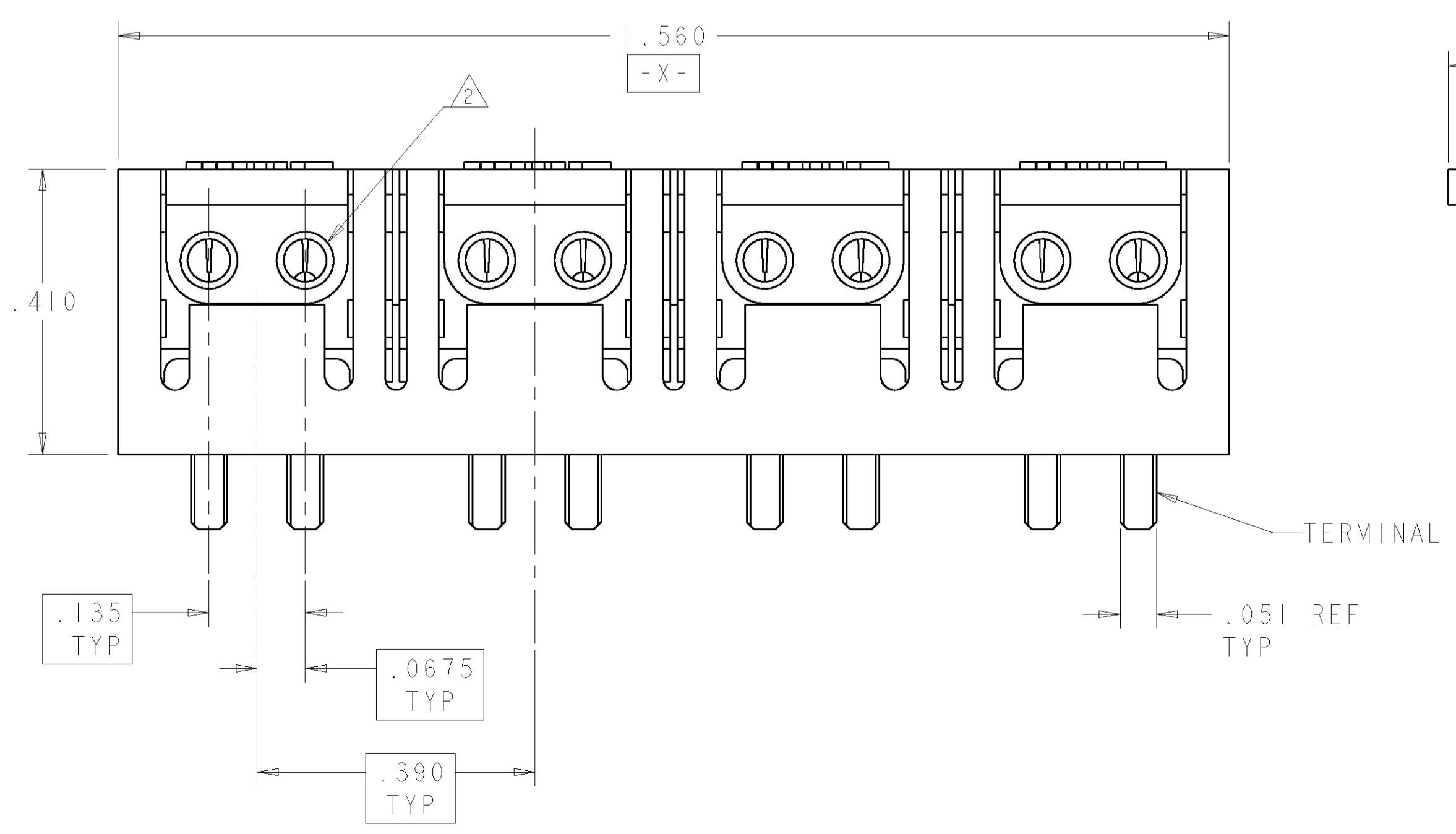
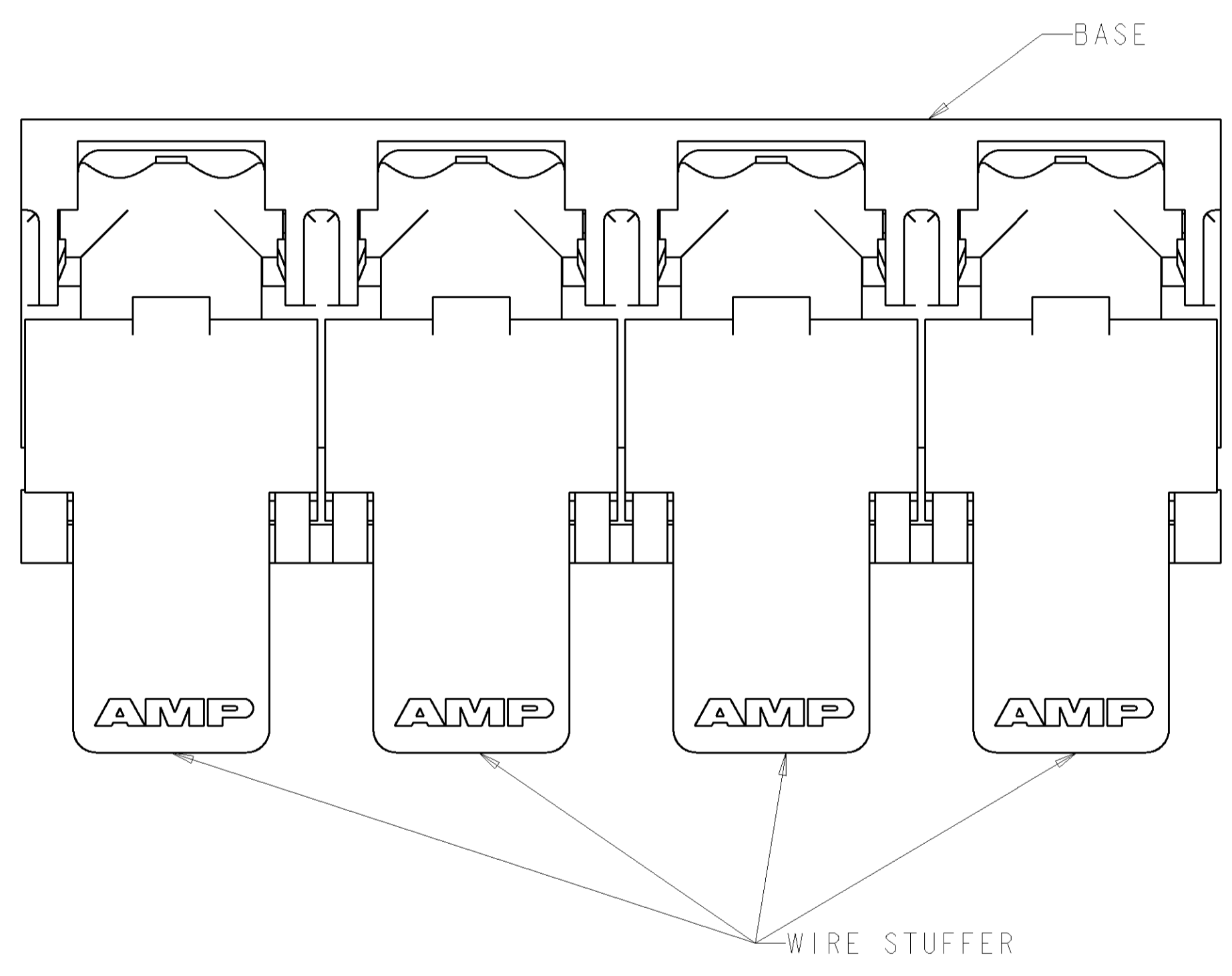
1339376-1 SHOWN
SCALE 4:1



1339376-2 SHOWN
SCALE 4:1



1339376-3 SHOWN
(WITH DOUBLE ENTRY)
SCALE 4:1



SUGGESTED PRINTED CIRCUIT BOARD
MOUNTING DIMENSIONS
(VIEWED FROM SOLDER SIDE)

DIMENSIONS: INCHES		TOLERANCES UNLESS OTHERWISE SPECIFIED:		DWN: J. AHERN 30NOV00		TE Connectivity	
		0 PLC ±	1 PLC ±.01	CEN: S. ROBERTSON 30NOV00		NAME: ASSEMBLY, SINGLE ENTRY, PIVOT II CONNECTOR	
		2 PLC ±.01	3 PLC ±.005	APPR: S. ROBERTSON 30NOV00		SIZE: A1	
		4 PLC ±	ANGLES ±	PRODUCT SPEC: -		CAGE CODE: 00779	
MATERIAL: -		FINISH: -		APPLICATION SPEC: -		DRAWING NO: 1339376	
				WEIGHT: -		SCALE: 6:1	
				CUSTOMER DRAWING		SHEET 2 OF 2	
						REV F1	